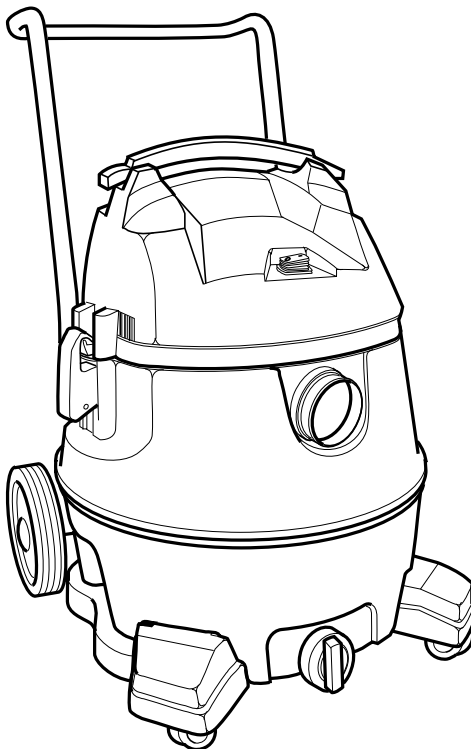


OWNER'S MANUAL

14 GALLON
SMART-PULSE VACUUM

RV34100



QUESTIONS OR COMMENTS? CONTACT US AT

www.ridgidvac.com

In the U.S. and Canada, Call 1-800-4-RIDGID

In Mexico, Call 01-800-701-9811

▲ WARNING:

To reduce the risk of injury, the user must read and understand the owner's manual before using this product.

Thank you for buying a RIDGID product.

• Español - página 21

• Français - page 41

SAVE THIS MANUAL FOR FUTURE REFERENCE

Table of Contents

Section	Page	Section	Page
Important Safety Instructions	2	Optional Dust Collection Bags	11
Safety Signal Words	2	Vacuuming Liquids	11
Grounding Instructions	4	Emptying the Drum	12
Introduction	5	Blowing Feature	12
Unpacking and Checking		Moving the Wet/Dry Vac.	12
Carton Contents	6	Diffuser	13
Vac Assembly	7	Static-Dissipating Accessory Hose	13
Caddy Assembly	8-9	Maintenance	13-15
Operation	10-12	Repair Parts	16-19
Vacuuming Dry Material	11	Warranty	20

IMPORTANT SAFETY INSTRUCTIONS

Safety is a combination of using common sense, staying alert, and knowing how your Vacuum cleaner (“Vac”) works.

Safety Signal Words

▲ DANGER: Indicates a hazardous situation which, if not avoided, will result in death or serious injury.

▲ WARNING: Indicates a hazardous situation which, if not avoided, could result in death or serious injury.

▲ CAUTION: Indicates a hazardous situation which, if not avoided, could result in minor or moderate injury.

When using your Vac, always follow basic safety precautions including the following:

▲ WARNING

- To reduce the risk of fire, electric shock, or injury:

- Read and understand this manual and all labels on the Vac before operating.
- Use only as described in this manual.
- Do not leave Vac running while unattended - you may fail to notice important signs indicating abnormal operation such as loss of suction, debris exiting exhaust, or abnormal motor noises. Immediately stop using Vac if you notice these signs.
- Do not leave Vac when plugged in. Unplug from outlet when not in use and before servicing.
- Sparks inside the motor can ignite flammable vapors or dust. To reduce the risk of fire or explosion, do not use near combustible liquids, gases, or dusts, such as gasoline or other fuels, lighter fluid, cleaners, oil-based paints,

natural gas, coal dust, magnesium dust, grain dust, aluminum dust, or gun powder.

- Do not vacuum anything that is burning or smoking, such as cigarettes, matches, or hot ashes.
- This Vac is not intended for EPA RRP cleanup.
- Extremely small particles may pass through the filter. Always wear appropriate protective safety equipment.
- To reduce the risk of inhaling toxic vapors, do not vacuum or use near toxic or hazardous materials.
- To reduce the risk of electric shock, do not expose to rain or allow liquid to enter motor compartment. Store indoors.
- Do not allow to be used as a toy. Close attention is necessary when used by or near children.
- Do not use with a torn filter or without the filter installed except when vacuuming liquids as described in this manual. Dry debris ingested by the impeller may damage the motor or be exhausted into the air.
- Turn off Vac before unplugging.
- To reduce the risk of injury from accidental starting, unplug power cord before changing or cleaning filters.
- Do not unplug by pulling on cord. To unplug, grasp the plug, not the cord.
- Do not use with damaged cord, plug or other parts. If your Vac is not working as it should, has missing parts, has been dropped, damaged, left outdoors, or dropped into water, call customer service.

- Do not pull or carry by cord, use cord as handle, close a door on cord, or pull cord around sharp edges or corners. Do not run Vac over cord. Keep cord away from heated surfaces.
- Do not handle plug, switch, or the Vac with wet hands.
- Use only grounded extension cords that are rated for outdoor use. Extension cords in poor condition or too small in wire size can pose fire and shock hazards. To reduce the risk of these hazards, be sure the cord is in good condition and that liquid does not contact the connection. Do not use an extension cord with conductors smaller than 16 gauge (AWG) in size. To reduce power loss, use a 14 gauge extension cord if 25 to 50 ft. long and 12 gauge for 50 ft. or longer.
- Do not put any object into ventilation openings. Do not vacuum with any ventilation openings blocked; keep free of dust, lint, hair or anything that may reduce air flow.
- Keep hair, loose clothing, fingers, and all parts of body away from openings and moving parts.
- To reduce the risk of falls, use extra care when cleaning on stairs.
- To reduce the risk of back injury or falls, do not lift a Vac that is heavy with debris. Partially empty the Vac by scooping debris to make it comfortable to lift.
- To reduce the risk of personal injury or damage to Vac, use only Ridgid recommended accessories.

When using as a blower:

- Direct air discharge only at work area.
- Do not direct air at bystanders.
- Keep children away when blowing.
- Do not use blower for any job except blowing dirt and debris.
- Do not use as a sprayer.
- Wear safety eyewear.
- To reduce the risk of eye injury, wear safety eyewear. The operation of any utility Vac or blower can result in foreign objects being blown into the eyes, which can result in severe eye damage.

- To reduce the risk of being struck by, or pulled down by, a rolling Vac, block the wheels when using on any uneven or sloped surface.
- Connect to a properly grounded outlet only. See Grounding Instructions.

▲ CAUTION:

- To reduce the risk of hearing damage, wear ear protectors when using for extended time or in a noisy area.
- For dusty operations, wear dust mask.
- Static shocks are common when vacuuming fine debris such as drywall dust or concrete dust, especially in low-humidity conditions. To reduce the risk of static shocks when using this Vac, add moisture to the environment with a humidifier. To further reduce the possibility of static shock, this Vac can also be used with a grounded, static-dissipating hose which can be purchased as an optional accessory.

Observe the following warnings that appear on the motor housing of your Vac:

▲ WARNING: For your safety, read and understand owner's manual. Do not run unattended. Do not pick up hot ashes, coals, toxic, flammable, or other hazardous materials. Do not use around explosive liquids or vapors.

▲ WARNING: To Reduce The Risk Of Electric Shock – Do not expose to rain. Store indoors.

▲ CAUTION: To reduce the risk of static shock, use the VT2580 static-dissipating hose.

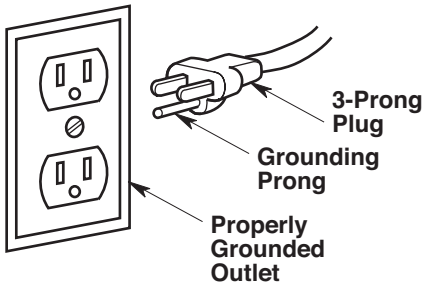
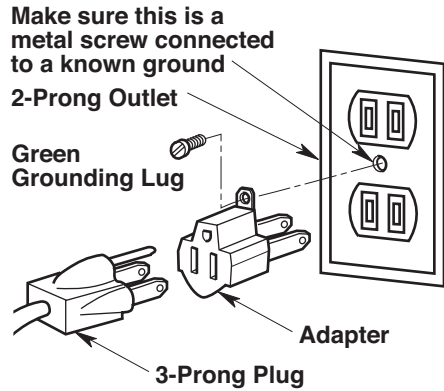
SAVE THIS MANUAL

Grounding Instructions

This appliance must be grounded. If it should malfunction or break down, grounding provides a path of least resistance for electric current to reduce the risk of electric shock. This appliance is equipped with a cord having an equipment-grounding conductor and grounding plug. The plug must be inserted into an appropriate outlet that is properly installed and grounded in accordance with all local codes and ordinances.

This vac is for use on a nominal 120-volt circuit, and has a grounded plug that looks like the plug shown. A temporary adapter that looks like the adapter shown may be used to connect this plug to a 2-prong receptacle, as shown. If a properly grounded outlet is not available, the temporary adapter should only be used until a properly grounded outlet can be installed by a qualified electrician.

⚠ WARNING:
 Improper connection of the equipment grounding conductor can result in a risk of electric shock. Check with a qualified electrician or service person if you are in doubt as to whether the outlet is properly grounded. Do not modify the plug provided with the appliance - if it will not fit the outlet, have a proper outlet installed by a qualified electrician.



The green-colored rigid ear, lug, or the like, extending from the adapter, must be connected to a permanent ground such as a properly grounded outlet box cover. Whenever the adapter is used, it must be held in place by a metal screw.

NOTE: In Canada, the use of a temporary adapter is not permitted by the Canadian Electrical Code.



Introduction

This machine is equipped with an automatic filter cleaning system which is effective at minimizing filter face loading. Throughout its operation, the control monitors the performance level of the Vac. When a predetermined drop in performance occurs, the filter cleaning cycle is initiated. Once the filters have been cleaned, the machine returns to monitoring mode until the next cleaning is needed. When the cleaning cycle becomes more frequent, or when that cleaning cycle doesn't seem to return to monitoring mode, it may be time to empty the drum and / or manually clean or replace the two filters.

Note: It is normal to hear a clicking sound during the cleaning cycle.

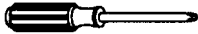
Note: For this Vac to operate properly, it must have two cartridge filters installed at all times.

This Vac is rated for commercial and household use. This Vac is supplied with two VF3800 filters. It can be used not only to pick up material like sawdust and gravel but also ultra fine material like drywall dust and concrete dust. These types of materials are so small they would pass through traditional filters. An optional static-dissipating accessory hose (VT2580) is available for pickup operations that tend to cause static charge buildup.

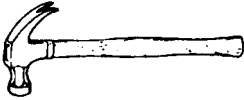


Unpacking and Checking Carton Contents

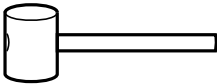
Tools Required



Phillips Screwdriver



Hammer



Mallet

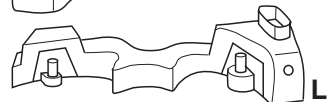
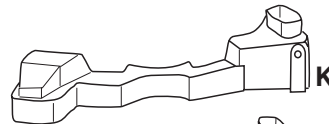
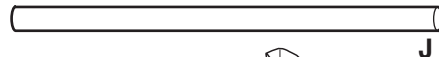
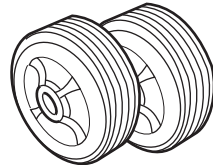
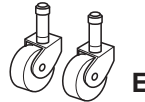
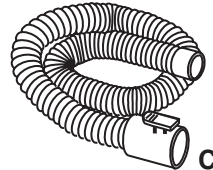
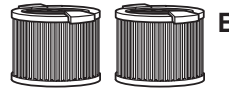
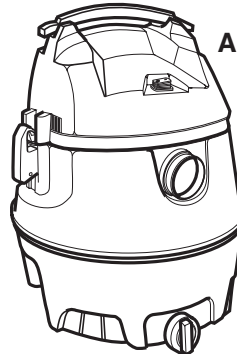
Refer to the assembly sketch for positioning of parts.

Remove contents of carton. Check each item against the Carton Contents List. Call 1-800-4-RIDGID (1-800-474-3443) from the US and Canada, or E-mail us at info@ridgid.com if any parts are damaged or missing.

Carton Contents List

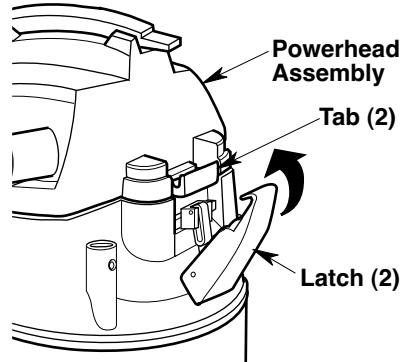
Key	Description	Qty
A	Wet/Dry Vac Assembly	1
B*	Filters	2
C	15' ProHose	1
D	Muffler/Diffuser	1
E	2" Casters	2
F	8" Wheels	2
G	Wheel Caps	2
H	1/2" Cap Nuts	2
I	#10 x 1-3/4" Screws	4
J	Axle	1
K*	Caddy, Right	1
L*	Caddy, Left	1
M	Metal Handle	1
N	Owner's Manual	1

* Items may come preassembled.



Vac Assembly

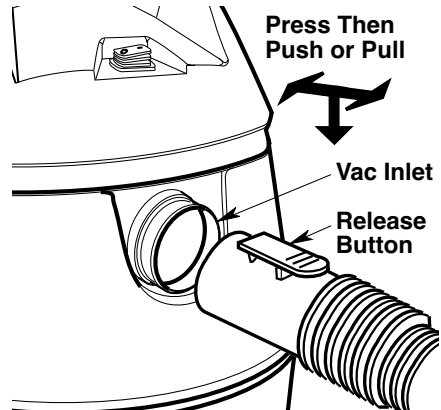
1. Position the powerhead assembly on the drum as shown,
2. Hook the latches over the tabs on the powerhead assembly.
3. Press the latches down until they snap closed against the sides of the tank.



Insert Hose

Insert the push button end of the locking hose into the inlet of the Vac. The hose should snap into place.

To remove the hose from the Vac, press the release button in the hose assembly and pull the hose out of the Vac inlet, as shown.

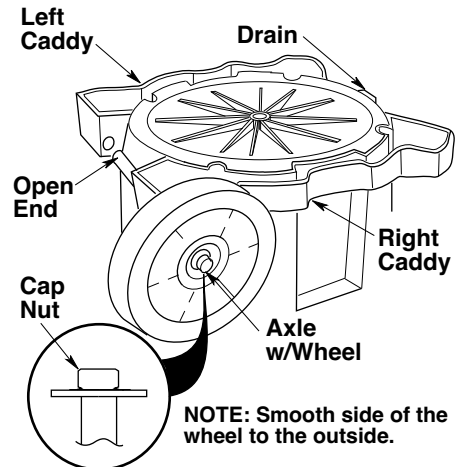
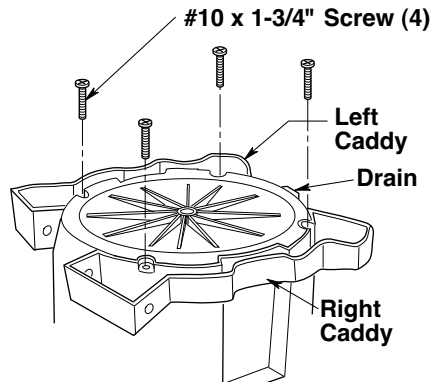
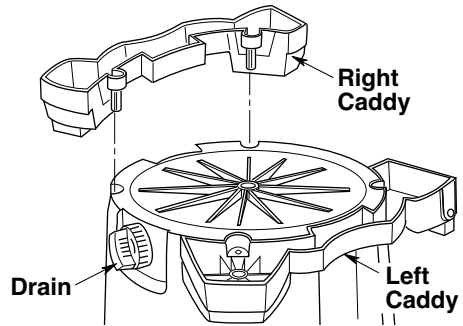


Caddy Assembly

If any parts are missing or damaged contact Customer Service.

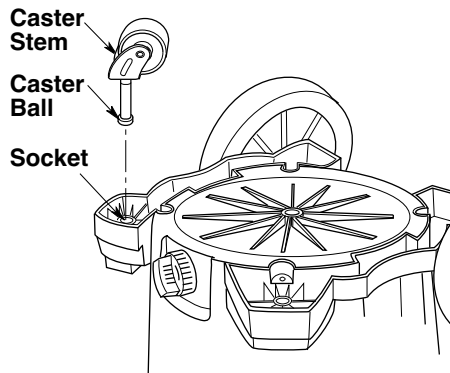
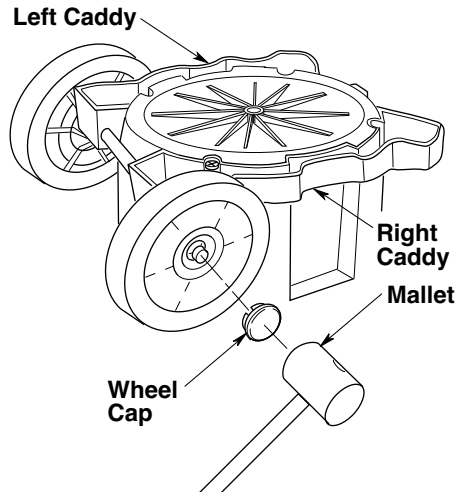
Do not assemble until you have all the parts.

1. Insert left caddy and right caddy into the bottom of drum as shown. Light taps with a mallet or hammer may be needed to fully seat both caddies.
2. Install (4) #10 x 1-3/4" screws into matching holes on both right and left side of caddy, securing them to the bottom of the drum. Tighten screws until just snug. Do not over tighten as this may tend to deform the caddies.
3. Installing Cap Nut
 - a. Place cap nut on end of axle.
 - b. Tap gently with hammer until fully seated.
 - c. Place wheel on the axle with smooth portion of wheel facing outward.



Caddy Assembly (Continued)

4. Slide open end of axle through left caddy making sure the leg slot lines up with the cradle hole. Slide all the way through the right caddy. Light taps with a mallet may be required to fully insert axle.
5. Install second wheel onto axle with smooth portion of wheel facing outward.
6. Install the second cap nut. Tap gently until cap nut is firmly seated
7. Using a rubber mallet or hammer, gently tap the wheel cap onto the right wheel until the wheel cap is firmly seated onto the wheel. This is required on both left and right sides.
8. Insert the caster stem into the socket of the caster foot as shown. (Front caster only).
9. Push on the caster until the ball on the caster stem is inserted all the way into the socket. You will be able to hear the ball snap into the socket and the caster will swivel easily when positioning is correct.



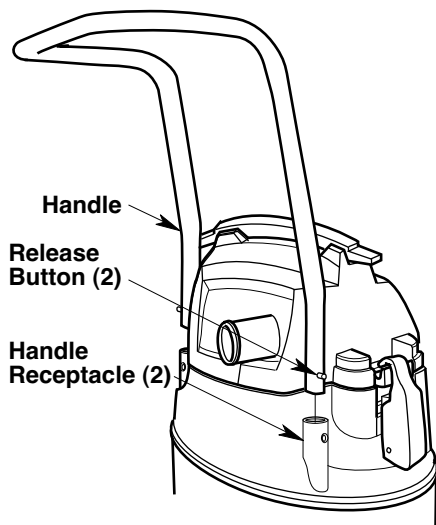
Installing Handle

Press and hold release buttons while installing handle into handle receptacles in drum (See illustration).

NOTE: An audible snap of release buttons indicates successful engagement of handle.

Removing Handle

Press and hold release buttons as shown. While firmly pushing in release buttons, pull handle upwards to remove (see illustration).



Operation

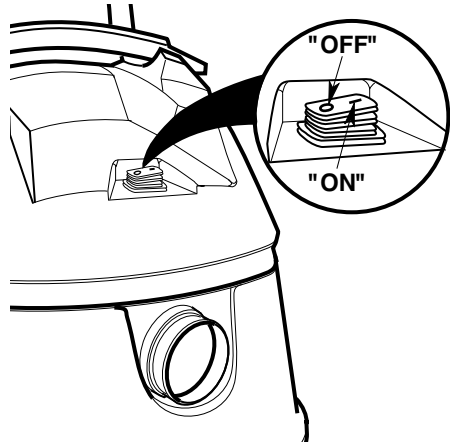
▲ WARNING: To reduce the risk of fire, explosion, or damage to Vac:

- Do not leave Vac running while unattended - you may fail to notice important signs indicating abnormal operation such as loss of suction, debris exiting the exhaust, or abnormal motor noises. Immediately stop using Vac if you notice these signs.
- Do not leave Vac plugged in when not in use.
- Do not continue running when float has cut off suction.
- Sparks inside the motor can ignite airborne flammables. Do not operate Vac near flammable liquids or in areas with flammable gases, vapors, or explosive/airborne dust. Flammable liquids, gases, and vapors include: lighter fluid, solvent-type cleaners, oil-based paints, gasoline, alcohol, and aerosol sprays. Explosive dusts include: coal, magnesium, aluminum, grain, and gun powder.
- Do not vacuum up explosive dusts, flammable liquids, or hot ashes.

▲ WARNING: To reduce the risk of electric shock or injury:

- Do not expose to rain or allow liquid to enter motor compartment. Store indoors.
- Do not handle the plug, switch, or Vac with wet hands.
- Unplug Vac before servicing. If your Vac is not working properly, has missing parts, has been dropped, damaged, left outdoors, or dropped into water, return it to an independent service center or call customer service.
- When using an extension cord, use only outdoor-rated cords that are in good condition. Do not allow the connection to come into contact with liquid.

▲ CAUTION: To reduce the risk of static shocks while using this Vac, avoid using it in very dry conditions, or use the optional static-dissipating accessory hose, VT2580. Always plug cord into a properly-grounded outlet.



After you plug the power cord into the outlet, turn the unit on by pushing the switch from position "O" to position "I". The symbols used on the switch actuator are international "On & Off" symbols.

○ = OFF | = ON

Operation (Continued)

Vacuumping Dry Material

1. The filters must always be in correct position to reduce the risk of leaks and possible damage to Vac.
2. Your Vac comes with two VF3800 Filters installed. When using your Vac to pick up very fine dust, it may be necessary for you to empty the drum and clean the filters periodically or replace the filters to maintain peak Vac performance.

NOTE: A dry filter is necessary to pick up dry material. If you use your Vac to pick up dust when the filter is wet, the filter will clog quickly and be very difficult to clean.

Optional Dust Collection Bags

Note: This Vacs computer programing only monitors for blockages in the pleated filters. Use of the optional Dust Collection Bag will keep the Smart-Pulse function from sensing any blockages that occur, leading to a premature drop in vacuum performance.

1. The available Dust Collection Bag for this Vac is catalog number VF3502.
2. The Dust Collection Bag is intended for cleaning up dry debris ONLY.
3. If the debris being picked up has any moisture, the bag will absorb the moisture and may deteriorate very quickly, making the bag nonfunctional.
4. If you are using your vacuum to pick up fine dust, the Dust Collection Bag will make cleanup easier.

Note: Dust Collection Bag MUST be used in conjunction with a Pleated Cartridge Filters. Do not overfill the filter collection bags. The overfilling of these bags may cause the weight of the collected debris to tear these bags and/or make it difficult to remove the bag from the vacuum's drum due to its physical size.

5. Directions for Installation and Removal of Dust Collection Bags are printed on the bags.

Vacuumping Liquids

1. Before using your vacuum for wet pickup, ensure the drum is empty and free of dust or debris.
2. Remove the filters. With the filter removed, the float mechanism activates to prevent water from entering the motor blower housing. If the filters are not removed, water could enter the motor blower housing which could overload and damage the motor.
3. When the liquid in the drum reaches a predetermined level, the float mechanisms will rise automatically to cut off air-flow. When this happens, turn off the Vac, unplug the power cord, and empty the drum. You will know that the float has risen because the Vac airflow ceases and the motor noise will become higher in pitch, due to increased motor speed.

IMPORTANT: To reduce the risk of damage to the Vac, do not run motor with floats in raised position.

4. After using the Vac to pick up liquids, the drum must be cleaned out, and completely dried before use. The filters must be re-installed before using your machine to pick up dry materials.

Operation (Continued)

Emptying the Drum

▲ WARNING: To reduce the risk of injury from accidental starting, unplug power cord before emptying the drum.

▲ WARNING: To reduce the risk of back injury or falls, do not lift a Vac heavy with liquid or debris. Scoop or drain enough contents out to make the Vac light enough to lift comfortably.

1. The Vac comes equipped with a drain for ease of emptying liquids. Simply unscrew the drain cap and lift the opposite side slightly to empty the drum.
2. Another option is to remove the powerhead assembly.
3. Lay powerhead assembly aside on a clean area while emptying drum.
4. Dump the drum's contents into the proper waste disposal container.

Moving the Wet/Dry Vac

Should it become necessary to pick the Vac up to move it, the handle on the sides of the dust drum are used to lift. To maneuver the Vac, the push/pull handle in the rear of the unit should be used.

Blowing Feature

Your Vac features a blowing port. It can blow sawdust and other debris. Follow the steps below to use your Vac as a blower.

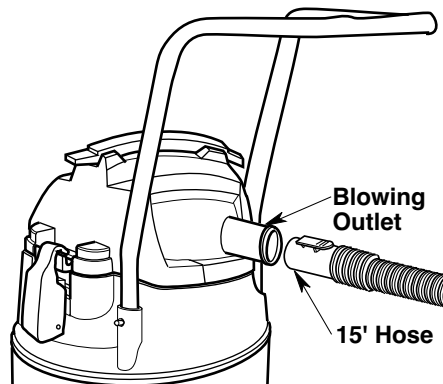
▲ WARNING: Always wear safety eyewear complying with ANSI Z87.1 (or in Canada, CSA Z94.3) before using as a blower.

▲ WARNING: To reduce the risk of injury to bystanders, keep them clear of blowing debris.

▲ CAUTION: Wear a dust mask if blowing creates dust which might be inhaled.

▲ CAUTION: To reduce the risk of hearing damage, wear ear protectors when using the Vac/Blower for extended time or in a noisy area.

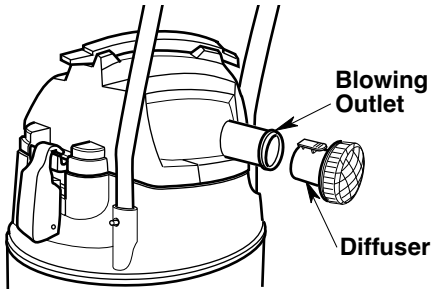
1. Locate the blowing outlet of your Vac.
2. Insert the locking end of the hose into the blowing port of the Vac. The hose should snap into place. To remove the hose from the Vac, press the release button in the hose assembly and pull the hose out of the Vac inlet.
3. Turn Vac on and you are ready to use your Vac as a blower.



Operation (Continued)

Diffuser

This Vac comes equipped with a diffuser that can be inserted into the exhaust port of the vacuum when it's not being used as a blower. This diffuser is adjustable and can be used to change the flow and direction of the vacuum's exhaust away from areas you may not want it blowing.



Static-Dissipating Accessory Hose

An optional accessory hose, VT2580, can be used with this Vac to reduce the effects of static charge buildup. In dry conditions and when vacuuming large amounts of fine/dry dust, static charge can build up on the hose or Vac. The VT2580 hose will dissipate static charge, through the ground conductor in the cord.

Maintenance

Filter

This Smart-Pulse vacuum is supplied with two of the RIDGID's Qwik Lock™ PTFE Filters. Replacement Filters are available where you purchased your Vac. Ask for the RIDGID Qwik Lock™ Filter VF3800.

NOTE: The filters are made of high quality material designed to stop very small particles of dust. The filters can only be used for dry pick up. Handle the filters carefully when removing, cleaning, or installing them. Creases in the filter pleats may occur from installation but will not affect the performance of the filter.

Removal and Installation of the Qwik Lock™ Filters

Filter Removal:

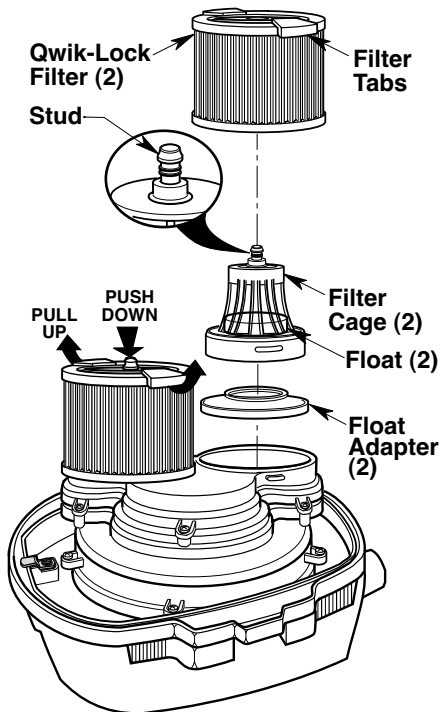
1. Hold the filter tabs of the Qwik Lock™ filter in each hand.
2. With one thumb on the Qwik Lock™ stud, which protrudes through the integrated filter plate, lift up on the filter tabs while pushing down on the stud.
3. This action will cause the filter to release from the filter cage. Slide filter off cage. Repeat for second filter.

Maintenance (Continued)

Filter Installation:

1. Carefully slide the Qwik Lock™ filter over the filter cage and press down on the outside edge of the filter until the rubber gasket on the bottom of the filter seats securely around the base of the filter cage and against the lid.
2. Align the small center hole in the top of the filter over the Qwik Lock™ stud on the filter cage. Press firmly on top of the filter near the stud to allow the filter to snap over the ball on the end of the stud. The filter is now attached. Repeat for second filter.

NOTE: Failure to properly seat the bottom gasket could result in debris bypassing the filter.



⚠ WARNING: Do not operate with no filters or only one filter in place unless picking up liquid. For liquid pickup both filters should be removed. Do not operate without filter cages, float adapters and floats, as they prevent liquid from entering the impeller and damaging the motor.

IMPORTANT: To avoid damage to the blower wheel and motor, always reinstall both filters before using the Vac for dry material pick-up.

NOTE: For best cleaning results due to accumulated dust, clean the filters in an open area. Cleaning SHOULD be done outdoors and not in the living quarters.

Remove filters from Vac. Gently tap filters against the inside wall of your dust drum and the debris will loosen and fall off.

IMPORTANT: After cleaning, check the filters for tears or small holes. Do not use filters with holes or tears in it. Even a small hole can cause a lot of dust to come out of your Vac. If damaged, replace filters immediately.

Cleaning and Disinfecting the Vac

To keep your Vac looking its best, clean the outside with a cloth dampened with warm water and mild soap.

To clean the drum:

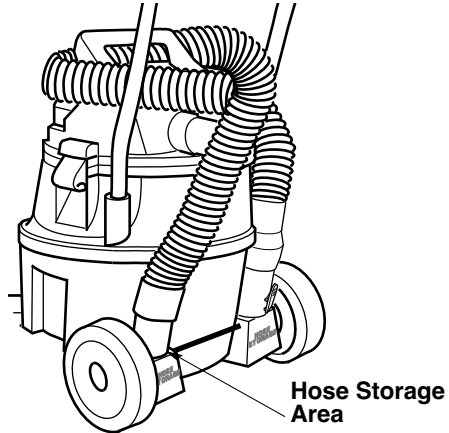
1. Dump debris out.
2. Wash drum thoroughly with warm water and mild soap.
3. Wipe out with dry cloth.

Before prolonged storage or as needed the drum should be disinfected.

Maintenance (Continued)

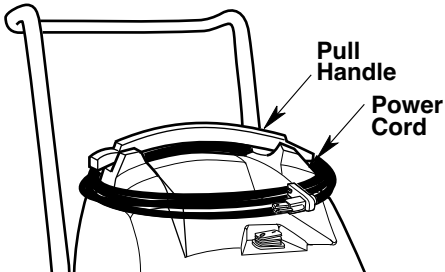
To disinfect the drum:

1. Pour 1 gallon of water and 1 teaspoon of chlorine bleach into the drum.
2. Let solution stand for 20 minutes, carefully swishing every few minutes, making sure to wet all inside surfaces of the drum.
3. Empty drum after 20 minutes. Rinse with water until bleach smell is gone. Allow drum to dry completely before sealing the motor on the drum.



Cord Maintenance

When vacuuming is complete, unplug the cord and wrap it around the motor cover. If the power cord is damaged, it must be replaced by the manufacturer or their service agent or by similarly qualified personnel to reduce the risk of accident.



Storage

Before storing your Vac, the drum should be emptied and cleaned. The cord should be wrapped around the unit. The hose may be stored by wrapping it around the unit and plugging the open end into one of the storage locations on the caddy assembly. The Vac should be stored indoors.

Casters and Wheels

Should your cart squeak or become hard to roll, you should place two or three drops of general purpose oil on each wheel at the axle. If your casters are noisy, you may put a drop of oil on the roller shaft to make them quieter.

Frame and Handles

Your metal handle is painted to prevent rust, however, liquids and corrosive debris should be wiped off with a soft cloth should they come in contact with the handle.

▲ WARNING: To assure product SAFETY and RELIABILITY, any other repairs and adjustments should be performed by Authorized Service Centers, always using RIDGID replacement parts.

Repair Parts

14 U.S. Gallon Smart-Pulse Vacuum

Stock Number RV3410 (Model RV34100)

RIDGID parts are available on-line at www.ridgidparts.com

Always order by Part Number - Not by Key Number

▲ WARNING: To reduce the risk of injury from electrical shock, unplug power cord before servicing the electrical parts of the Vac.

Key No.	RV3410 Part No.	Description
1*	510322	Powerhead Assembly (Includes Key Numbers 2 - 18)
2	831657-3	Cord Assembly
3	510321	Motor Cover Assembly
4	835195-2	Carry Handle
5	833518	Gasket For Upper Lid
6	827415	Gaskets (2 Required)
7	831567	Motor
8	510320	Wiring Harness (Power/Grounding)
9	510325	Actuator w/ Bracket (2 Required)
10	835193-2	Upper Lid
11	510318	Control Module
12	822374-8	Motor Brush Kit (1 Set)
13	835191	Lower Lid
14	510324	Valve Assembly (Stem, Spring, Screw, Valve w/ Gasket - Includes 2 Each)
15	510319	Tubes (Set of 3)
16	510336	Grounding Spring Assembly
17	835194	Manifold
18	510332	Filter Cage Assembly (1 Filter Cage, 1 Float, 1 Float Adapter)
19	VF3800	Filters (2 Required)

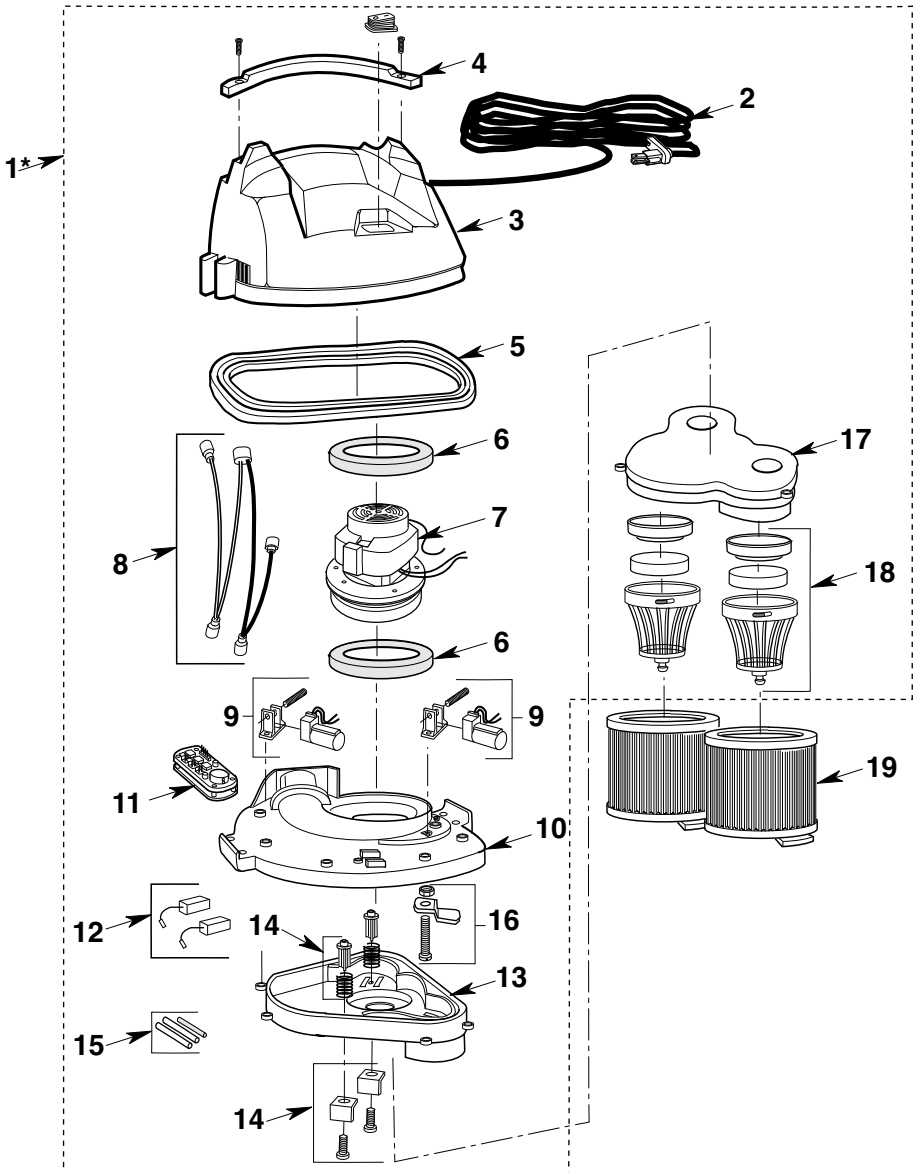
* All parts are included in the Powerhead Assembly (#1) (except for the 2 Filters).

Repair Parts (Continued)

14 U.S. Gallon
Smart-Pulse Vacuum

Stock Number RV3410 (Model RV34100)

RIDGID parts are available on-line at www.ridgidparts.com



Repair Parts (Continued)

14 U.S. Gallon Smart-Pulse Vacuum

Stock Number RV3410 (Model RV34100)

RIDGID parts are available on-line at www.ridgidparts.com

Always order by Part Number - Not by Key Number

▲ WARNING: To reduce the risk of injury from electrical shock, unplug power cord before servicing the electrical parts of the Vac.

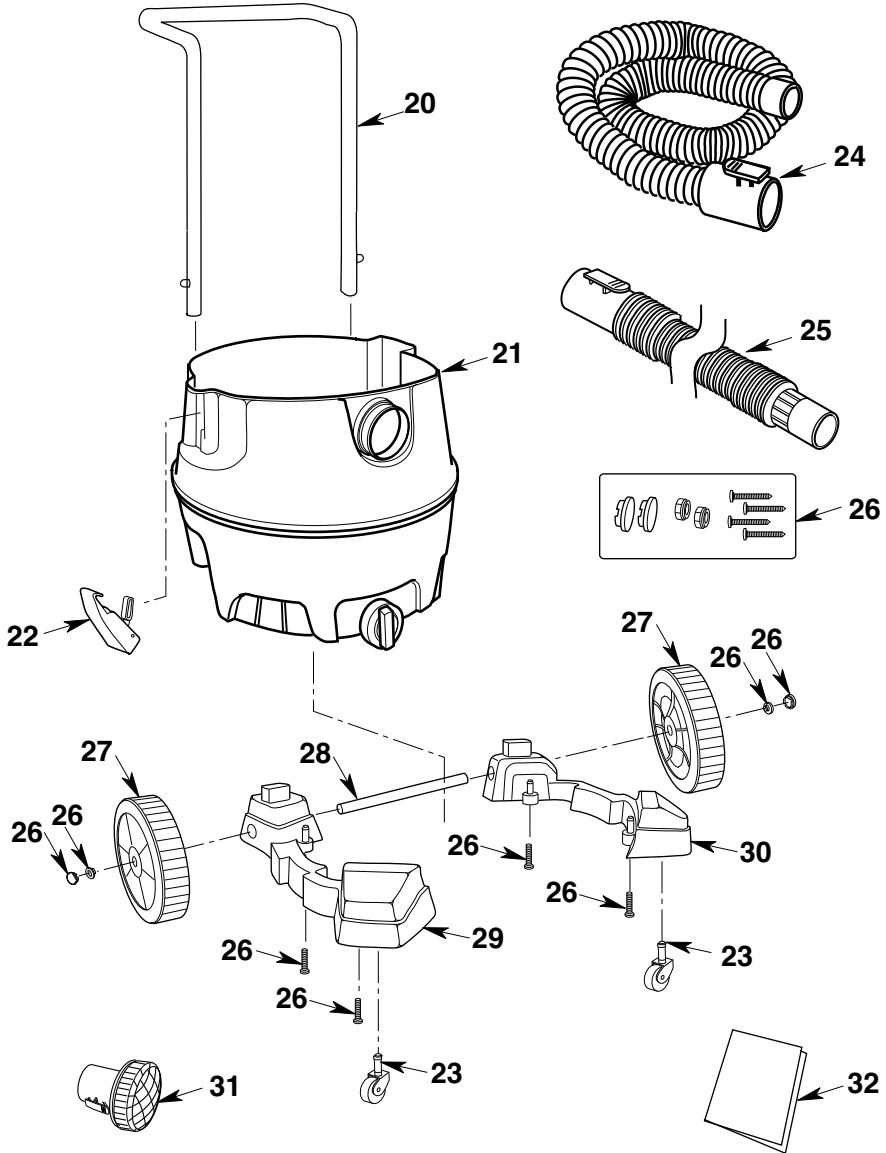
Key No.	RV3410 Part No.	Description
20	830686	Drum Handle Assembly
21	510323	Drum Assembly
22	510333	Drum Latch Assembly (Complete Set)
23	832123	Casters (2 Required)
24	831337-11	15' Hose Assembly
25	VT2580	Static-Dissipating 15' Hose (Optional)
26	509944	Loose Parts Bag (Wheel Caps, 1/2" Cap Nuts, #10 x 1-3/4" Screws)
27	832190	8" Wheels (2 Required)
28	831024	Shaft (1)
29	830577	Left Caddy
30	830576	Right Caddy
31	830675-2	Diffuser
32	SP6906	Owner's Manual

Repair Parts (Continued)

14 U.S. Gallon
Smart-Pulse Vacuum

Stock Number RV3410 (Model RV34100)

RIDGID parts are available on-line at www.ridgidparts.com



RIDGID®



- **What is covered**

RIDGID® Wet/Dry Vac's are warranted to be free of defects in workmanship and material.

- **How long coverage lasts**

This warranty lasts for the lifetime of the RIDGID® Wet/Dry Vac.

- **How to obtain service**

To obtain the benefit of this warranty, deliver via prepaid transportation the complete product to RIDGE TOOL COMPANY, Elyria, Ohio, or any authorized RIDGID® INDEPENDENT SERVICE CENTER. Pipe wrenches and other hand tools should be returned to the place of purchase.

- **What we will do to correct problems**

Warranted Wet/Dry Vac's will be repaired or replaced, at Ridge Tool Company's option, and returned at no charge; or, if after three attempts to repair or replace during the warranty period the Wet/Dry Vac is still defective, you can elect to receive a full refund of your purchase price.

- **What is not covered**

Failures due to misuse, abuse or normal wear and tear are not covered by this warranty. **RIDGE TOOL COMPANY SHALL NOT BE RESPONSIBLE FOR ANY INCIDENTAL OR CONSEQUENTIAL DAMAGES.**

- **How local laws relate to the warranty**

Some states do not allow the exclusion or limitation of incidental or consequential damages, so the above limitation or exclusion may not apply to you. This warranty gives you specific rights, and you may also have other rights which vary from state to state, province to province, or country to country.

- **No other express warranty applies**

This FULL LIFETIME WARRANTY is the sole and exclusive warranty for RIDGID® Wet/Dry Vac's. No employee, agent, dealer, or other person is authorized to alter this warranty or make any other warranty on behalf of Ridge Tool Company.

Stock No. RV3410

Model No. RV34100

Model and serial number may be found near the blowing port. You should record both model and serial numbers in a safe place for future use.

QUESTIONS OR COMMENTS? CONTACT US AT

www.ridgidvac.com

In the U.S. and Canada, Call 1-800-4-RIDGID

In Mexico, Call 01-800-701-9811

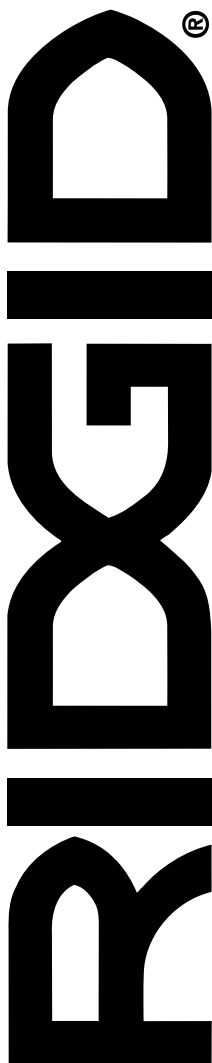
Please have your Model Number and Serial Number on hand when calling.



EMERSON™

© 2014 Emerson

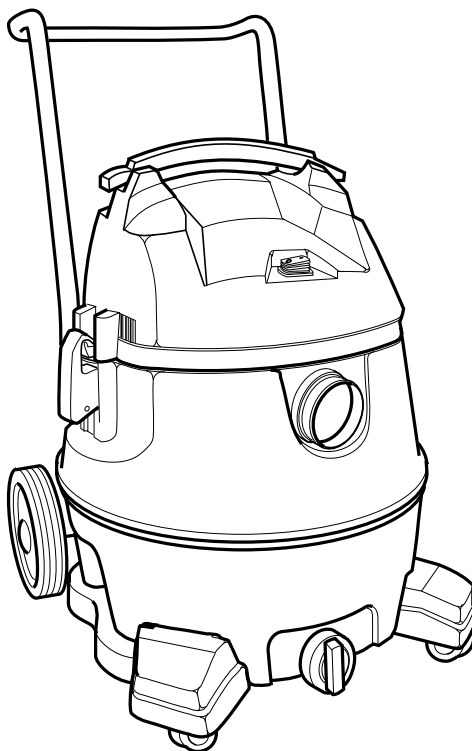
Commercial & Residential Solutions



MANUAL DEL USUARIO

ASPIRADORA SMART-PULSE DE 14 GALONES

RV34100



¿PREGUNTAS O COMENTARIOS? COMUNÍQUESE CON NOSOTROS EN
www.ridgidvacs.com

1-800-4-RIDGID (1-800-474-3443) desde los EE.UU. y Canadá
01-800-701-9811 desde México

▲ ADVERTENCIA:

Para reducir el riesgo de lesiones, el usuario debe leer y entender el manual del operador antes de utilizar este producto.

Gracias por comprar un producto RIDGID.

• Français - page 41

GUARDE ESTE MANUAL PARA REFERENCIA FUTURA



Índice

Sección	Página	Sección	Página
Instrucciones de seguridad importantes	22	Bolsas de recolección de polvo opcionales	31
Palabras de señal de seguridad	22	Recogida de líquidos con la aspiradora	31
Instrucciones de conexión a tierra	24	Vaciado del tambor	32
Introducción	25	Dispositivo de soplado	32
Comprobación del contenido de la caja de cartón	26	Traslado de la aspiradora para mojado/seco	32
Ensamblaje de la aspiradora	27	Difusor	33
Ensamblaje del base de soporte	28-29	Manguera accesorio disipadora de electricidad estática	33
Funcionamiento	30-32	Mantenimiento	33-35
Recogida de materiales secos con la aspiradora	31	Piezas de repuesto	36-39
		Garantía	40

INSTRUCCIONES DE SEGURIDAD IMPORTANTES

La seguridad es una combinación de sentido común, permanecer alerta y saber cómo funciona la aspiradora para mojado/seco (“la aspiradora”).

Palabras de señal de seguridad

▲ PELIGRO: indica una situación peligrosa que, si no se evita, causará la muerte o lesiones graves.

▲ ADVERTENCIA: indica una situación peligrosa que, si no se evita, podría causar la muerte o lesiones graves.

▲ PRECAUCIÓN: indica una situación peligrosa que, si no se evita, pudiera causar lesiones leves o moderadas

Cuando utilice la aspiradora, siga siempre las precauciones básicas de seguridad, incluyendo las siguientes:

▲ ADVERTENCIA

– Para reducir el riesgo de incendio, sacudidas eléctricas o lesiones:

- Lea y entienda este manual del usuario y todas las etiquetas que están colocadas en la aspiradora para mojado/seco antes de utilizarla.
- Utilice la aspiradora únicamente de la manera que se describe en este manual.
- No deje la aspiradora en marcha mientras esté desatendida. Usted podría no notar señales importantes que indiquen un funcionamiento anormal, tal como pérdida de succión, residuos o líquido que salen por el escape o ruidos anormales del motor. Deje de usar la aspiradora inmediatamente si observa estas señales.
- No abandone la aspiradora cuando esté enchufada. Desenchúfela del tomacorriente cuando no la esté utilizando y antes de realizar servicio de revisión.
- Las chispas que se producen en el interior del motor pueden incendiar los vapores inflamables o el polvo. Para reducir el riesgo de incendio o explosión: No use la aspiradora cerca de líquidos o gases inflamables o combustibles, o polvos explosivos como gasolina u otros combustibles, líquido encendedor, limpiadores, pinturas a base de

aceite, gas natural, hidrógeno, polvo de carbón, polvo de magnesio, polvo de aluminio, polvo de granos de cereal o pólvora.

- No recoja con la aspiradora nada que esté ardiendo o humeando, como cigarrillos, fósforos o cenizas calientes.
- Esta aspiradora no está diseñada para realizar limpieza conforme a la regla sobre renovación, reparación y pintura (RRP) de la EPA.
- Es posible que las partículas sumamente pequeñas pasen a través del filtro. Use siempre equipo protector de seguridad adecuado.
- Para reducir el riesgo de inhalar vapores tóxicos, no recoja con la aspiradora materiales tóxicos o peligrosos ni la use cerca de dichos materiales.
- Para reducir el riesgo de descargas eléctricas, no esponga la aspiradora a la lluvia ni deje que entren líquidos en el compartimiento del motor. Guarde la aspiradora en un lugar interior.
- No permita que la aspiradora se utilice como un juguete. Se necesita prestar máxima atención cuando sea utilizada por niños o cerca de éstos.
- No use la aspiradora con un filtro desgarrado o sin tener el filtro instalado, excepto cuando recoja con ella líquidos de la manera que se describe en este manual. Los residuos secos absorbidos por el impulsor podrían dañar el motor o ser expulsados de vuelta al aire.
- Apague la aspiradora antes de desenchufarla.
- Para reducir el riesgo de lesiones debidas a un arranque accidental, desenchufe el cordón de energía antes de cambiar o limpiar el filtro.
- No desenchufe la aspiradora tirando del cordón. Para desenchufarla, agarre el enchufe y no el cordón.
- No use la aspiradora con el cordón dañado, el enchufe dañado u otras piezas dañadas. Si la aspiradora no funciona como debe, le faltan piezas, se ha caído, ha sido dañada, se ha dejado a la intemperie o se ha caído al agua, llame a servicio al cliente.
- No tire de la aspiradora usando el cordón ni la lleve por el cordón, ni use el cordón como asa, ni cierre





una puerta sobre el cordón, ni tire del cordón alrededor de bordes o esquinas afilados. No pase la aspiradora en marcha sobre el cordón. Mantenga el cordón alejado de las superficies calientes.

- No maneje el enchufe, el interruptor o la aspiradora con las manos mojadas.
- Use sólo cordones de extensión conectados a tierra homologados para uso a la intemperie. Los cordones de extensión que estén en malas condiciones o tengan un tamaño de alambre demasiado pequeño pueden crear peligros de incendio y descargas eléctricas. Para reducir el riesgo de estos peligros, asegúrese de que el cordón esté en buenas condiciones y que el líquido no entre en contacto con la conexión. No utilice un cordón de extensión que tenga conductores con un diámetro menor al calibre 16 (AWG). Para reducir la pérdida de potencia, utilice un cordón de extensión de calibre 14 si la longitud es de 25 a 50 pies, y de calibre 12 si la longitud es de 50 pies o más.
- No ponga ningún objeto en las aberturas de ventilación. No recoja nada con la aspiradora cuando cualquiera de las aberturas de ventilación esté bloqueada; mantenga dichas aberturas libres de polvo, pelusa, pelo o cualquier cosa que pueda reducir el flujo de aire.
- Mantenga el pelo, la ropa holgada, los dedos y todas las partes del cuerpo alejados de las aberturas y de las piezas móviles.
- Para reducir el riesgo de caídas, tenga cuidado adicional al limpiar en escaleras.
- Para reducir el riesgo de lesiones de espalda o caídas, no levante una aspiradora que pese mucho debido a que contiene líquido o residuos. Saque parte del contenido de la aspiradora o drénela parcialmente.
- Para reducir el riesgo de lesiones corporales o daños a la aspiradora, utilice únicamente accesorios recomendados por Ridgid.
- Cuando utilice la aspiradora como soplador :
 - Dirija la descarga de aire solamente hacia el área de trabajo.
 - No dirija el aire hacia las personas que estén presentes.
 - Mantenga alejados a los niños durante la operación de soplado.
 - No utilice el soplador para trabajos que no sean soplar suciedad y residuos.
 - No use la aspiradora como rociador.
 - Use protección ocular de seguridad.
- Para reducir el riesgo de lesiones en los ojos, use protección ocular de seguridad. La utilización de cualquier aspiradora utilitaria o soplador utilitario puede hacer que se soplen objetos extraños hacia los ojos, lo cual puede causar daños graves en los ojos.

- Para reducir el riesgo de que una aspiradora rodante le golpee o tire de usted, bloquee las ruedecillas cuando utilice la unidad en cualquier superficie desigual o en pendiente.
- Conecte la aspiradora solamente a un tomacorriente conectado a tierra adecuadamente. Consulte las instrucciones de conexión a tierra.

⚠ PRECAUCIÓN:

- Para reducir el riesgo de daños a la audición, use protectores de oídos cuando utilice la aspiradora durante muchas horas seguidas o cuando la emplee en un área ruidosa.
- Para operaciones que generan polvo, use una máscara antipolvo.
- Las descargas de estática son comunes cuando la humedad relativa del aire es baja. Si recoge residuos finos con la aspiradora, se puede depositar carga estática en la manguera o en la aspiradora. El mejor remedio para reducir la frecuencia de las descargas de estática en su casa o cuando use esta aspiradora es añadir humedad al aire con un humidificador.

Siga las siguientes advertencias que aparecen en la caja del motor de la aspiradora.

⚠ ADVERTENCIA: Para su propia seguridad, lea y entienda el manual del operador. No tenga en marcha la aspiradora desatendida. No recoja cenizas calientes, carbón caliente, materiales tóxicos ni inflamables ni otros materiales peligrosos. No use la aspiradora alrededor de líquidos o vapores explosivos.

⚠ ADVERTENCIA: Para reducir el riesgo de sacudidas eléctricas, no exponga la aspiradora a la lluvia y almacénala en interiores.

⚠ PRECAUCIÓN: Para reducir el riesgo de descargas de electricidad estática, use la manguera disipadora de electricidad estática VT2580.

GUARDE ESTE MANUAL

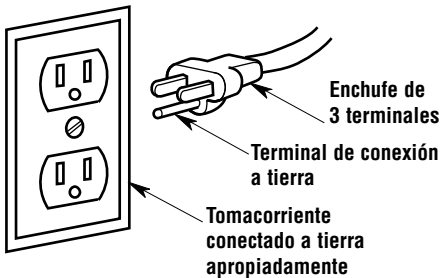


Instrucciones de conexión a tierra

Este electrodoméstico se debe conectar a tierra. En caso de mal funcionamiento o avería, la conexión a tierra proporciona una ruta de resistencia mínima para la corriente eléctrica con el fin de reducir el riesgo de sacudidas eléctricas. Este electrodoméstico está equipado con un cordón que tiene un conductor de conexión a tierra del equipo y un enchufe de conexión a tierra. El enchufe debe introducirse en un tomacorriente apropiado que esté instalado correctamente y conectado a tierra adecuadamente, de acuerdo con todos los códigos y ordenanzas locales.

⚠ ADVERTENCIA:

La conexión incorrecta del conductor de conexión a tierra del equipo puede causar un riesgo de sacudidas eléctricas. Consulte a un electricista calificado o a una persona de servicio competente si tiene dudas sobre si el tomacorriente está conectado a tierra apropiadamente. No modifique el enchufe suministrado con el electrodoméstico. Si el enchufe no cabe en el tomacorriente, haga que un electricista calificado instale un tomacorriente apropiado.

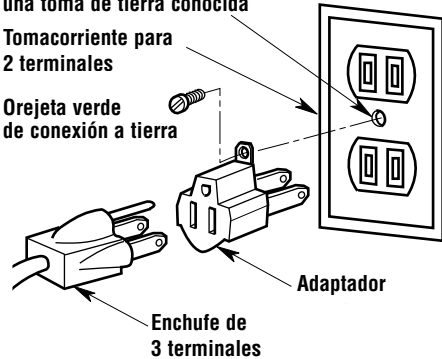


Este electrodoméstico está diseñado para utilizarse en un circuito de 120 V nominales y tiene un enchufe conectado a tierra que tiene un aspecto como el del enchufe que se muestra en la ilustración. Se puede utilizar un adaptador temporal, que tenga un aspecto como el del adaptador que se muestra en la ilustración, para conectar este enchufe a un receptáculo de dos polos, de la manera que se muestra en la ilustración, si no se dispone de un tomacorriente conectado a tierra apropiadamente. El adaptador temporal debe utilizarse únicamente hasta que un electricista calificado pueda instalar un tomacorriente conectado a tierra apropiadamente.

Asegúrese de que esto sea un tornillo metálico conectado a una toma de tierra conocida

Tomacorriente para 2 terminales

Orejeta verde de conexión a tierra



La orejeta, lengüeta o pieza similar rígida de color verde que sobresale del adaptador se debe conectar a una toma de tierra permanente, como por ejemplo una tapa de caja tomacorriente conectada a tierra apropiadamente. Siempre que se utilice el adaptador, se debe sujetar en la posición correcta con un tornillo metálico.

NOTA: En Canadá, el uso de un adaptador temporal no está permitido por el Código Eléctrico Canadiense.



Introducción

Esta máquina está equipada con un sistema de limpieza automática de los filtros que es efectivo para minimizar la carga en la cara de los filtros. Durante el funcionamiento de la aspiradora, el control monitorea el nivel de rendimiento de la misma. Cuando ocurre un descenso predeterminado del rendimiento, se inicia el ciclo de limpieza de los filtros. Una vez que los filtros se hayan limpiado, la máquina regresará al modo de monitoreo hasta que se necesite realizar la próxima limpieza. Cuando el ciclo de limpieza se vuelva más frecuente, o cuando ese ciclo de limpieza no parezca regresar al modo de monitoreo, puede que sea momento de vaciar el tambor y/o limpiar o reemplazar manualmente los dos filtros.

Nota: Es normal oír un chasquido durante el ciclo de limpieza.

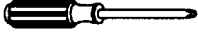
Nota: Para que esta aspiradora funcione correctamente, debe tener dos filtros de cartucho instalados en todo momento.

Esta aspiradora tiene capacidad nominal para uso comercial y doméstico. Esta aspiradora se suministra con dos filtros VF3800. Se puede usar no sólo para recoger material como aserrín y grava, sino también para recoger material ultrafino, como por ejemplo polvo de panel de yeso y polvo de concreto. Estos tipos de materiales son tan pequeños que pasarían a través de los filtros tradicionales. Hay una manguera accesoria disipadora de electricidad estática (VT2580) opcional disponible para las operaciones de recogida que tiendan a causar una acumulación de carga estática.



Desempaquetado y comprobación del contenido de la caja de cartón

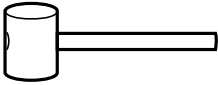
Herramientas necesarias



Destornillador Phillips



Martillo



Mazo

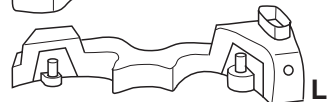
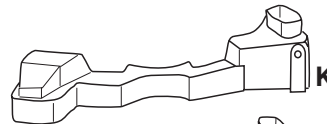
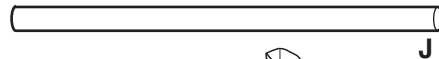
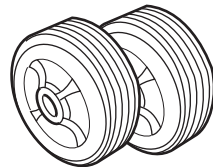
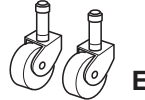
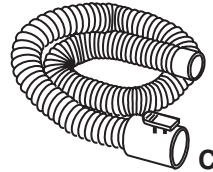
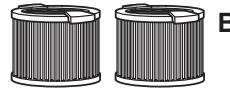
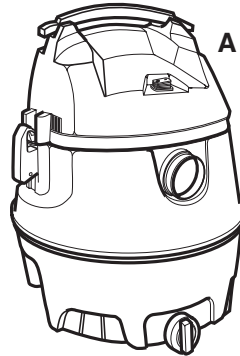
Consulte el dibujo de ensamblaje para averiguar el posicionamiento de las piezas.

Saque todo el contenido de la caja de cartón. Asegúrese de que no falte ningún artículo utilizando la lista del contenido de la caja. Llame al 1-800-4-RIDGID (1-800-474-3443) desde los EE.UU. y Canadá o comuníquese con nosotros por correo electrónico a info@ridgid.com si alguna pieza está dañada o falta.

Lista del contenido de la caja de cartón

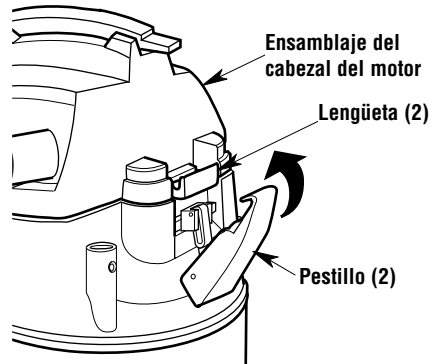
Clave	Descripción	Cant.
A	Ensamblaje de la aspiradora para mojado/seco	1
B*	Filtros.....	2
C	Manguera ProHose de 15 pies	1
D	Silenciador/Difusor	1
E	Ruedecillas de 2 pulgadas	2
F	Ruedas de 8 pulgadas	2
G	Tapas de rueda	2
H	Tuercas de tapa de 1/2 pulgada.....	2
I	Tornillos de 10 x 1-3/4	4
J	Eje.....	1
K*	Base de soporte derecha	1
L*	Base de soporte izquierda	1
M	Mango metálico	1
N	Manual del usuario	1

* Estos artículos pueden venir preensamblados.



Ensamblaje de la aspiradora

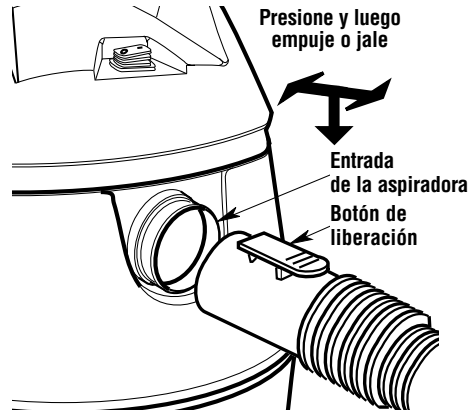
1. Posicione el ensamblaje del cabezal del motor sobre el tambor de la manera que se muestra en la ilustración.
2. Enganche los pestillos sobre las lengüetas ubicadas en el ensamblaje del cabezal del motor.
3. Presione hacia abajo los pestillos hasta que se cierren a presión contra los lados del tanque.



Introduzca la manguera

Inserte en la entrada de la aspiradora el extremo de la manguera en el cual está ubicado el botón pulsador. La manguera debe acoplarse a presión en su sitio.

Para quitar la manguera de la aspiradora, oprima el botón de liberación que está en el ensamblaje de la manguera y tire de la manguera hasta sacarla de la entrada de la aspiradora, de la manera que se muestra en la ilustración.

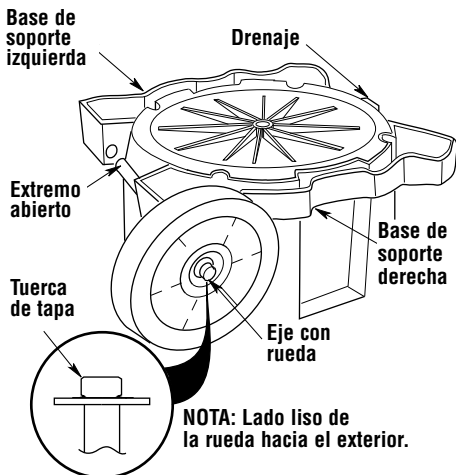
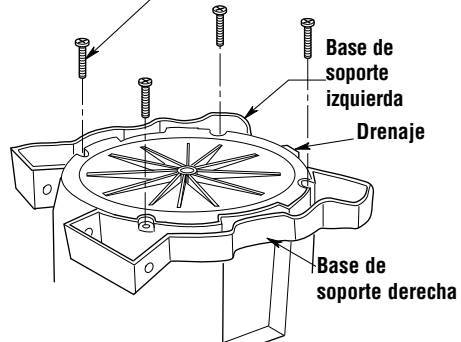
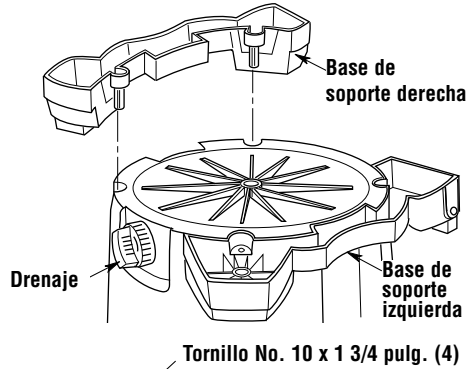


Ensamblaje del base de soporte

Si cualquiera de las piezas falta o está dañada, póngase en contacto con Servicio al Cliente.

No realice el ensamblaje hasta que tenga todas las piezas.

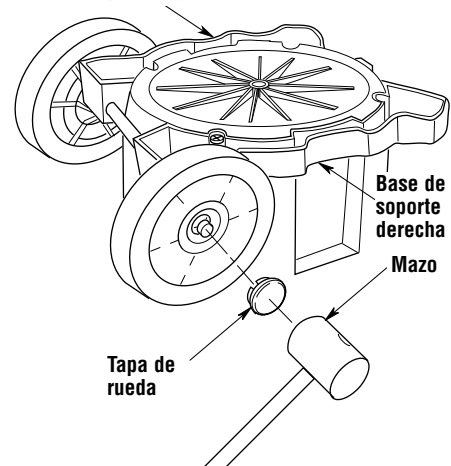
1. Inserte la base de soporte de almacenamiento izquierda y la base de soporte de almacenamiento derecha en la parte inferior del tambor de la manera que se muestra en la ilustración. Es posible que sea necesario dar golpes ligeros con un mazo o un martillo para asentar completamente ambas bases de soporte de almacenamiento.
2. Instale (4) tornillos No. 10 x 1-3/4" en los agujeros coincidentes ubicados tanto en el lado derecho como en el lado izquierdo de la base de soporte, sujetando las bases de soporte a la parte inferior del tambor. Apriete los tornillos sólo hasta que queden perfectamente ajustados. No los apriete excesivamente en este momento, ya que esto podría tender a deformar las bases de soporte.
3. Instalación de la tuerca de tapa
 - a. Coloque la tuerca de tapa en el extremo del eje.
 - b. Golpee suavemente la tuerca con un martillo hasta que esté completamente asentada.
 - c. Coloque la rueda en el eje con la parte lisa de la rueda orientada hacia fuera.



Ensamblaje del base de soporte (continuación)

- Deslice el extremo abierto del eje a través de la base de soporte de almacenamiento izquierda, asegurándose de que la ranura de la pata se alinee con el agujero de la cuna. Deslice completamente dicho extremo a través de la base de soporte de almacenamiento derecha. Es posible que se requieran unos golpes ligeros con un mazo para insertar completamente el eje.
- Instale la segunda rueda en el eje con la parte lisa de la rueda orientada hacia fuera.
- Instale la segunda tuerca de tapa. Golpee suavemente dicha tuerca hasta que esté firmemente asentada.
- Utilizando un mazo de caucho o un martillo, golpee suavemente la tapa de la rueda sobre la rueda derecha hasta que dicha tapa esté firmemente asentada sobre la rueda. Es necesario hacer esto tanto en el lado izquierdo como en el lado derecho.
- Inserte el vástago de la ruedecilla en el receptáculo del pie de ruedecilla de la manera que se muestra en la ilustración (ruedecilla delantera solamente).
- Empuje sobre la ruedecilla hasta que la bola ubicada en el vástago de la ruedecilla esté completamente insertada en el receptáculo. Usted podrá oír cómo la bola se acopla a presión en el receptáculo y la ruedecilla girará fácilmente cuando su posicionamiento sea correcto.

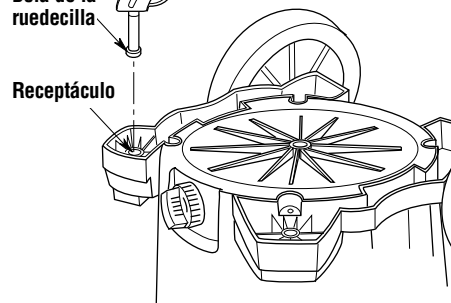
Base de soporte izquierda



Vástago de la ruedecilla

Bola de la ruedecilla

Receptáculo



Instalación del asa

Oprima y mantenga oprimidos los botones de liberación mientras instala el asa en los receptáculos para el asa ubicados en el tambor (vea la ilustración).

NOTA: Un chasquido audible de los botones de liberación indica un acoplamiento exitoso del asa.

Remoción del asa

Oprima y mantenga oprimidos los botones de liberación, de la manera que se muestra en la ilustración. Mientras oprime firmemente los botones de liberación, tire del asa hacia arriba hasta quitarla (vea la ilustración).





Funcionamiento

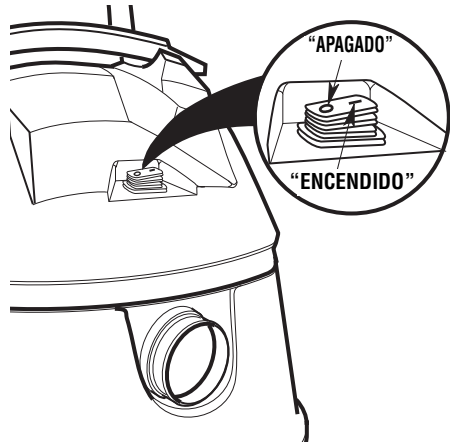
⚠ ADVERTENCIA: Para reducir el riesgo de incendio, explosión o daños a la aspiradora:

- No deje la aspiradora en marcha mientras esté desatendida. Usted podría no notar señales importantes que indiquen un funcionamiento anormal, tal como pérdida de succión, residuos o líquido que salen por el escape o ruidos anormales del motor. Deje de usar la aspiradora inmediatamente si observa estas señales.
- No deje la aspiradora enchufada cuando no se esté utilizando.
- No continúe usando la aspiradora cuando el flotador haya cortado la succión.
- No utilice la aspiradora en áreas con gases inflamables, vapores inflamables o polvo explosivo en el aire. Las chispas generadas dentro del motor pueden incendiar los materiales inflamables suspendidos en el aire. Los gases inflamables y los vapores inflamables incluyen: líquido encendedor, limpiadores tipo solvente, pinturas a base de aceite, gasolina, alcohol o rociadores tipo aerosol. Los polvos inflamables incluyen: polvo de carbón, polvo de magnesio, polvo de aluminio, polvo de grano de cereal o pólvora.
- No recoja con la aspiradora polvos explosivos, líquidos inflamables ni cenizas calientes.

⚠ ADVERTENCIA: Para reducir el riesgo de descargas eléctricas o lesiones:

- No exponga la aspiradora a la lluvia ni deje que entre líquido en el compartimiento del motor. Almacene la aspiradora en un lugar interior.
- No maneje el enchufe, el interruptor o la aspiradora con las manos mojadas.
- No haga servicio de ajustes y reparaciones de la aspiradora mientras esté enchufada. Si la aspiradora no está funcionando como debería, le faltan piezas, se ha caído, está dañada, se ha dejado a la intemperie o se ha caído al agua, devuélvala a un centro de servicio independiente o llame a servicio al cliente.
- Cuando utilice un cordón de extensión, utilice únicamente cordones con capacidad nominal para uso a la intemperie que estén en buenas condiciones. No deje que la conexión entre en contacto con líquido.

⚠ PRECAUCIÓN: Para reducir el riesgo de descargas de electricidad estática mientras se utilice esta aspiradora, evite utilizarla en condiciones muy secas o utilice la manguera accesoria disipadora de electricidad estática VT2580 opcional. Enchufe siempre el cable de alimentación en un tomacorriente conectado a tierra apropiadamente.



Después de enchufar el cordón de energía en el tomacorriente, encienda la unidad empujando el interruptor de la posición "O" a la posición "I". Los símbolos utilizados en el accionador del interruptor son los símbolos internacionales de "encendido y apagado".

○ = APAGADO | = ENCENDIDO





Funcionamiento (continuación)

Recogida de materiales secos con la aspiradora

1. Los filtros deben estar siempre en la posición correcta para reducir el riesgo de fugas y posibles daños a la aspiradora.
2. La aspiradora viene con dos filtros VF3800 instalados. Al utilizar la aspiradora para recoger polvo muy fino, será necesario que usted vacíe el tambor y limpie el filtro a intervalos más frecuentes para mantener un rendimiento óptimo.

NOTA: Se necesita un filtro seco para recoger material seco. Si utiliza la aspiradora para recoger polvo cuando el filtro está mojado, éste se atascará rápidamente y será muy difícil limpiarlo.

Bolsas de recolección de polvo opcionales

Nota: La programación de computadora de esta aspiradora sólo monitorea la aparición de obstrucciones en los filtros plisados. El uso de la bolsa de recolección de polvo opcional impedirá que la función de pulsación inteligente Smart-Pulse detecte cualquier obstrucción que ocurra, lo cual causará una disminución prematura del rendimiento de la aspiradora.

1. La bolsa de recolección de polvo disponible para esta aspiradora tiene el número de catálogo VF3502.
2. La bolsa de recolección de polvo está diseñada para recoger residuos secos SOLAMENTE.
3. Si los residuos que se estén recogiendo tienen algo de humedad, la bolsa absorberá dicha humedad y es posible que se deteriore muy rápidamente, con lo cual quedará inservible.
4. Si está usando la aspiradora para recoger polvo fino, la bolsa de recolección de polvo facilitará la limpieza.

Nota: La bolsa de recolección de polvo se DEBE usar en combinación con filtros de cartucho plisados. No llene excesivamente la bolsa de recolección con filtro. Si se llenan excesivamente estas bolsas, el resultado podría ser que el peso de los residuos recogidos desgarre estas bolsas y/o dificulte su retirada del tambor de la aspiradora debido a su tamaño físico.

5. Las instrucciones de instalación y retirada de las bolsas de recolección de polvo están impresas en las bolsas.

Recogida de líquidos con la aspiradora

1. Antes de utilizar su aspiradora para recoger residuos mojados, asegúrese de que el tambor esté vacío y libre de polvo o residuos.
2. Retire los filtros. Con los filtros retirados, el mecanismo del flotador se activa para impedir que entre agua en la carcasa del soplador del motor. Si los filtros no se retiran, podría entrar agua en la carcasa del soplador del motor, lo cual podría sobrecargar y dañar el motor.
3. Cuando el líquido que se encuentre en el tambor alcance un nivel predeterminado, el mecanismo del flotador subirá automáticamente para cortar el flujo de aire. Cuando esto suceda, apague la aspiradora, desenchufe el cordón de energía y vacíe el tambor. Sabrá que el flotador ha subido porque el flujo de aire de la aspiradora cesará y subirá el tono del ruido del motor debido a que se producirá un aumento de la velocidad del mismo.

IMPORTANTE: Para reducir el riesgo de daños a la aspiradora, no tenga en marcha el motor con el flotador en la posición elevada.

4. Después de utilizar la aspiradora para recoger líquidos, el tambor se debe limpiar y secar completamente antes de utilizarlo. Los filtros se deben reinstalar antes de utilizar esta máquina para recoger materiales secos.



Funcionamiento (continuación)

Vaciado del tambor

⚠ ADVERTENCIA: Para reducir el riesgo de lesiones debidas a un arranque accidental, desenchufe el cordón de energía antes de vaciar el tambor.

⚠ ADVERTENCIA: Para reducir el riesgo de que se produzcan lesiones en la espalda o caídas, no levante la aspiradora si pesa demasiado debido a que contiene líquido o residuos. Saque o haga salir una cantidad suficiente del contenido para hacer que la aspiradora sea suficientemente liviana como para poder levantarla cómodamente.

1. La aspiradora viene equipada con un drenaje para facilitar su vaciado de líquidos. Simplemente desenrosque la tapa del drenaje y levante ligeramente el lado opuesto para vaciar el tambor.
2. Otra opción es quitar el ensamblaje del cabezal del motor.
3. Ponga a un lado el ensamblaje del cabezal del motor en un área limpia mientras vacía el tambor.
4. Vierta el contenido del tambor en el recipiente de eliminación de residuos apropiado.

Traslado de la aspiradora para mojado/seco

En caso de que sea necesario levantar la aspiradora para trasladarla, las asas ubicadas en los lados del tambor para polvo se usan para levantar la aspiradora. Para maniobrar la aspiradora, se debe usar el asa de empuje/tracción ubicada en la parte trasera de la unidad.

Dispositivo de soplado

La aspiradora cuenta con un orificio de soplado. Puede soplar aserrín y otros residuos. Siga los pasos que se indican a continuación para usar la aspiradora como soplador.

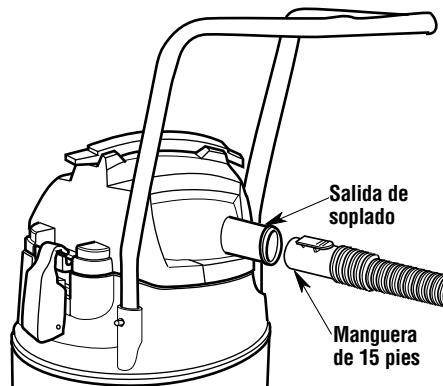
⚠ ADVERTENCIA: Use siempre protectores oculares de seguridad que cumplan con la norma ANSI Z87.1 (o en Canadá, con la norma CSA Z94.3) antes de utilizar la aspiradora como soplador.

⚠ ADVERTENCIA: Para reducir el riesgo de lesiones a las personas que estén presentes, manténgalas alejadas de los residuos soplados.

⚠ PRECAUCIÓN: Use una máscara antipolvo si el soplado genera polvo que podría ser inhalado.

⚠ PRECAUCIÓN: Para reducir el riesgo de daños a la audición, use protectores de oídos cuando utilice la aspiradora/soplador durante muchas horas seguidas o cuando la utilice en un área ruidosa.

1. Localice el orificio de soplado de la aspiradora.
2. Introduzca el extremo de fijación de la manguera con la aspiradora en el orificio de soplado de la aspiradora. La manguera debe acoplarse a presión en su sitio. Para quitar la manguera de la aspiradora, oprima el botón de liberación ubicado en el ensamblaje de la manguera y tire de la manguera hasta sacarla de la entrada de la aspiradora.
3. Encienda la aspiradora y estará lista para utilizarse como soplador.

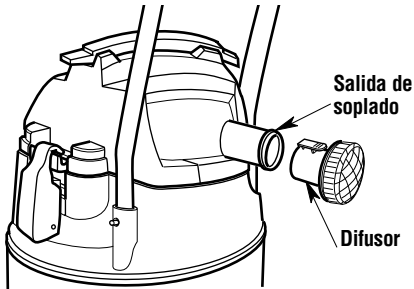




Funcionamiento (continuación)

Difusor

Esta aspiradora viene equipada con un difusor que se puede insertar en el orificio de salida de la aspiradora cuando ésta no se esté utilizando como soplador. Este difusor es ajustable y se puede utilizar para cambiar el caudal de aire y la dirección de la salida de aire de la aspiradora, alejándola de las áreas en las que usted no quiera que sople.



Manguera accesoria disipadora de electricidad estática

Con esta aspiradora se puede usar una manguera accesoria VT2580 opcional para reducir los efectos de la acumulación de carga estática. En condiciones secas y cuando se aspiren grandes cantidades de polvo fino/seco, se puede acumular carga estática en la manguera o la aspiradora. La manguera VT2580 disipará la carga estática a través del conductor de conexión a tierra ubicado en el cable de alimentación.

Mantenimiento

Filter

Esta aspiradora Smart-Pulse se suministra con dos filtros de PTFE Qwik Lock™ de RIDGID. Los filtros de repuesto están disponibles en el establecimiento donde usted compró su aspiradora. Pida el filtro RIDGID Qwik Lock™ VF3800.

NOTA: Los filtros están hechos con material de alta calidad diseñado para detener las partículas de polvo muy pequeñas. Los filtros sólo se pueden usar para recoger residuos secos. Maneje cuidadosamente los filtros cuando los retire, limpie o instale. Es posible que se formen arrugas en los pliegues del filtro al realizar la instalación, pero dichas arrugas no afectarán al rendimiento del filtro.

Remoción e instalación cuando se utiliza el vástago Qwik Lock™

Remoción del filtro:

1. Sostenga las lengüetas del filtro Qwik Lock™ en cada mano.
2. Con un dedo pulgar en el vástago Qwik Lock™, que sobresale a través de la placa del filtro integrada, levante las lengüetas del filtro a la vez que empuja hacia abajo sobre el vástago.
3. Esta acción hará que el filtro se suelte de la jaula del filtro. Deslice el filtro hasta retirarlo de la jaula. Repita el procedimiento para el segundo filtro.

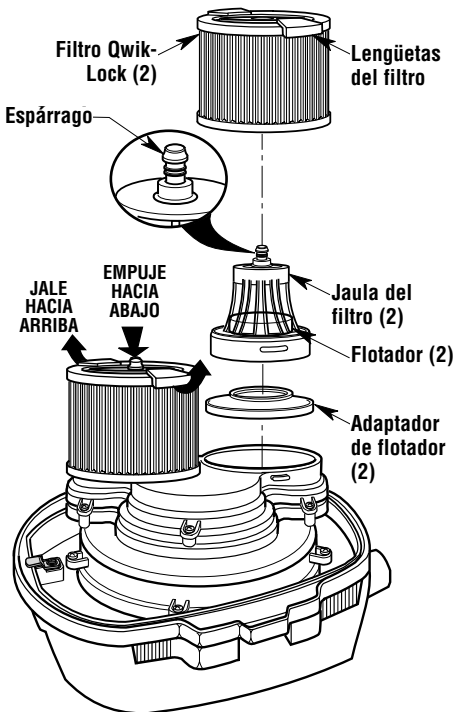


Mantenimiento (continuación)

Instalación del filtro:

1. Deslice cuidadosamente el filtro Qwik Lock™ sobre la jaula del filtro y presione hacia abajo sobre el borde exterior del filtro hasta que el empaque de goma ubicado en la parte inferior del filtro se asiente firmemente alrededor de la base de la jaula del filtro y contra la tapa.
2. Alinee el agujero central pequeño ubicado en la parte superior del filtro sobre el vástago Qwik Lock™ ubicado en la jaula del filtro. Presione firmemente sobre la parte de arriba del filtro cerca del vástago, para permitir que el filtro se acople a presión sobre la bola ubicada en el extremo del vástago. Una vez hecho esto, el filtro estará instalado. Repeat for second filter.

NOTA: Si no se asienta apropiadamente el empaque inferior, el resultado podría ser que los residuos pasen por alto el filtro.



⚠ ADVERTENCIA: No utilice la unidad sin filtros o si sólo tiene instalado un filtro, a menos que vaya a recoger líquidos. Para recoger líquidos se deben retirar ambos filtros. No utilice la aspiradora sin las jaulas de filtro, los adaptadores de flotador y los flotadores, ya que estas piezas impiden que entre líquido en el impulsor y dañe el motor.

IMPORTANTE: Para evitar dañar la rueda del soplador y el motor, reinstale siempre ambos filtros antes de utilizar la aspiradora para recoger materiales secos.

NOTA: Para obtener los mejores resultados de limpieza debido al polvo acumulado, limpie los filtros en un área abierta. La limpieza se DEBERÁ realizar a la intemperie y no en las áreas de vivienda.

Retire los filtros de la aspiradora. Golpee suavemente los filtros contra la pared interior del tambor para polvo y los residuos se soltarán y caerán.

IMPORTANTE: Después de realizar la limpieza, compruebe los filtros para determinar si tienen desgarraduras o agujeros pequeños. No utilice filtros que tengan agujeros o desgarraduras. Incluso un pequeño agujero puede hacer que salga una gran cantidad de polvo de la aspiradora. Si los filtros están dañados, reemplácelos de inmediato.

Limpieza y desinfección de la aspiradora para mojado/seco

Para mantener el mejor aspecto posible de la aspiradora para mojado/seco, limpie su exterior con un paño humedecido con agua templada y un jabón suave.

Para limpiar el tambor:

1. Vacíe de residuos el tambor.
2. Lave a fondo el tambor con agua templada y un jabón suave.
3. Limpie el tambor con un paño seco.

Antes de un almacenamiento prolongado o según sea necesario (por ejemplo, si se recogen aguas residuales), se debe desinfectar el tambor.

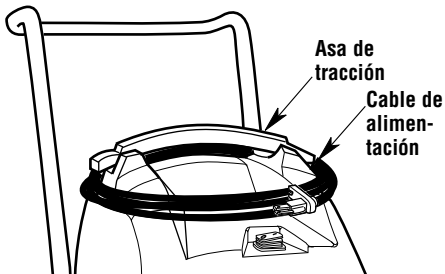
Mantenimiento (continuación)

Para desinfectar el tambor:

1. Eche 1 galón de agua y 1 cucharadita de blanqueador de cloro en el tambor.
2. Deje que la solución repose durante 20 minutos y agítela cuidadosamente cada pocos minutos, asegurándose de mojar todas las superficies interiores del tambor.
3. Vacíe el tambor después de 20 minutos. Enjuáguelo con agua hasta que el olor a blanqueador desaparezca. Deje que el tambor se seque completamente antes de sellar el motor sobre el tambor.

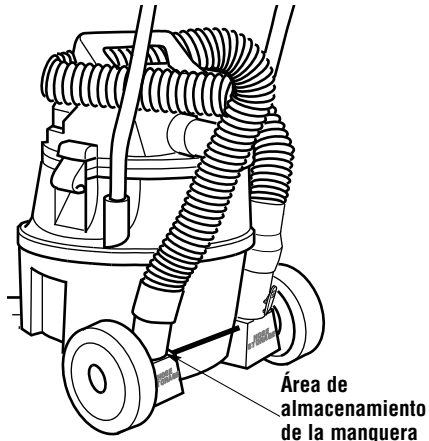
Mantenimiento del cordón

Cuando se haya completado la limpieza con la aspiradora, desenchufe el cordón y enróllelo alrededor de la cubierta del motor. La conexión del cordón de energía es del Tipo Y. Si el cordón de energía está dañado, debe ser reemplazado por el fabricante o su agente de servicio, o por personal similarmente calificado, para reducir el riesgo de accidente.



Almacenamiento

Antes de almacenar la aspiradora, se debe vaciar y limpiar el tambor para polvo. El cordón se debe enrollar alrededor de la unidad. La manguera se puede almacenar enrollándola alrededor de la unidad y acoplado el extremo abierto en una de las ubicaciones de almacenamiento situadas en el ensamblaje de la base de soporte de almacenamiento. La aspiradora se debe almacenar en interiores.



Ruedecillas y ruedas

Si el carro rechina o es difícil de hacer rodar, debe poner dos o tres gotas de aceite de uso general en el eje de cada rueda. Si las ruedecillas hacen ruido, puede poner una gota de aceite en el eje del rodillo para que hagan menos ruido.

Armazón y mangos

El mango metálico está pintado para impedir la formación de herrumbre. Sin embargo, los líquidos y los residuos corrosivos deben limpiarse con un paño suave si entran en contacto con el mango.

⚠ ADVERTENCIA: Para garantizar la **SEGURIDAD y CONFIABILIDAD** del producto, las reparaciones y los ajustes deben realizarse por **Centros de Servicio autorizados, usando siempre piezas de repuesto RIDGID.**

Piezas de repuesto

Aspiradora Smart-Pulse de 14 galones EE.UU.

Número de existencias RV3410 (modelo RV34100)

Las piezas RIDGID se encuentran disponibles en línea conectándose a www.ridgidparts.com

Pida siempre por número de pieza —no por número de clave

▲ Para reducir el riesgo de lesiones por causa de descargas eléctricas, desenchufe el cable de alimentación antes de hacer servicio de ajustes y reparaciones de las piezas eléctricas de la aspiradora.

No. de clave	No. de pieza RV3410	Descripción
1*	510322	Ensamblaje del cabezal del motor (incluye los números de clave 2 - 18)
2	831657-3	Ensamblaje del cordón
3	510321	Ensamblaje de la cubierta del motor
4	835195-2	Asa de transporte
5	833518	Empaquetadura para la tapa superior
6	827415	Empaquetaduras (se requieren 2)
7	831567	Motor
8	510320	Arnés de cableado (de alimentación/conexión a tierra)
9	510325	Accionador con soporte (se requieren 2)
10	835193-2	Tapa superior
11	510318	Módulo de control
12	822374-8	Kit de escobillas del motor (1 juego)
13	835191	Tapa inferior
14	510324	Ensamblaje de la válvula (vástago, resorte, tornillo, válvula con empaquetadura: incluye 2 de cada)
15	510319	Tubos (juego de 3)
16	510336	Ensamblaje del resorte de conexión a tierra
17	835194	Múltiple
18	510332	Ensamblaje de jaula (1 jaula de filtro, 1 flotador, 1 adaptador de flotador)
19	VF3800	Filtros VF3800 (se requieren 2)

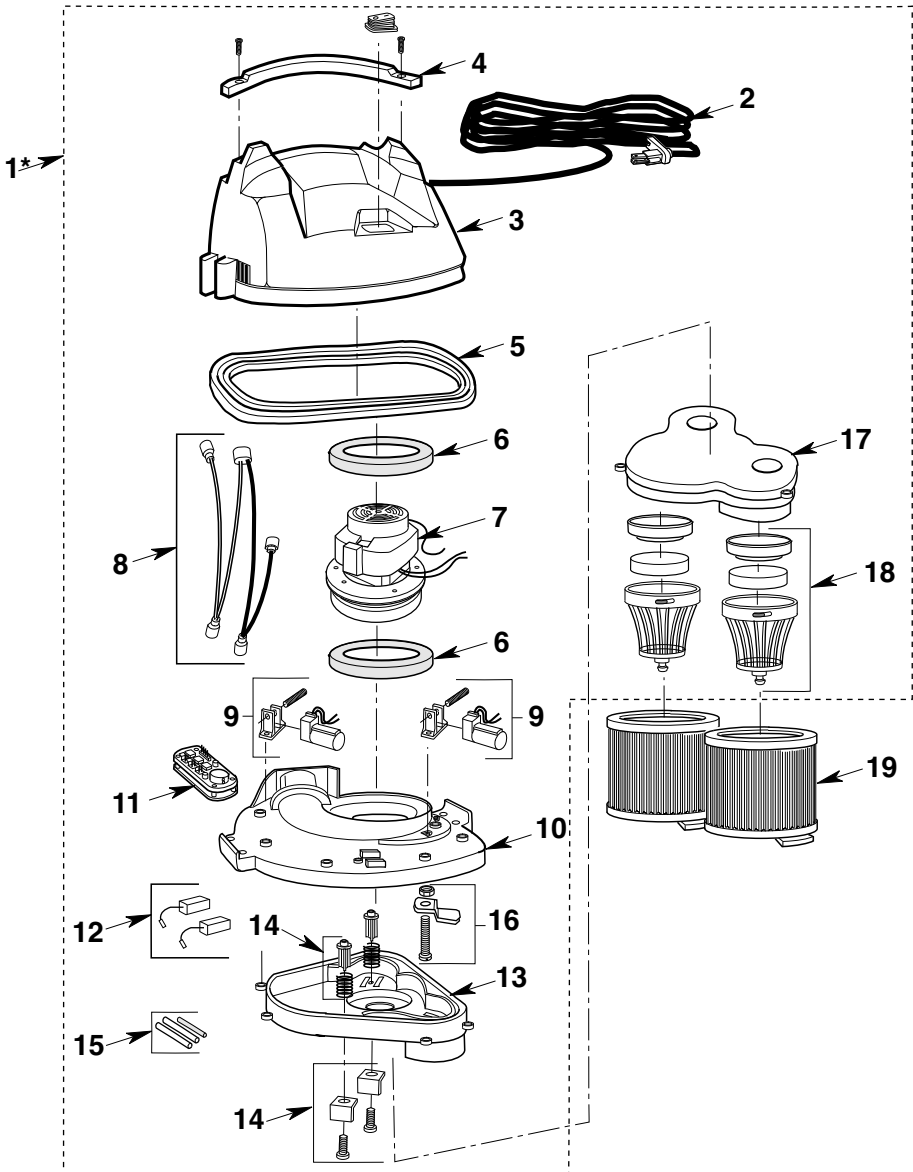
* Todas las piezas se incluyen en el ensamblaje del cabezal del motor (núm. 1) (excepto los 2 filtros).

Piezas de repuesto (continuación)

Aspiradora Smart-Pulse
de 14 galones EE.UU.

Número de existencias RV3410 (modelo RV34100)

Las piezas RIDGID se encuentran disponibles en línea conectándose a www.ridgidparts.com



Piezas de repuesto (continuación)

Aspiradora Smart-Pulse de 14 galones EE.UU.

Número de existencias RV3410 (modelo RV34100)

Las piezas RIDGID se encuentran disponibles en línea conectándose a www.ridgidparts.com

Pida siempre por número de pieza —no por número de clave

▲ Para reducir el riesgo de lesiones por causa de descargas eléctricas, desenchufe el cable de alimentación antes de hacer servicio de ajustes y reparaciones de las piezas eléctricas de la aspiradora.

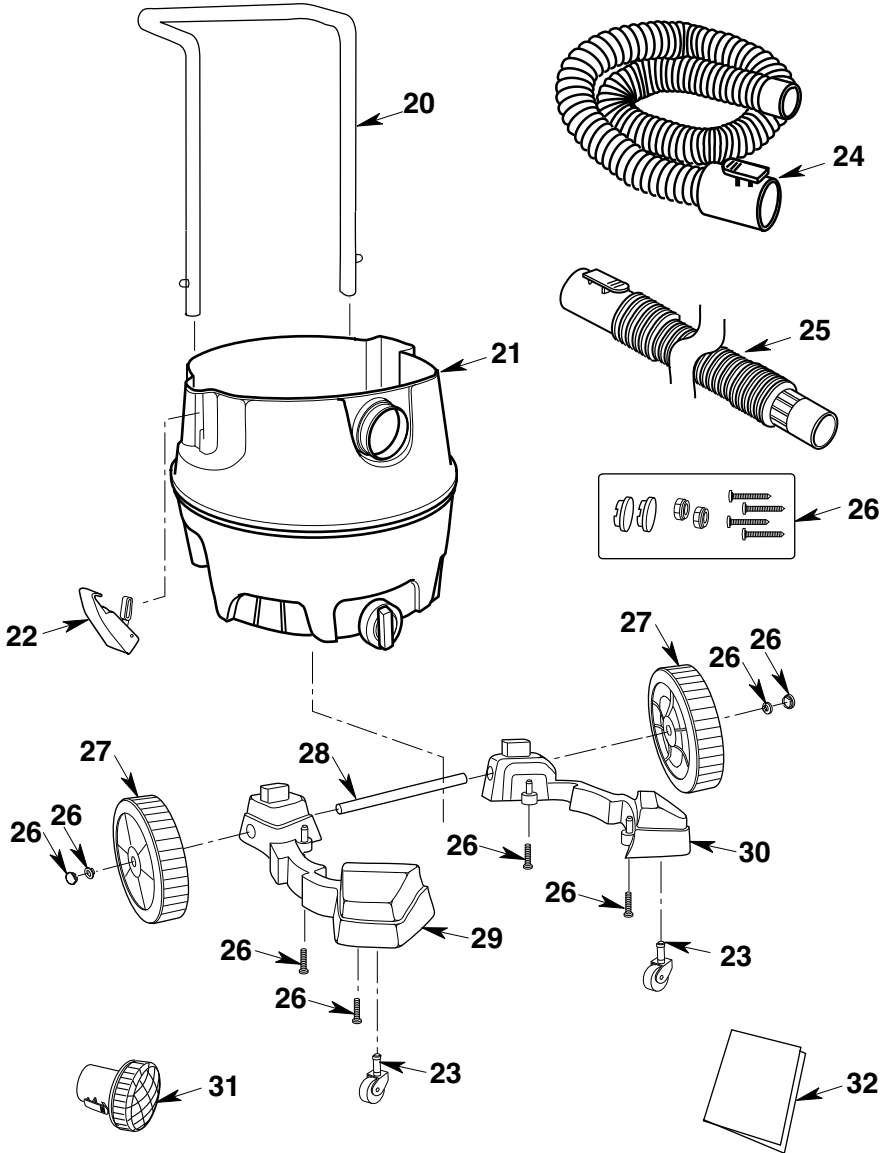
No. de clave	No. de pieza RV3410	Descripción
20	830686	Ensamblaje del asa del tambor
21	510323	Ensamblaje del tambor
22	510333	Ensamblaje de pestillo del tambor (juego completo)
23	832123	Ruedecillas (se requieren 2)
24	831337-11	Ensamblaje de manguera de 15 pies
25	VT2580	Manguera de 15 pies disipadora de electricidad estática VT2580 (opcional)
26	509944	Bolsa de piezas sueltas (tapas de rueda, tuercas de tapa de 1/2 pulgada, tornillos núm. 10 x 1-3/4 pulgadas)
27	832190	Ruedas de 8 pulgadas (se requieren 2)
28	831024	Eje (1)
29	830577	Base de soporte de almacenamiento izquierda
30	830576	Base de soporte de almacenamiento derecha
31	830675-2	Difusor
32	SP6906	Manual del usuario

Piezas de repuesto (continuación)

Aspiradora Smart-Pulse
de 14 galones EE.UU.

Número de existencias RV3410 (modelo RV34100)

Las piezas RIDGID se encuentran disponibles en línea conectándose a www.ridgidparts.com





- **Qué está cubierto**

Se garantiza que las aspiradoras para mojado/seco RIDGID® están libres de defectos de fabricación y de materiales.

- **Cuánto dura la cobertura**

Esta garantía dura toda la vida de las aspiradoras para mojado/seco RIDGID®.

- **Cómo puede obtener servicio**

Para obtener el beneficio de esta garantía, envíe el producto completo mediante transporte prepago a RIDGE TOOL COMPANY, Elyria, Ohio, o a cualquier CENTRO DE SERVICIO INDEPENDIENTE RIDGID®. Las llaves para tubos y otras herramientas de mano deben devolverse al establecimiento de compra.

- **Qué haremos para corregir los problemas**

Las aspiradoras para mojado/seco garantizadas serán reparadas o reemplazadas, a opción de Ridge Tool Company, y serán devueltas sin cargo; o si después de tres intentos de reparar o reemplazar la aspiradora para mojado/seco durante el período de garantía ésta aún presenta defectos, usted puede optar por recibir un reembolso completo de su precio de compra.

- **Qué no está cubierto**

Las averías debidas a uso incorrecto, abuso o desgaste por el uso normal no están cubiertas por esta garantía. RIDGE TOOL COMPANY NO SERÁ RESPONSABLE DE NINGÚN DAÑO FORTUITO NI EMERGENTE.

- **Cómo se relaciona la ley local con la garantía**

Algunos estados no permiten la exclusión o limitación de los daños fortuitos o emergentes, por lo que es posible que la limitación o exclusión que antecede no tenga aplicación en su caso. Esta garantía le confiere a usted derechos específicos y es posible que también tenga otros derechos, que varían de un estado a otro, una provincia a otra o un país a otro.

- **Ninguna otra garantía expresa tiene aplicación**

Esta GARANTÍA COMPLETA DE POR VIDA es la garantía única y exclusiva de las aspiradoras para mojado/seco RIDGID®. Ningún empleado, agente, distribuidor u otra persona está autorizado a alterar esta garantía ni a dar ninguna otra garantía en nombre de Ridge Tool Company.

No. de existencias RV3410

No. de modelo RV34100

El número de modelo y el número de serie se pueden encontrar cerca del orificio de soplado. Debe anotar tanto el número de modelo como el de serie en un lugar seguro para uso futuro.

¿PREGUNTAS O COMENTARIOS? COMUNÍQUESE CON NOSOTROS EN

www.ridgidvacs.com

En los EE.UU. y Canadá, llame al 1-800-4-RIDGID

En México, llame al 01-800-701-9811.

Por favor, tenga a mano su número de modelo y número de serie cuando llame.



EMERSON

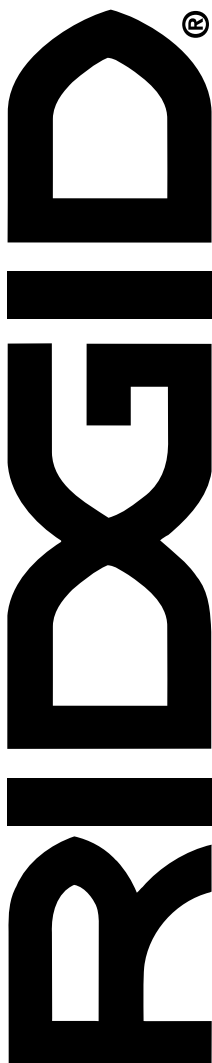
Commercial & Residential Solutions

© 2014 Emerson

No. de pieza SP6906

No. de formulario SP6906

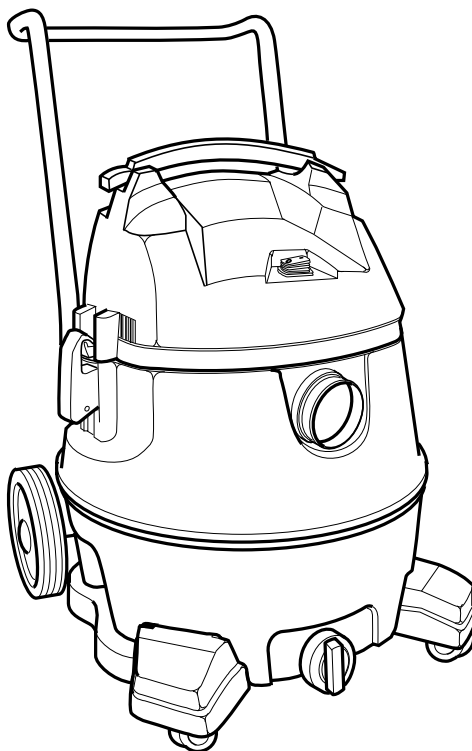
Impreso en México 11/14



MODE D'EMPLOI

ASPIRATEUR SMART-PULSE
DE 14 GALLONS

RV34100



EN CAS DE QUESTIONS OU POUR OBTENIR DES INFORMATIONS,
VEUILLEZ NOUS CONTACTER AU :

www.ridgidvacs.com

1-800-4-RIDGID (1-800-474-3443) depuis les États-Unis et le Canada
01-800-701-9811 depuis le Mexique

▲ AVERTISSEMENT :

Pour réduire le risque de blessure, l'utilisateur doit lire et comprendre le mode d'emploi avant d'utiliser ce produit.

Merci d'avoir acheté un produit RIDGID.

• Español - página 21

CONSERVER CE MANUEL POUR RÉFÉRENCE FUTURE



Table des matières

Section	Page	Section	Page
Instructions importantes relatives à la sécurité . . .	42	Sacs de collecte de poussière (en option)	51
Termes de signalisation de questions		Aspiration de liquides	51
de sécurité	42	Vidage du tambour	52
Instructions relatives à la mise à la terre	44	Fonction de souffleuse	52
Introduction	45	Transport de l'aspirateur de liquides	
Déballage et vérification du contenu du carton . . .	46	et de poussières	52
Assemblage de l'aspirateur de liquides		Diffuseur	53
et de poussières	47	Tuyau accessoire de dissipation	
Assemblage du chariot	48-49	de l'électricité statique	53
Fonctionnement	50-52	Entretien	51-53
Aspiration de matériaux secs	51	Pièces de rechange	54-55
		Garantie	60

INSTRUCTIONS IMPORTANTES RELATIVES À LA SÉCURITÉ

La sécurité est une combinaison de faire preuve de bon sens, rester vigilant et savoir comment votre aspirateur de liquides et de poussières (l'« aspirateur ») fonctionne.

Termes de signalisation de questions de sécurité

▲ DANGER : indique une situation dangereuse qui, si elle n'est pas évitée, causera la mort ou une blessure grave.

▲ AVERTISSEMENT : indique une situation dangereuse qui, si elle n'est pas évitée, risque de causer la mort ou une blessure grave.

▲ MISE EN GARDE : indique une situation dangereuse qui, si elle n'est pas évitée, pourrait causer une blessure légère ou modérée.

Prenez toujours des précautions élémentaires, notamment les précautions suivantes, lorsque vous utilisez votre aspirateur de liquides et de poussières :

▲ AVERTISSEMENT

– Pour réduire le risque d'incendie, de choc électrique ou de blessure :

- Lisez et comprenez ce manuel et toutes les étiquettes placées sur l'aspirateur avant de mettre celui-ci en marche.
- N'utilisez l'aspirateur que comme cela est décrit dans ce mode d'emploi.
- Ne laissez pas en marche pendant que vous êtes absent – vous vous risqueriez de manquer des signes importants indiquant un fonctionnement anormal, comme une perte de puissance d'aspiration, la sortie de débris ou de liquides par la bouche de soufflage d'air ou des bruits anormaux en provenance du moteur. Cessez immédiatement d'utiliser l'aspirateur si vous constatez de tels signes.
- Ne laissez pas l'aspirateur sans surveillance quand il est branché dans une prise de courant. Débranchez-le de la prise quand il n'est pas utilisé et avant toute opération de maintenance.
- Des étincelles à l'intérieur du moteur risquent de mettre feu à des vapeurs ou poussières inflammables. Pour réduire le risque d'incendie ou

d'explosion : n'utilisez pas à proximité de gaz ou de liquides inflammables ou combustibles, ou de poussières explosives, comme de l'essence automobile ou d'autres fiouls, de l'essence à briquet, des produits de nettoyage, de la peinture à l'huile, du gaz naturel, de l'hydrogène, de la poussière de charbon, de la poussière de magnésium, de la poussière d'aluminium, de la poussière de céréales ou de la poudre.

- N'aspirez jamais de matières en train de brûler ou des matières fumigènes, telles que des cigarettes, des allumettes ou des cendres chaudes.
- Cet aspirateur n'est pas conçu pour le nettoyage de substances à base de plomb (programme RRP de l'EPA aux États-Unis).
- Des particules extrêmement petites risquent de passer à travers le filtre. Portez toujours des équipements de protection et de sécurité appropriés.
- Pour réduire le risque d'inhalation de vapeurs toxiques, n'aspirez pas de matériaux toxiques ou dangereux, et n'utilisez pas à proximité de tels matériaux.
- Pour réduire le risque de choc électrique, n'exposez pas à la pluie et empêchez l'entrée de liquides dans le compartiment du moteur. Rangez à l'intérieur.
- Ne laissez pas les enfants se servir de l'aspirateur comme d'un jouet. Il faut surveiller de très près quand il est utilisé par des enfants ou à proximité d'enfants.
- N'utilisez pas avec un filtre déchiré ou sans avoir installé de filtre, sauf quand vous aspirez des liquides, comme cela est décrit dans ce mode d'emploi. Des débris secs capturés par la roue risquent d'endommager le moteur ou d'être expulsés à nouveau dans l'air ambiant.
- Éteignez l'aspirateur avant de le débrancher.
- Pour réduire le risque de blessure pouvant être causée par une mise en marche accidentelle, débranchez le cordon d'alimentation avant de changer le filtre ou de le nettoyer.
- Ne débranchez pas en tirant sur le cordon. Pour débrancher, saisissez la fiche – pas le cordon.





- N'utilisez pas l'aspirateur avec une fiche, un cordon ou un autre composant endommagé. Si votre aspirateur ne fonctionne pas comme il faut, s'il manque des pièces, s'il quelqu'un l'a laissé tomber, s'il est endommagé, s'il a été laissé à l'extérieur ou s'il est tombé dans de l'eau, téléphonez au service d'assistance à la clientèle.
- Ne tirez pas l'aspirateur et ne le portez pas par son cordon, n'utilisez pas le cordon pour servir de poignée, ne fermez pas une porte sur le cordon et ne laissez pas le cordon tendu passer sur des bords ou des coins tranchants. Ne traînez pas l'aspirateur sur son cordon. Maintenez le cordon à distance des surfaces chauffées.
- Ne touchez pas la fiche, l'interrupteur ou l'aspirateur avec des mains mouillées.
- Utilisez seulement des cordons de rallonge mis à la terre qui sont conçus pour une utilisation à l'extérieur. Les cordons de rallonge en mauvais état ou trop petits en termes de calibre des fils peuvent poser des risques d'incendie et de choc électrique. Pour réduire le risque de tels dangers, inspectez les cordons pour vous assurer qu'ils sont en bon état et que le liquide n'entre pas en contact avec le raccordement. N'utilisez pas de cordons de rallonge dont les conducteurs ont un calibre inférieur à 16 AWG. Pour réduire la perte d'énergie, utilisez un cordon de rallonge de calibre 14 s'il mesure entre 7,5 et 15 mètres de long, ou de calibre 12 s'il mesure 15 mètres de long ou plus.
- Ne mettez aucun objet dans les orifices de ventilation. N'aspirez pas quand de quelconques orifices de ventilation sont obstrués ; assurez-vous que ces orifices ne sont pas bloqués par de la poussière, de la peluche, des cheveux ou de quelconques objets pouvant réduire la circulation de l'air.
- Gardez les cheveux, les vêtements flottants, les doigts et toutes les parties du corps à distance des orifices et des pièces mobiles.
- Pour réduire le risque de chute, faites très attention lorsque vous utilisez l'aspirateur dans des escaliers.
- Pour réduire le risque de vous faire mal au dos ou de tomber, ne soulevez pas un aspirateur qui est lourd en raison de la présence de liquides ou de débris aspirés. Videz partiellement l'aspirateur en écopant ou en purgeant de façon à l'alléger pour pouvoir le soulever plus facilement.
- Pour réduire le risque de blessure ou le risque d'endommagement de l'aspirateur, n'utilisez que des accessoires recommandés par Ridgid.
- En cas d'utilisation de l'aspirateur comme soufflante :
 - Ne dirigez la décharge d'air que vers la zone de travail.
 - Ne dirigez pas l'air vers des personnes présentes à proximité.
 - Gardez les enfants à distance lors du fonctionnement de la soufflante.
 - N'utilisez la soufflante que pour souffler des saletés et des débris.
 - N'utilisez pas en guise de pulvérisateur.
 - Portez des lunettes de sécurité.
- Pour réduire le risque de blessure pour les yeux, portez des lunettes de sécurité. L'utilisation de toute soufflante ou de tout aspirateur utilitaire peut toujours causer la projection de corps étrangers dans les yeux, ce qui risque d'entraîner des blessures graves aux yeux.
- Pour réduire le risque d'être frappé ou entraîné par un aspirateur en train de rouler, bloquez les roulettes lorsque vous utilisez l'aspirateur sur une surface inégale ou inclinée.
- Raccordez à une prise de courant correctement mise à la terre. Voir instructions relatives à la mise à la terre.

▲ MISE EN GARDE :

- Pour réduire le risque de perte auditive, portez des protecteurs d'oreilles lorsque vous vous servez de l'aspirateur pendant plusieurs heures ou quand vous l'utilisez dans un environnement bruyant.
- Portez un masque antipoussières en cas d'utilisation dans un environnement poussiéreux.
- Les décharges statiques sont fréquentes dans les endroits secs ou lorsque l'humidité relative de l'air ambiant est faible. L'aspiration de débris fins avec votre aspirateur peut déposer une charge statique sur le tuyau ou sur l'aspirateur. La meilleure chose à faire pour réduire la fréquence des décharges statiques chez vous ou lorsque vous utilisez cet aspirateur consiste à ajouter de l'humidité dans l'air avec un humidificateur.

Observez les avertissements suivants qui figurent sur le carter du moteur de votre aspirateur :

▲ AVERTISSEMENT : pour votre propre sécurité, lisez et comprenez le manuel de l'opérateur. Ne laissez jamais l'aspirateur en marche sans surveillance. Ne ramassez pas de cendres chaudes, de charbon ou de matières toxiques, inflammables ou dangereuses. N'utilisez pas à proximité de vapeurs ou de liquides explosifs.

▲ AVERTISSEMENT : pour réduire le risque de choc électrique – n'exposez pas à la pluie – rangez à l'intérieur.

▲ MISE EN GARDE : Pour réduire le risque de choc électrique, utilisez le tuyau de dissipation de l'électricité statique VT2580.

CONSERVER CE MANUEL



Instructions relatives à la mise à la terre

Cet appareil doit être mis à la terre. En cas de problème électrique, la mise à la terre fournit un chemin de moindre résistance pour le courant électrique afin de réduire le risque de choc électrique. Cet appareil est muni d'un cordon ayant un conducteur de mise à la terre de l'équipement et d'une fiche de mise à la terre. La fiche doit être insérée dans une prise appropriée qui est installée correctement et mise à la terre conformément à tous les codes et règlements municipaux.

Cet appareil est conçu en vue d'un emploi sur un circuit de 120 volts de valeur nominale, et il a une fiche de mise à la terre qui ressemble à la fiche figurant sur l'illustration. Un adaptateur temporaire ressemblant à celui qui est illustré peut être utilisé pour raccorder cette fiche à une prise à deux broches, telle que celle qui est illustrée. S'il n'existe pas de prise de courant correctement mise à la terre, l'adaptateur temporaire peut être utilisé, mais seulement jusqu'à ce qu'une prise de courant correctement mise à la terre puisse être installée par un électricien professionnel.

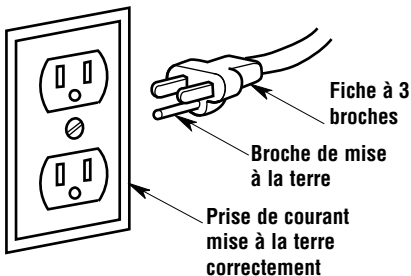
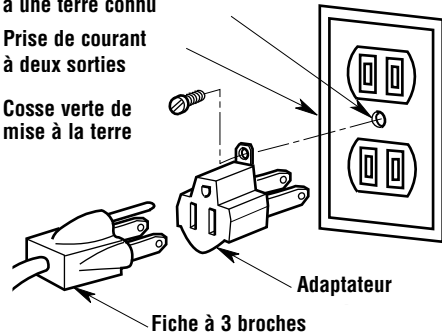
⚠ AVERTISSEMENT :

Un raccordement inadéquat du conducteur de mise à la terre de l'équipement risque de produire un risque de choc électrique. Consultez un électricien professionnel ou un réparateur compétent en la matière si vous avez le moindre doute quant à la mise à la terre de la prise de courant. Ne modifiez pas la fiche fournie avec cet appareil – si elle ne tient pas dans la prise de courant, demandez à un électricien professionnel d'installer une prise de courant avec mise à la terre conforme aux stipulations du code.

Veillez à ce que cet élément soit une vis en métal qui aboutit à une terre connue

Prise de courant à deux sorties

Cosse verte de mise à la terre



La cosse, la saillie ou tout autre élément de couleur verte sortant de l'adaptateur doit être raccordé à une terre permanente telle qu'un cache de coffret de prise de courant correctement mise à la terre. Quand il est utilisé, l'adaptateur doit être maintenu en place par une vis en métal.

REMARQUE : au Canada, le Code national d'électricité interdit l'utilisation d'un adaptateur temporaire.



Introduction

Cette machine est munie d'un système de nettoyage automatique des filtres qui est très efficace pour réduire l'accumulation de particules sur les filtres. Tout au long du fonctionnement, ce système contrôle le niveau de performance de l'aspirateur. Quand une chute de performance à un niveau déterminé à l'avance se produit, le cycle de nettoyage du filtre est déclenché. Après que les filtres ont été nettoyés, la machine retourne en mode de contrôle jusqu'à ce que le cycle de nettoyage suivant soit nécessaire. Si les cycles de nettoyage se déclenchent de plus en plus fréquemment ou si le système ne semble pas retourner en mode de contrôle à la fin du cycle de nettoyage, cela peut signifier que le moment est venu de vider le tambour et / ou de nettoyer les deux filtres à la main ou de les remplacer.

Remarque : Il est normal d'entendre un déclic pendant le cycle de nettoyage.

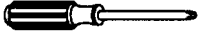
Remarque : Pour que cet aspirateur fonctionne correctement, il faut que deux filtres à cartouche soient constamment installés.

Cet aspirateur est conçu pour utilisation commerciale aussi bien que ménagère. Il est fourni avec deux filtres VF3800. Il peut être utilisé pour ramasser non seulement des substances telles que de la sciure de bois et des gravats, mais également des substances ultra fines telles que de la poussière de cloisons sèches et de béton. Les substances de ce type sont tellement petites qu'elles passeraient à travers les filtres traditionnels. Un tuyau accessoire de dissipation de l'électricité statique en option (VT2580) est disponible pour les opérations de ramassage qui ont tendance à causer une accumulation de charges d'électricité statique.

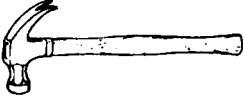


Déballage et vérification du contenu du carton

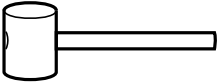
Outils nécessaires



Tournevis à tête cruciforme



Marteau



Maillet

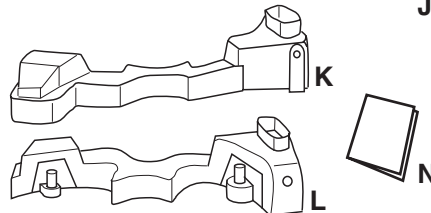
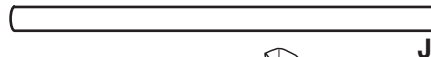
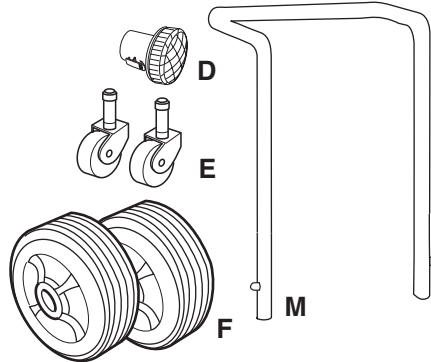
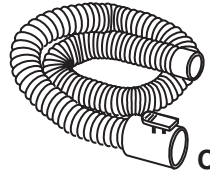
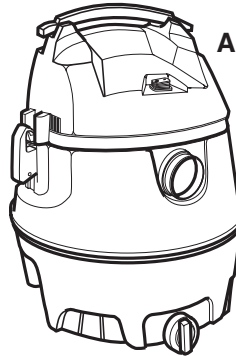
Se référer au croquis d'assemblage pour le positionnement des pièces.

Retirez tous les éléments se trouvant dans la boîte en carton. Inspectez chaque élément en le comparant à la liste incluse dans la boîte en carton. Téléphonez au 1-800-4-RIDGID (1-800-474-3443) depuis les États-Unis et le Canada ou rendez-vous sur le site www.ridgidvac.com si de quelconques composants sont endommagés ou manquants

Liste du contenu de la boîte en carton

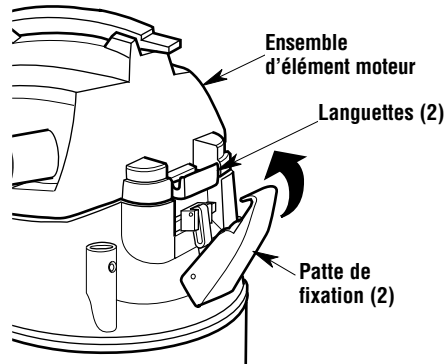
Légende	Description	Qté
A	Ensemble d'aspirateur de liquides et de poussières	1
B*	Filtres	2
C	Tuyau ProHose de 15 pi (4,5 m)	1
D	Silencieux/diffuseur	1
E	Roulettes de 2 po	2
F	Roues de 8 po	2
G	Chapeaux de roue	2
H	Écrous borgne de 1/2 po	2
I	Vis N° 10 x 1 3/4	4
J	Axe	1
K*	Chariot, côté droit	1
L*	Chariot, côté gauche	1
M	Poignée en métal	1
N	Mode d'emploi	1

* Il se peut que ces éléments soient fournis pré-assemblés



Assemblage de l'aspirateur

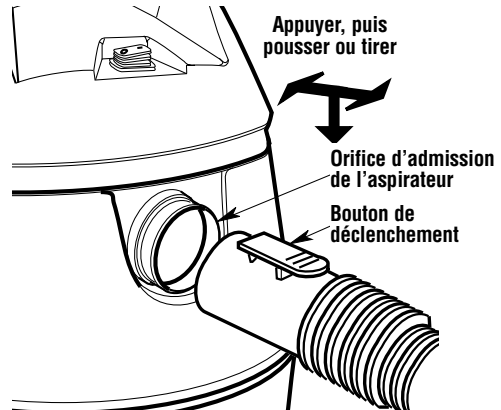
1. Positionnez l'ensemble de bloc-moteur sur le tambour comme illustré.
2. Accrochez les loquets sur les languettes de l'ensemble de bloc-moteur.
3. Appuyez sur les loquets jusqu'à ce qu'ils soient bien enclenchés contre les côtés du réservoir.



Insertion du tuyau flexible

Insérez l'extrémité du bouton poussoir du tuyau verrouillable à l'intérieur de l'orifice d'admission de l'aspirateur. Le tuyau devrait se mettre en place avec un bruit sec.

Pour retirer le tuyau de l'aspirateur, appuyez sur le bouton de déclenchement sur le tuyau et tirez sur le tuyau jusqu'à ce qu'il sorte de l'orifice d'aspiration de l'appareil, tel que cela est illustré.

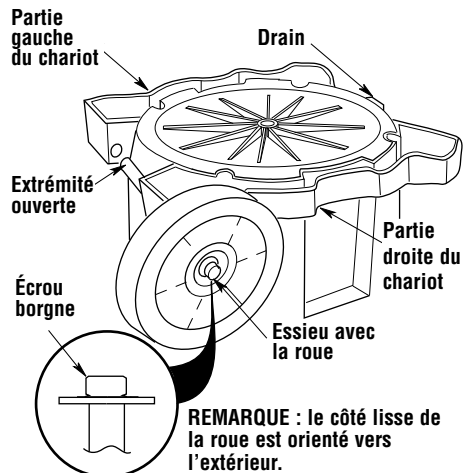
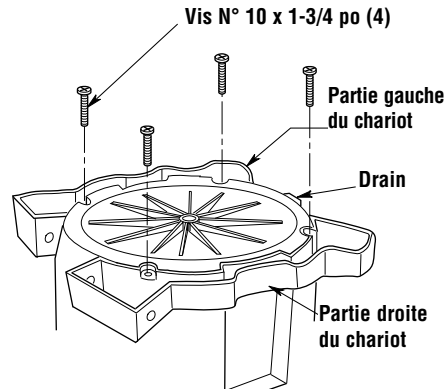
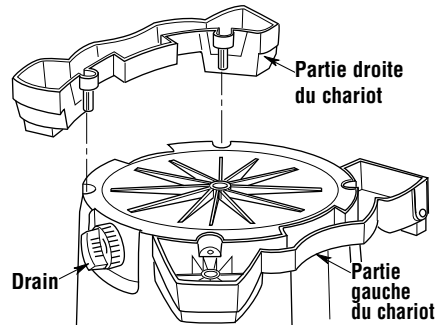


Assemblage du chariot

Veillez contacter le service clientèle si de quelconques pièces sont endommagées ou manquantes.

Ne commencez pas le montage si vous ne disposez pas de toutes les pièces.

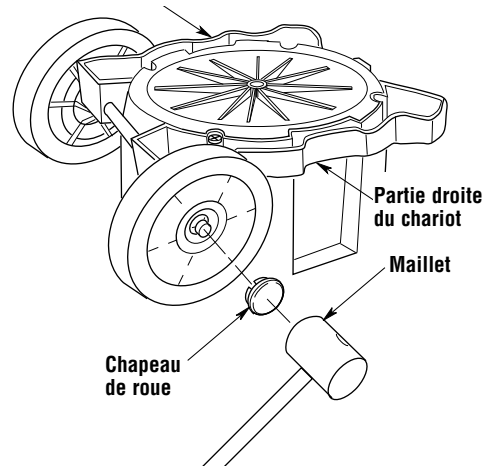
1. Insérez le chariot de gauche et le chariot de droite dans la partie inférieure du tambour comme illustré. Vous devrez peut-être tapoter légèrement avec un maillet ou un marteau pour enfoncer suffisamment chacun des chariots.
2. Installez (4) vis N° 10 x 1 3/4 po dans les trous correspondants des côtés de droite et de gauche du chariot, en assujettissant les supports au fond du tambour. Serrez les vis, mais pas à fond. Si vous les serriez excessivement, ceci risquerait de déformer le chariot.
3. Installation de l'écrou de l'enjoliveur
 - a. Placez l'écrou de l'enjoliveur sur l'extrémité de l'essieu.
 - b. Tapotez doucement avec un marteau jusqu'à ce qu'il soit bien enfoncé.
 - c. Placez la roue sur l'essieu de façon que la partie lisse de la roue soit orientée vers l'extérieur.



Assemblage du chariot (suite)

- Faites glisser l'extrémité de l'essieu à travers le chariot de gauche en vous assurant que la fente prévue pour le pied soit alignée sur le trou pratiqué dans le chariot. Faites glisser complètement à travers le chariot de droite. Vous devrez peut-être tapoter légèrement avec un maillet pour pouvoir insérer complètement l'essieu.
- Installez la deuxième roue sur l'essieu de façon que la partie lisse de la roue soit orientée vers l'extérieur.
- Installez le deuxième écrou de l'enjoliveur. Tapotez doucement jusqu'à ce que l'écrou soit bien enfoncé.
- En utilisant un maillet en caoutchouc ou un marteau, tapotez doucement sur l'enjoliveur de la roue contre la roue de droite jusqu'à ce que l'enjoliveur de la roue soit fermement enfoncé sur la roue. Ceci doit être effectué du côté gauche et du côté droit.
- Insérez la tige de la roulette dans la douille du pied de la roulette comme illustré. (Roulette avant seulement)
- Appuyez sur la roulette jusqu'à ce que la bille de la tige de la roulette soit insérée complètement dans la douille. Vous pourrez entendre le déclic produit par l'insertion de la bille dans la douille, et la roulette pourra pivoter facilement une fois que le positionnement sera correct.

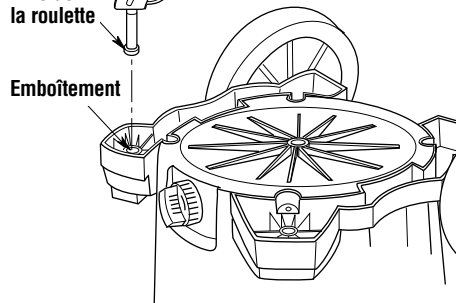
Partie gauche du chariot



Tige de la roulette

Bille de la roulette

Emboîtement



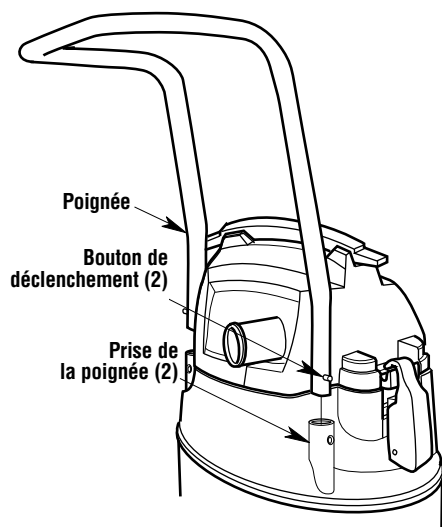
Mise en place de la poignée

Appuyez sur les boutons de déclenchement, et maintenez-les enfoncés, pendant que vous placez la poignée dans les logements de la poignée situés sur le tambour (veuillez vous reporter à l'illustration).

REMARQUE : lorsque vous entendrez un bruit sec provenant des boutons de déclenchement, cela indiquera que la poignée a été correctement engagée.

Retrait de la poignée

Appuyez sur les boutons de déclenchement, et maintenez-les enfoncés, tel que cela est illustré. Tout en appuyant fermement sur les boutons de déclenchement, tirez la poignée vers le haut afin de la retirer (veuillez vous reporter à l'illustration).



Fonctionnement

⚠ AVERTISSEMENT : pour réduire le risque d'incendie, d'explosion ou d'endommagement de l'aspirateur :

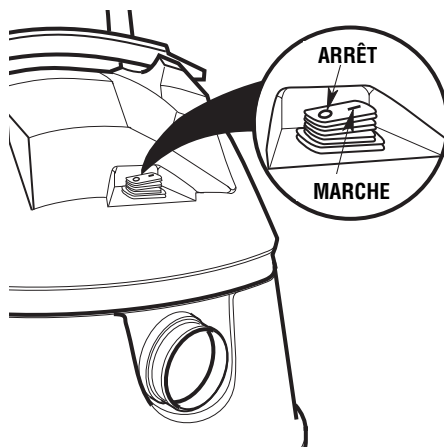
- Ne laissez pas en marche pendant que vous êtes absent – vous vous risqueriez de manquer des signes importants indiquant un fonctionnement anormal, comme une perte de puissance d'aspiration, la sortie de débris ou de liquides par la bouche de soufflage d'air ou des bruits anormaux en provenance du moteur. Cessez immédiatement d'utiliser l'aspirateur si vous constatez de tels signes.
- Ne laissez pas l'aspirateur branché lorsque vous ne l'utilisez pas.
- Ne continuez pas à utiliser l'aspirateur lorsque le flotteur a coupé l'aspiration.
- Les étincelles à l'intérieur du moteur risqueraient de mettre feu à des matières inflammables en suspension dans l'air. Ne pas utiliser l'aspirateur à proximité de liquides inflammables ou à des endroits où il y a des gaz ou des vapeurs inflammables, ou de la poussière explosive/dans l'air. Les liquides, gaz et vapeurs inflammables comprennent : essence à briquet, produits de nettoyage du type solvant, peinture à base d'huile, essence, alcool et aérosols. Types de poussières explosives : charbon, magnésium, aluminium, céréales et poudre noire.
- N'aspirez pas de poussières explosives, de liquides inflammables ou de cendres chaudes.

⚠ AVERTISSEMENT : pour réduire le risque de choc électrique ou de blessure :

- N'exposez pas à la pluie, et ne laissez pas de liquides pénétrer dans le compartiment du moteur. Rangez à l'intérieur.
- Ne touchez pas la fiche de branchement, l'interrupteur ou l'aspirateur si vous avez les mains mouillées.
- Débrancher l'aspirateur avant d'effectuer une quelconque opération de maintenance. Si votre aspirateur ne fonctionne pas comme il devrait, si des pièces sont manquantes, si vous l'avez laissé tomber, s'il est endommagé, s'il a été laissé à l'extérieur ou s'il a été immergé dans de l'eau, rappelez-le dans un centre de réparation indépendant ou téléphonez au service d'assistance à la clientèle.
- Lorsque vous utilisez un cordon de rallonge, n'utilisez qu'un cordon prévu pour emploi à l'extérieur et en bon état. Ne laissez pas la connexion entrer en contact avec des liquides.

⚠ MISE EN GARDE : Pour réduire le risque de choc électrique pendant que vous utilisez cet aspirateur, évitez de vous en servir dans des conditions très sèches, ou utilisez le tuyau accessoire de dissipation de l'électricité statique en option VT2580. Branchez toujours le cordon d'alimentation électrique dans une prise de courant mise à la terre de façon correcte.

Mettez l'appareil sous tension en appuyant sur l'interrupteur pour le faire passer de la position « 0 » à la position « I ». Les deux symboles internationaux qui figurent sur l'interrupteur indiquent, respectivement, la position de marche et la position d'arrêt de votre aspirateur.



○ = ARRÊT | = MARCHE



Fonctionnement (suite)

Aspiration de matériaux secs

1. Les filtres doivent toujours être dans la position correcte pour réduire le risque de fuites et d'endommagement possible de l'aspirateur.
2. Votre aspirateur est fourni avec deux filtres VF3800 installés. Lors de l'utilisation de l'aspirateur pour ramasser des poussières très fines, il sera nécessaire de vider le tambour et de nettoyer le filtre à intervalles plus fréquents afin de continuer à bénéficier de la performance maximale de l'aspirateur.

REMARQUE : un filtre sec est nécessaire pour ramasser des matériaux secs. Si l'aspirateur est employé pour ramasser de la poussière alors que le filtre est humide, le filtre se bouchera très vite et il sera ensuite très difficile à nettoyer.

Sacs de collecte de poussière en option

Remarque : Le programme de l'ordinateur incorporé à cet aspirateur ne contrôle que la formation d'obstruction dans les filtres plissés. L'utilisation du sac de collecte de poussière en option empêchera la fonction Smart-Pulse de détecter les obstructions pouvant se former, ce qui entraînera une baisse prématurée de la performance de l'aspirateur.

1. Le sac de collecte de poussière disponible pour cet aspirateur est la pièce catalogue numéro VF3502.
2. Le sac de collecte de poussière n'est conçu QUE pour le nettoyage des débris secs.
3. Si les débris ramassés sont humides, le sac absorbera l'humidité et risquera alors de se détériorer très rapidement, ce qui l'empêchera de remplir son rôle.
4. Si vous utilisez votre aspirateur pour ramasser des poussières fines, le sac de collecte de poussière rendra votre tâche de nettoyage plus facile.

Remarque : Le sac de collecte de poussière DOIT être utilisé conjointement avec des filtres à cartouche plissés. Ne remplissez pas excessivement les sacs de collecte à filtre. Un remplissage excessif de ces sacs pourrait avoir pour effet que le poids des débris ramassés déchire ces sacs et/ou rende difficile le retrait de ces sacs du tambour de l'aspirateur en raison de leur taille physique.

5. Les instructions d'installation et de retrait des sacs de collecte de poussière sont imprimées sur les sacs.

Aspiration de liquides

1. Avant de vous servir de votre aspirateur pour ramasser des débris humides, vérifiez que le tambour est vide et ne comporte ni poussière, ni débris.
2. Retirez les filtres. Une fois que le filtre est retiré, le mécanisme de flotteur s'active pour empêcher que de l'eau ne pénètre à l'intérieur du boîtier de la soufflante du moteur. Si les filtres ne sont pas retirés, de l'eau pourrait entrer dans le boîtier de la soufflante du moteur, ce qui risquerait de causer une surchauffe du moteur et de l'endommager.
3. Lorsque le liquide aspiré atteint un niveau prédéterminé dans le tambour, le flotteur s'élèvera automatiquement afin de couper la circulation de l'air. Lorsque ceci se produit, fermer l'aspirateur, débrancher le cordon électrique et vider le tambour. L'élévation du niveau du flotteur se remarque parce qu'elle correspond à l'arrêt de la circulation de l'air à l'intérieur de l'aspirateur et parce que le bruit du moteur devient alors plus aigu en raison de l'accélération de sa vitesse.

IMPORTANT : pour réduire le risque d'endommager l'aspirateur, il ne faut pas faire fonctionner le moteur pendant que le flotteur est en position élevée.

4. Après avoir utilisé l'aspirateur pour ramasser des liquides, il faut nettoyer le tambour et le laisser sécher complètement avant de le réutiliser. Les filtres doivent être réinstallés avant que vous ne puissiez utiliser à nouveau votre machine pour ramasser des débris secs.



Fonctionnement (suite)

Vidage du tambour

⚠ AVERTISSEMENT : pour réduire le risque de blessure en raison d'une mise en marche accidentelle, débrancher le cordon électrique avant de vider le tambour.

⚠ AVERTISSEMENT : pour réduire le risque de chute ou de blessure au dos il ne faut pas soulever un aspirateur plein de liquide ou de débris. Ramasser ou drainer suffisamment du contenu hors de l'aspirateur afin de rendre l'aspirateur assez léger pour le soulever confortablement.

1. L'aspirateur comporte un orifice de drainage qui permet de vider facilement les liquides. Il suffit de dévisser le capuchon du drain et de soulever le côté opposé de l'aspirateur pour l'incliner légèrement afin de vider le tambour.
2. Une autre option possible consiste à retirer l'ensemble d'élément moteur.
3. Posez l'ensemble d'élément moteur sur le côté sur une surface propre tout en vidant le tambour.
4. Jetez le contenu du tambour dans une poubelle appropriée.

Transport de l'aspirateur de liquides et de poussières

Si vous avez besoin de soulever l'aspirateur pour le déplacer, vous pouvez utiliser les poignées situées sur les côtés du tambour à poussière qui ont été conçues à cet effet. Il faut utiliser la poignée de traction située au-dessus de l'orifice d'entrée, ou la poignée métallique du chariot à accessoires, pour manœuvrer l'aspirateur.

Fonction de soufflante

Votre aspirateur est muni d'un orifice de soufflante qui permet de chasser de la sciure ou d'autres débris. Veuillez réaliser les étapes suivantes pour utiliser votre aspirateur comme une soufflante.

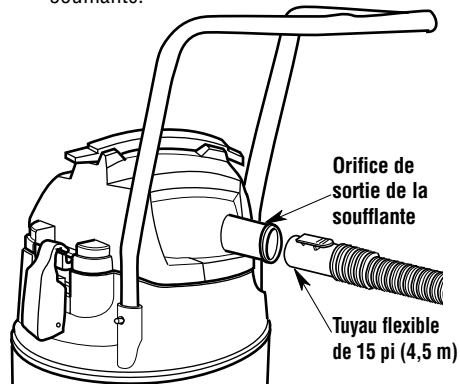
⚠ AVERTISSEMENT : il faut toujours porter des lunettes de protection conformes à la norme ANSI Z87.1 (ou, au Canada, ACNOR Z94.3) avant de se servir de l'aspirateur comme une soufflerie.

⚠ AVERTISSEMENT : pour ne pas risquer de causer des blessures à d'autres personnes, il est recommandé de leur demander de rester à distance suffisante des débris soufflés.

⚠ MISE EN GARDE : portez un masque anti-poussière si votre soufflage crée de la poussière qui pourrait être aspirée.

⚠ MISE EN GARDE : pour réduire le risque d'endommagement de l'ouïe, portez des protecteurs d'oreilles quand vous utilisez l'aspirateur/la souffleuse pendant de longues périodes ou quand vous l'utilisez dans un environnement bruyant.

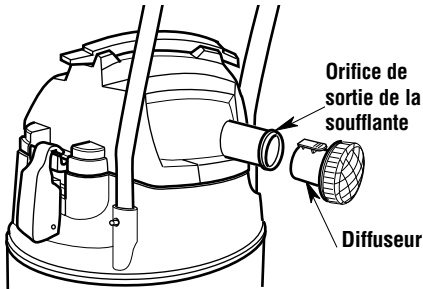
1. Localisez l'orifice de soufflante sur votre aspirateur.
2. Insérez l'extrémité verrouillable du tuyau à l'intérieur de l'orifice de soufflante de l'aspirateur. Le tuyau devrait se mettre en place d'un coup sec. Pour retirer le tuyau de l'aspirateur, appuyez sur le bouton de déclenchement sur l'ensemble de tuyau et sortez le tuyau de l'entrée d'aspiration en tirant.
3. Après avoir mis l'aspirateur sous tension, vous serez prêt à l'utiliser comme une soufflante.



Fonctionnement (suite)

Diffuseur

Cet aspirateur est muni d'un diffuseur qui peut être inséré dans l'orifice d'échappement de l'aspirateur quand il n'est pas utilisé comme soufflante. Ce diffuseur est réglable et peut être utilisé pour changer le débit et le sens de l'échappement de l'aspirateur pour l'éloigner des endroits dans lesquels vous ne voulez pas que des débris soient projetés.



Tuyau accessoire de dissipation de l'électricité statique

Un tuyau accessoire en option VT2580 peut être utilisé avec cet aspirateur pour réduire les effets de l'accumulation de l'électricité statique. Dans des conditions sèches et lorsque vous aspirez de grandes quantités de poussières fines et sèches, une charge d'électricité statique peut s'accumuler sur le tuyau ou sur l'aspirateur. Le tuyau VT2580 dissipera la charge d'électricité statique par le biais du conducteur de mise à la terre du cordon.

Entretien

Filtre

Cet aspirateur Smart-Pulse est fourni avec deux des filtres en PTFE Qwik Lock™ de RIDGID. Vous pourrez vous procurer des filtres de rechange à l'endroit où vous avez acheté votre aspirateur. Demandez le filtre Qwik Lock™ de RIDGID VF3800.

REMARQUE : Les filtres sont fabriqués avec des matériaux de qualité très élevée conçus pour intercepter mêmes les particules de poussière les plus petites. Ces filtres ne doivent être utilisés que pour ramasser des débris secs. Manipulez soigneusement les filtres lorsque vous les retirez, les nettoyez ou les installez. Des plis peuvent se former lors de l'installation, mais ils ne devraient pas affecter le fonctionnement du filtre.

Retrait et installation du filtre Qwik Lock™

Retrait du filtre :

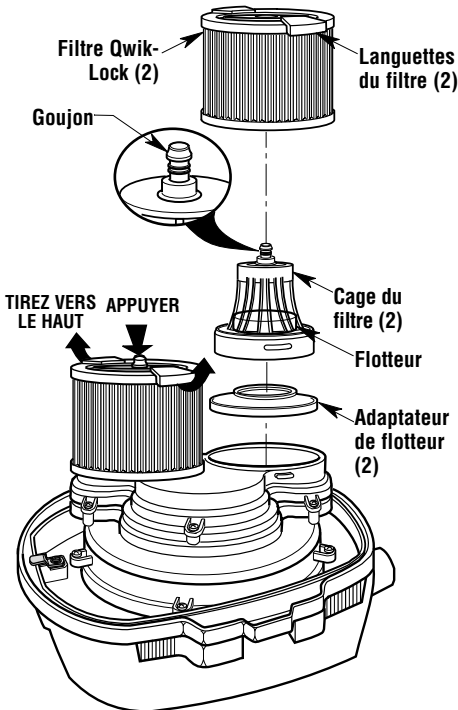
1. Saisissez les deux languettes du filtre Qwik Lock™, une dans chaque main.
2. Placez un pouce sur le goujon Qwik Lock™, qui dépasse de la plaque de filtre intégrée, tirez sur les languettes du filtre et appuyez en même temps sur le goujon.
3. Cette action aura pour effet que le filtre sera relâché de la cage du filtre. Faites glisser le filtre pour le sortir de la cage. Suivez la même procédure pour le deuxième filtre.

Entretien (suite)

Installation du filtre :

1. Faites glisser délicatement le filtre Qwik Lock™ par-dessus la cage du filtre et appuyez sur le bord extérieur du filtre jusqu'à ce que le joint d'étanchéité en caoutchouc sur le dessous du filtre soit solidement installé autour de la base de la cage du filtre et contre le couvercle.
2. Alignez le petit trou central sur le dessus du filtre au-dessus du goujon Qwik Lock™ sur la cage du filtre. Appuyez fermement sur le dessus du filtre, à proximité du goujon, pour permettre au filtre de s'emboîter sur l'embout sphérique du goujon. Le filtre est maintenant installé. Suivez la même procédure pour le deuxième filtre.

REMARQUE : si vous n'installez pas correctement le joint d'étanchéité du dessous, il est possible que des débris passent à côté du filtre.



⚠ AVERTISSEMENT : N'utilisez pas l'aspirateur sans que les filtres ne soient en place ou avec seulement un filtre en place à moins que vous ne ramassiez de liquides. Les deux filtres doivent être retirés si vous souhaitez ramasser des liquides. N'utilisez pas l'aspirateur sans cages de filtre, adaptateurs de flotteurs ou flotteurs, car ces éléments empêchent les liquides d'entrer en contact avec la turbine et d'endommager ainsi le moteur.

IMPORTANT : Pour ne pas risquer d'endommager la roue de la soufflante et le moteur, réinstallez toujours les deux filtres avant de vous servir de l'aspirateur pour ramasser des matériaux secs.

REMARQUE : Pour obtenir les meilleurs résultats de nettoyage possibles en cas d'accumulation de poussière, nettoyez les filtres dans un endroit bien ventilé. Le nettoyage DOIT être effectué à l'extérieur, et non à un endroit où des gens habitent.

Retirez les filtres de l'aspirateur. Tapotez doucement les filtres contre la paroi intérieure de votre tambour à poussière, et les débris se détacheront et tomberont en conséquence.

IMPORTANT : Après le nettoyage, inspectez les filtres pour vous assurer qu'ils ne sont pas déchirés et qu'ils ne sont pas troués. Il suffit d'un petit trou pour causer la sortie de beaucoup de poussière de votre aspirateur. Si les filtres sont endommagés, remplacez-les immédiatement.

Nettoyage et désinfection de l'aspirateur de liquides et de poussières

Pour conserver l'esthétique optimale de votre aspirateur de poussières et de liquides, nettoyez la surface extérieure de l'aspirateur à l'aide d'un chiffon imbibé d'eau tiède savonneuse.

Procédure de nettoyage du tambour :

1. Vider les débris.
2. Nettoyez soigneusement le tambour à poussière à l'aide d'un savon doux et d'eau tiède.
3. Essuyer avec un chiffon sec.

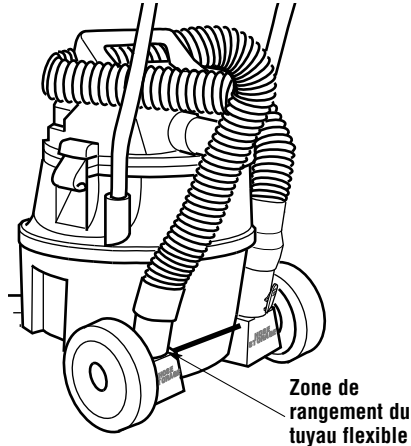
Avant de ranger l'aspirateur pour une période prolongée, ou dans les cas nécessaires (par exemple après l'aspiration d'eaux usées), vous devez désinfecter le tambour.



Entretien (suite)

Pour désinfecter le tambour :

1. Versez un gallon (presque 4 litres) d'eau et une cuillerée à thé de produit à blanchir à l'eau de javel dans le tambour.
2. Laissez la solution agir pendant 20 minutes, en remuant doucement de temps à autre pour vous assurer que toutes les surfaces du tambour restent humides.
3. Videz le tambour au bout de 20 minutes. Rincez à l'eau jusqu'à ce que l'odeur d'eau de javel ait disparu. Laissez sécher le tambour complètement avant de sceller le moteur sur le tambour

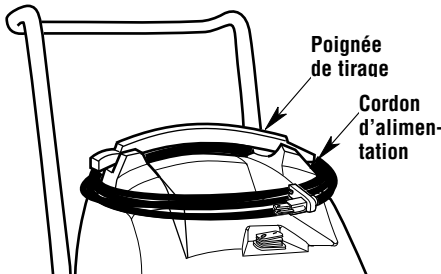


Maintenance du cordon d'alimentation

Après avoir fini d'utiliser l'aspirateur, débranchez le cordon d'alimentation et enroulez-le autour du cache du moteur. Si le cordon d'alimentation est endommagé, il faut le faire remplacer par le fabricant, par un service de réparation agréé par le fabricant, ou par un technicien disposant des qualifications nécessaires afin de réduire le risque d'accident.

Roulettes et roues

Si le chariot commence à grincer ou s'il devient difficile de le faire rouler, appliquer deux ou trois gouttes d'huile universelle sur chaque roue au niveau de l'essieu. Si les roulettes font du bruit, appliquer une goutte d'huile sur l'arbre pour les rendre silencieuses.



Cadre et poignées

La poignée en métal est peinte pour la protéger contre la rouille. Toutefois, il faut en retirer les liquides et les débris corrosifs en contact avec la poignée avec un chiffon non abrasif.

Rangement

Avant de ranger votre aspirateur, vous devez vider et nettoyer le tambour à poussières. Vous devez également enrouler le cordon d'alimentation autour de l'appareil. Lorsqu'il n'est pas utilisé, le tuyau flexible peut être enroulé autour de l'aspirateur en bouchant son extrémité ouverte dans l'un des emplacements prévus pour le rangement sur l'ensemble de chariot. Vous devez ranger l'aspirateur à l'intérieur d'un bâtiment.

▲ AVERTISSEMENT : pour assurer la **SÉCURITÉ** et la **FIABILITÉ** du produit, les réparations et réglages doivent être effectués par des centres agréés de service après-vente en utilisant toujours des pièces de rechange RIDGID.



Pièces de rechange

Aspirateur Smart-Pulse de 14 gallons

Stock N° RV3410 (Modèle RV34100)

Les pièces RIDGID sont disponibles sur notre site Web à l'adresse suivante : www.ridgidparts.com

Pour commander, utiliser toujours le numéro de pièce – pas le numéro de légende

▲ AVERTISSEMENT : Pour réduire le risque de blessure pouvant résulter d'un choc électrique, débranchez le cordon d'alimentation avant d'effectuer une quelconque opération de maintenance sur les composants électriques de l'aspirateur.

N° Légende	Pièce N° RV3410	Description
1*	510322	Ensemble de bloc-moteur (comprend les légendes numéros 2 – 18)
2	831657-3	Ensemble de cordon
3	510321	Ensemble de cache du moteur
4	835195-2	Poignée de transport
5	833518	Joint d'étanchéité pour le couvercle supérieur
6	827415	Joints d'étanchéité (2 requis)
7	831567	Moteur
8	510320	Faisceau de câbles (alimentation électrique / mise à la terre)
9	510325	Actionneur avec support (2 requis)
10	835193-2	Couvercle supérieur
11	510318	Module de commande
12	822374-8	Kit de balais du moteur (1 jeu)
13	835191	Couvercle inférieur
14	510324	Ensemble de valve (tige, ressort, vis, valve avec joint d'étanchéité – Comprend deux de chaque)
15	510319	Tubes (jeu de 3)
16	510336	Ensemble de ressorts de mise à la terre
17	835194	Collecteur
18	510332	Ensemble de cage de filtre (1 cage de filtre, 1 flotteur, 1 adaptateur de flotteur)
19	VF3800	Filtres (2 requis)

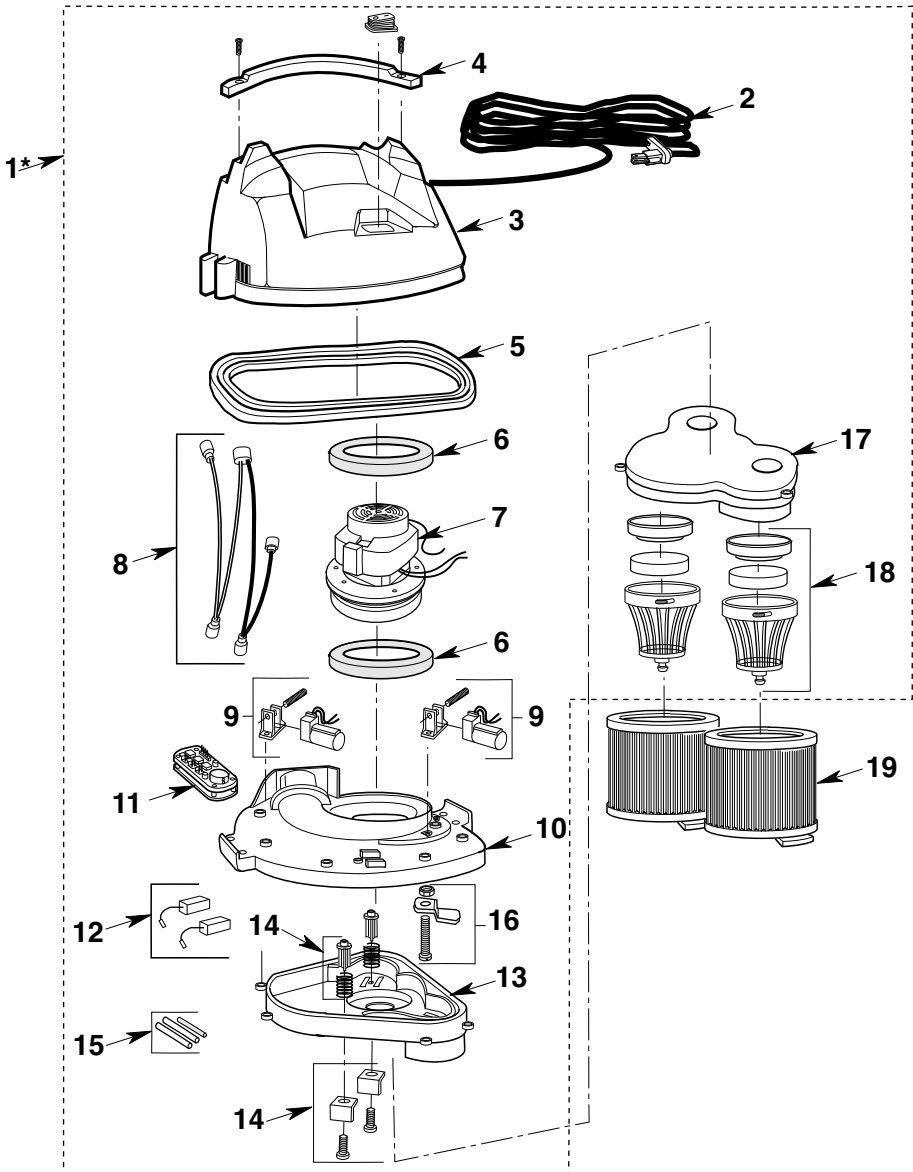
* Toutes les pièces sont incluses dans l'ensemble de bloc-moteur (N° 1) (à l'exception des deux filtres).

Pièces de rechange (suite)

Aspirateur Smart-Pulse de 14 gallons

Stock N° RV3410 (Modèle RV34100)

Les pièces RIDGID sont disponibles sur notre site Web à l'adresse suivante : www.ridgidparts.com



Pièces de rechange (suite)

Aspirateur Smart-Pulse de 14 gallons

Stock N° RV3410 (Modèle RV34100)

Les pièces RIDGID sont disponibles sur notre site Web à l'adresse suivante : www.ridgidparts.com
Pour commander, utiliser toujours le numéro de pièce – pas le numéro de légende

▲ AVERTISSEMENT : Pour réduire le risque de blessure pouvant résulter d'un choc électrique, débranchez le cordon d'alimentation avant d'effectuer une quelconque opération de maintenance sur les composants électriques de l'aspirateur.

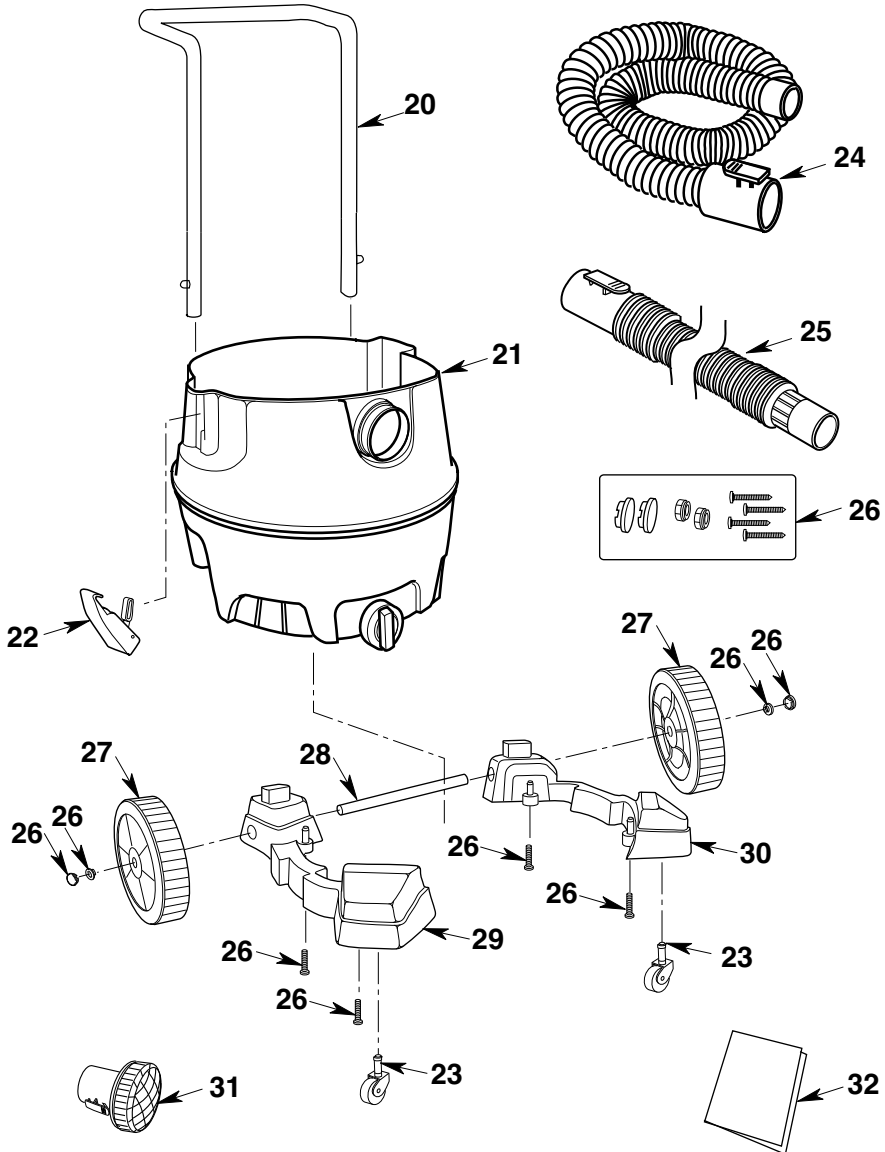
N° Légende	Pièce N° RV3410	Description
20	830686	Ensemble de poignées du tambour
21	510323	Ensemble de tambour
22	510333	Ensemble de loquets du tambour (jeu complet)
23	832123	Roulettes (2 requises)
24	831337-11	Ensemble de tuyau flexible de 15 pi (4,5 m)
25	VT2580	Tuyau flexible de 15 pi (4,5 m) pour la dissipation de l'électricité statique (en option)
26	509944	Sacs de pièces détachées (enjolveurs de roues, écrous d'enjolveurs de 1/2 po, vis N° 10 x 1-3/4 po)
27	832190	Roues de 8 po (2 requises)
28	831024	Arbre (1)
29	830577	Chariot de gauche
30	830576	Chariot de droite
31	830675-2	Diffuseur
32	SP6906	Mode d'emploi

Pièces de rechange (suite)

Aspirateur Smart-Pulse
de 14 gallons

Stock N° RV3410 (Modèle RV34100)

Les pièces RIDGID sont disponibles sur notre site Web à l'adresse suivante : www.ridgidparts.com



RIDGID®



Ce qui est couvert par la garantie

Les outils RIDGID® sont garantis sans défauts de matériau ou de façon.

Durée de la garantie

Cette garantie est valable pendant toute la durée de vie de l'outil RIDGID®.

Le service après-vente

Pour tirer parti de cette garantie, le produit complet doit être renvoyé en port payé à RIDGE TOOL COMPANY, Elyria, Ohio ou bien à un quelconque CENTRE DE SERVICE APRÈS-VENTE RIDGID® AGRÉÉ. Les clés à tube et autres outils à main devront être renvoyés au point de vente où ils ont été achetés.

Les mesures de rectification des problèmes

Les produits garantis seront réparés ou remplacés gratuitement selon le choix de RIDGE TOOL et ils seront renvoyés au client en port payé ; ou, si le produit est toujours défectueux à la suite de trois tentatives de réparation ou de remplacement au cours de la période de garantie, vous êtes en droit de recevoir un remboursement complet du prix d'achat de votre outil.

Ce qui n'est pas couvert par la garantie

Les défaillances causées par une utilisation abusive ou non conforme aux instructions, ou par l'usure ordinaire, ne sont pas couvertes par cette garantie. **RIDGE TOOL N'EST RESPONSABLE D'AUCUN DOMMAGE SECONDAIRE OU INDIRECT.**

Effet des lois locales sur cette garantie

Au Canada, certaines provinces ne permettent peut-être pas l'exclusion ou la limitation des dommages secondaires ou indirects; par conséquent, il est possible que l'exclusion ou la limitation susmentionnée ne s'applique pas à vous. Cette garantie vous confère des droits contractuels spécifiques, et vous disposez peut-être d'autres droits qui peuvent varier d'une province à l'autre.

Aucune autre garantie expresse ne s'applique

La présente GARANTIE À VIE COMPLÈTE est la garantie unique et exclusive concernant les produits RIDGID®. Aucun salarié, agent, distributeur ou autre n'est autorisé à modifier cette garantie ou à offrir une quelconque autre garantie de la part de RIDGE TOOL COMPANY.

Stock N° RV3410

Numéro de modèle RV34100

Le numéro de modèle et le numéro de série sont indiqués près de l'orifice de soufflerie. Il est recommandé d'inscrire ces deux numéros en lieu sûr pour référence future.

EN CAS DE QUESTIONS OU POUR OBTENIR DES INFORMATIONS, VEUILLEZ NOUS CONTACTER AU :

www.ridgidvac.com

1-800-4-RIDGID (1-800-474-3443) depuis les États-Unis et le Canada

01-800-701-9811 depuis le Mexique

Prière d'avoir votre numéro de modèle ainsi que votre numéro de série à portée de la main avant de nous appeler.



EMERSON™

© 2014 Emerson

Commercial & Residential Solutions