

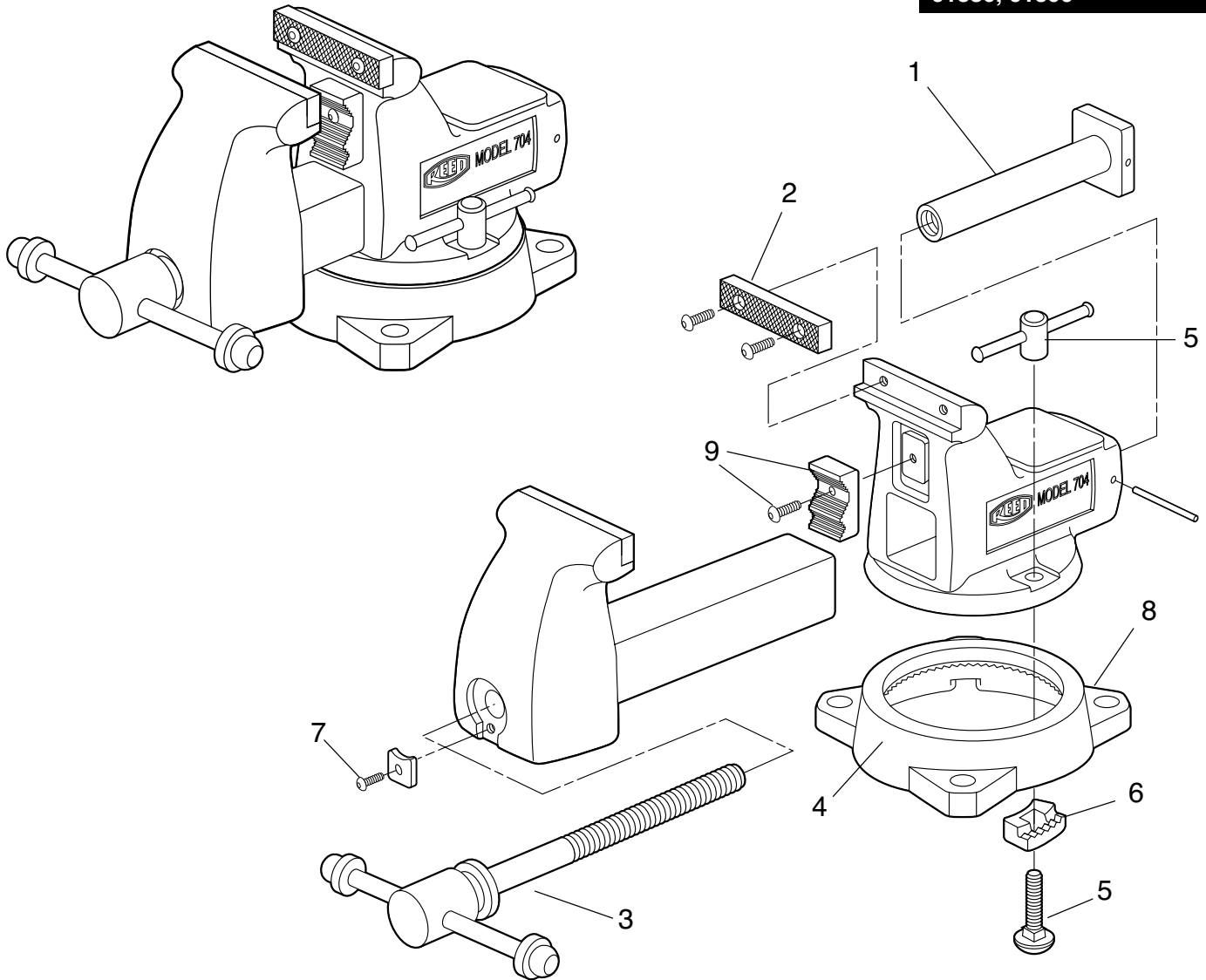


PIPE TOOLS & VISES
SINCE 1896

Mid-Line Vises

Replacement Parts

Applies to: 01385, 01387,
01389, 01390



Parts List

Check with REED for availability on parts and prices. These are not commonly ordered and lead times will vary.

Ref. No.	Description	Model 704 Item Code	Model 705 Item Code	Model 706 Item Code	Model 708 Item Code	Qty. Used
1	Nut	91940	91950	91960	91974	1
2	Jaw Inserts	91941	91951	91961	91972	2
3	Spindle Assembly	91942	91952	91962	91970	1
4	Outer Ring	91943	91953	91963	91977	1
5	Locknut Assembly	91945	91955	91965	91975	1
6	Locking Pad	91946	91956	91966	91976	1
7	Spindle Stop	91947	91957	91967	91971	1
8	Swivel Base	91948	91958	91968	91978	1
9	Pipe Jaw Assembly	91949	91959	91969	91973	2

Reed Manufacturing
1425 West 8th Street
Erie, PA 16502 USA

QUALITY
& Service
that Last a Lifetime

Phone: 800-666-3691 or +1-814-452-3691
reedsales@reedmfgco.com
www.reedmfgco.com

RP-0721-42