

RIDGID

DIAGNOSTICS & DRAIN CLEANING

PRODUCT CATALOG



BUILT FOR THOSE WHO KNOW™

When you work in the skilled trades, you leave your mark on every job you touch. Your reputation is built over time. Day by day, job by job.

When it's your name on the line, make sure our name is on your tool. For nearly 100 years, we've built our legacy the same way you have — one job at a time. We make tools that stand up to the toughest challenges and last long enough for you to pass them down to the next generation. We deliver a better way to work.

It's more than our promise. We guarantee it.



TABLE OF CONTENTS



8

HAND TOOLS



14

SINK MACHINES



18

DRUM MACHINES



24

SECTIONAL MACHINES



38

FLEXSHAFT™ MACHINES



44

WATER JETTERS



50

CAMERA REELS



64

DIGITAL REPORTING MONITORS



70

HAND-HELD INSPECTING



74

UTILITY LOCATING



84

TEST AND MEASUREMENT

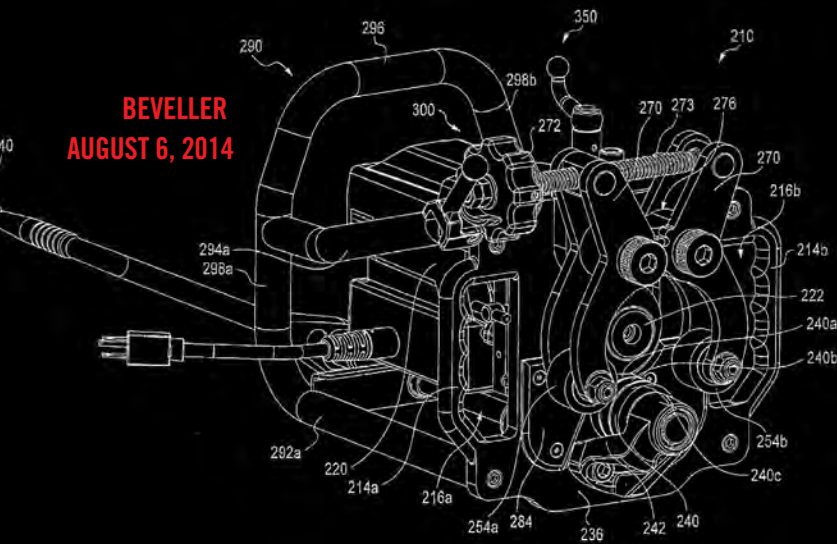
RIDGID® GIVES YOU THE COMPETITIVE EDGE.

THE MOST INNOVATIVE SYSTEM IN THE INDUSTRY.

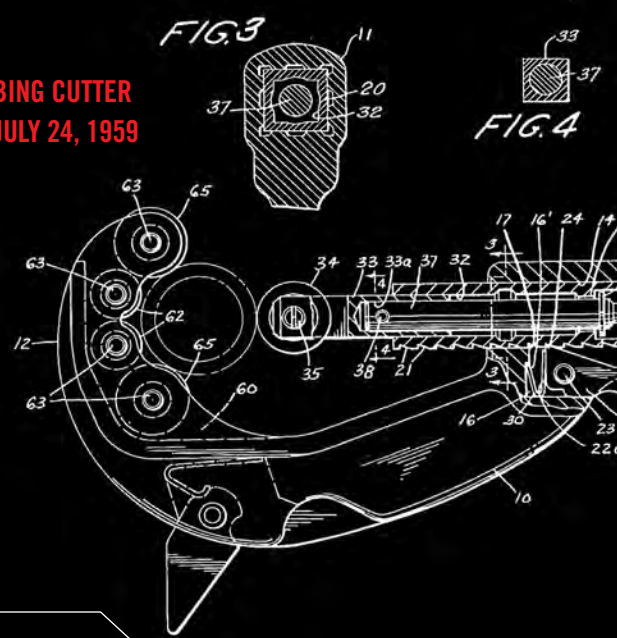
When problems are lurking in-pipe, behind walls or anywhere underground, more professionals choose RIDGID drain cleaning, diagnostics, locating and thermal imaging tools than any other brand. That's because RIDGID sets the industry standard for ease of use, durability and advanced functionality. Every tool is purpose-built based on feedback from professionals in the field and backed by one of the best warranties in the industry. Build your business with the most complete system of professional inspection, diagnostic, thermal imaging and drain cleaning tools available. SEE IT. FIND IT. SOLVE IT.



BEVELLER
AUGUST 6, 2014



TUBING CUTTER
JULY 24, 1959

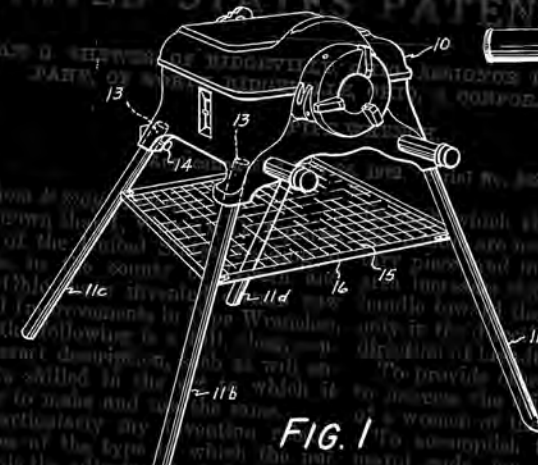
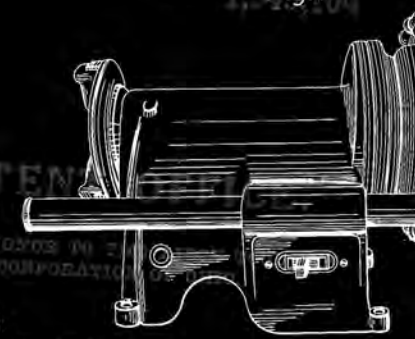
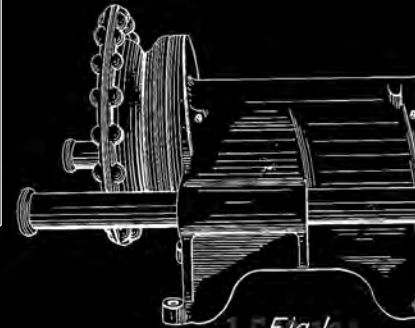
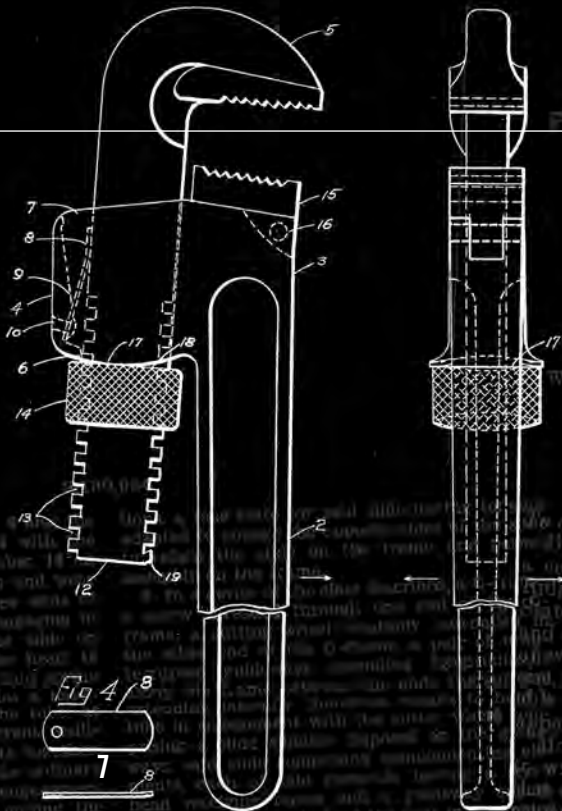


THE BEST NEVER REST.

With more than 100 patents already secured and more on the way, RIDGID® continues to deliver a better way to work. Every diagnostic and drain cleaning product is purpose-built based on feedback from the field. This history of field-driven innovation – coupled with the industry's best lifetime warranty - makes RIDGID the most trusted brand for trade professionals all around the world.

RIDGID
FULL LIFETIME WARRANTY
Against Material Defects & Workmanship

PIPE WRENCH MAY 26, 1922



POWER DRIVE
SEPTEMBER 30, 1958

HAND TOOLS



EASILY CLEAR OBSTRUCTIONS IN TOILETS AND DRAIN LINES

RIDGID® hand tools use durable, kink-resistant cables to clear toilet and urinal blockages as well as sink and shower obstructions in lines ranging from ¾" to 1½" (19 to 38 mm). Ergonomically designed, these tools are fast, effective and easy to use.

KEY FEATURES

- | DURABLE, KINK-RESISTANT CABLES**
- | ERGONOMIC DESIGN**
- | NEGOTIATE WATER-CONSERVING TOILETS**

RIDGID

K-1 COMBINATION AUGER

THE URINAL AND SHOWER DRAIN SOLUTION

The K-1 combination auger is the all-in-one solution for pipe sizes up to 2". Its dual power operation adds force while its telescoping design helps you reach obstructions further down the line. The "C" cutter head breaks up hard blockages and a left-hand wound cable helps prevent kinking.

- ▶ **PIPE SIZE**
Up to 2" (50 mm)
- ▶ **CABLE LENGTH AND DIAMETER**
 $\frac{3}{8}$ " \times 4' (10 mm \times 1.2 m)
- ▶ **OPERATION**
Manual or Drill Powered



Drill not included

CATALOG NO.	MODEL NO.	DESCRIPTION
46683	K-1	Combination Auger

K-3 TOILET AUGER

FAST AND SAFE CLEARING FOR MOST TOILETS

The K-3 toilet auger features large, ergonomically designed handles for greater control. The K-3 can navigate water-conserving toilets while the vinyl guard protects the porcelain.

- ▶ **CABLE LENGTH**
Available in 3' (1 m) with bulb head
- ▶ **CABLE SIZE**
 $\frac{1}{2}$ " (13 mm) compression-wrapped Inner Core Cable
- ▶ **KEY FEATURES**
Vinyl guard protects porcelain
Large, ergonomically designed handles
Perfect for water-conserving toilets

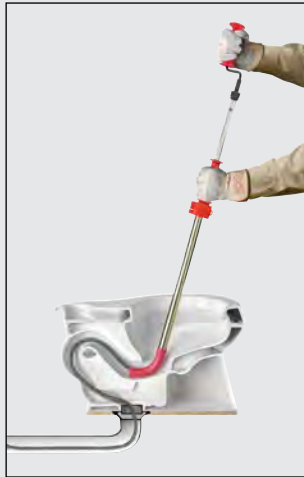


CATALOG NO.	MODEL NO.	DESCRIPTION
59787	K-3	3' (1 m) Toilet Auger with Bulb Head

DRAIN CLEANING HAND TOOLS



Drill not included



K-6P TOILET AUGER

DUAL POWERED OPERATION FOR TOUGH TOILET CLOGS

The new K-6P toilet auger uses heavy-duty Tri-Wrap cable to power through the toughest blockages. The optional drill attachment lets you increase the torque to 500 RPM while the quick lock adjustment extends the cable 6' (1.8 m) beyond the toilet. Zinc-plated steel tubing helps resist corrosion and preserve your tool.

- ▶ **OPTIONAL DRILL ATTACHMENT**
Powers through serious blockages with 500 RPM maximum
- ▶ **QUICK LOCK ADJUSTMENT**
Extends the cable 6' (1.8 m) to clear beyond the toilet
- ▶ **CORROSION RESISTANT**
Zinc-plated steel tubing
- ▶ **MAXIMUM STRENGTH**
Heavy-duty Tri-Wrap cable

CATALOG NO.	MODEL NO.	DESCRIPTION
56658	K-6P	6' (1.8 m) Toilet Auger with Bulb Head
59802	K-6 DH	6' (1.8 m) Toilet Auger with Drop Head



Drill not included

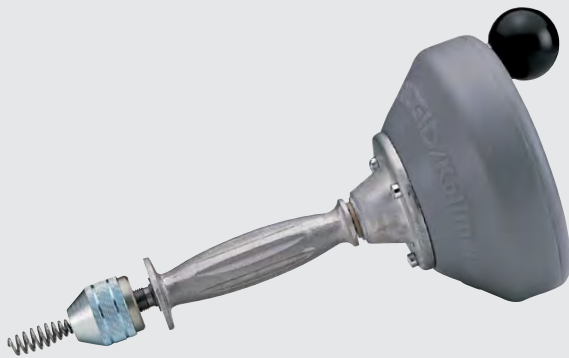
K-6P XL TOILET AUGER

INTERCHANGEABLE HEADS FOR GREATER VERSATILITY

The new K-6P XL toilet auger features bulb head and C-Cutter attachments to break through tough blockages. With optional drill operation, 1/2" x 6' (13 mm x 1.8 m) Inner Core Tri-Wrap Cable can reach a maximum speed of 500 RPM. Quick lock adjustment allows the cable to extend beyond the toilet and a convenient storage bag makes for clean and easy transport.

- ▶ **INTERCHANGEABLE HEADS**
Bulb head and C-Cutter attachments included
Drop Head attachment available
- ▶ **OPTIONAL DRILL ATTACHMENT**
Powers through serious blockages with 500 RPM maximum
- ▶ **QUICK LOCK ADJUSTMENT**
Extends the cable 6' (1.8 m) to clear beyond the toilet
- ▶ **CORROSION RESISTANT**
Zinc-plated steel tubing
- ▶ **MAXIMUM STRENGTH**
Heavy-duty Tri-Wrap cable

CATALOG NO.	MODEL NO.	DESCRIPTION
56663	K-6P XL	6' (1.8 m) Toilet Auger with Interchangeable Heads
61773	K-6P XL	Drop Head Attachment



K-25 HAND SPINNER

CLEARs 3/4" TO 1 1/2" (19 TO 38 MM) DRAIN LINES

The RIDGID® K-25 has been a favorite with professionals for decades. Its precision-machined, 3-jaw chuck keeps the cable secure while a simple flick of the wrist releases the cable. With a sturdy cast aluminum ribbed hand grip and a rotary molded plastic drum that won't dent or rust, this spinner works through traps and bends in: sinks, tubs, drinking fountains, lavatories, urinals and vent pipes.

- ▶ **MULTIPLE HEADS**
Bulb head and drop head models available
- ▶ **KINK-RESISTANT CABLES**
25' of vinyl-wrapped inner core 5/16" cable (8 mm × 7.6 m)
- ▶ **DRUM CAPACITY**
5/16" × 25' (8 mm × 7.6 m)
- ▶ **PROFESSIONAL GRADE**
Precision machined, 3-jaw chuck with flick-of-the-wrist release
Cast aluminum ribbed hand grip reduces slippage
Rotary molded plastic drum won't dent or rust

CATALOG NO.	MODEL NO.	DESCRIPTION
58890	K-25-BP	Hand Spinner w/C-11C Bulb Auger Cable
58895	K-25-DH	Hand Spinner w/C-21C Drop Head Cable



K-26 HAND SPINNER

CLEARs 3/4" TO 1 1/2" (19 TO 38 MM) DRAIN LINES

The RIDGID K-26 hand spinner delivers outstanding performance and value. A slip-resistant collet chuck firmly grips the cable with a flick of the wrist. The rotary molded plastic drum cleans easily while resisting rust and dents.

- ▶ **CABLE SIZE**
5/16" × 25' (8 mm × 7.6 m) hollow core cable with bulb head auger
- ▶ **KEY FEATURES**
Slip-resistant collet chuck grips with a flick of the wrist
Rotary molded plastic drum cleans easily
- ▶ **OPEN DRUM DESIGN**
Provides access to cable to allow for application of RIDGID Cable Rust Inhibitor

CATALOG NO.	MODEL NO.	DESCRIPTION
59812	K-26	Hand Spinner w/C1 Bulb Head Cable

DRAIN CLEANING HAND TOOLS



KWIK-SPIN™+ HAND SPINNER WITH AUTOFEED®

CLEAR ½" TO 1½" (13 TO 38 MM) DRAIN LINES

With AUTOFEED Trigger Technology, just pull the trigger and let the cable self-feed down the drain. The ¼" × 25' (6 mm × 7.6 m) MAXCORE cable is positively retained in the drum to prevent cable pullout. The lightweight polyethylene drum stands up to dents or rust.

▶ **AUTOFEED TRIGGER TECHNOLOGY**

Pull the trigger and turn the drum for a clean drain without the hassle

▶ **CABLE SIZE**

¼" × 25' MAXCORE cable (6 mm × 7.6 m)

▶ **CONTAINED CLEAN**

Cable is positively retained in the drum to prevent cable pullout

Lightweight polyethylene drum will not dent or rust

CATALOG NO.	MODEL NO.	DESCRIPTION
57038	Kwik-Spin+	Hand Spinner w/AUTOFEED





POWER SPIN+[™] WITH AUTOFEED[®]

CLEARs ¾" TO 1½" (13 TO 38 MM) DRAIN LINES

AUTOFEED Trigger Technology self-feeds ¼" × 25' (6 mm × 7.6 m) kink-resistant MAXCORE cable down the drain. For tough clogs, switch to drill powered operation for up to 500 RPM of clearing power. Power Spin+ with AUTOFEED is great for use in tubs, sinks and showers.

▶ **AUTOFEED TRIGGER TECHNOLOGY**

Pull the trigger and turn the drum for a clean drain without the hassle

▶ **ADDITIONAL POWER**

Switch to drill-powered operation for up to 500 RPM cable speed

▶ **CABLE SIZE**

¼" × 25' (6 mm × 7.6 m) kink-resistant MAXCORE cable

▶ **CLEAN DRAIN. CLEAN HANDS.**

Cable is positively retained in the drum to prevent cable pullout
Lightweight polyethylene drum will not dent or rust



Drill not included

CATALOG NO.	MODEL NO.	DESCRIPTION
57043	Power Spin+	Power Spinner Drain Cleaner



SINK MACHINES

BIG POWER FOR SMALL LINE BLOCKAGES

RIDGID® sink machines are the professional's choice for clearing small line blockages in lavatories, sinks, tubs and showers. With a variety of cable sizes and cutter options, RIDGID sink machines can clear lines ranging from ¾" to 2½" (19 to 64 mm). Lightweight and easily transported, these professional-grade drain cleaners excel in hard-to-reach spaces.

KEY FEATURES

- | SMALL LINE CLEARING**
- | PATENTED AUTOFEED® TECHNOLOGY**
- | PERFECT FOR TIGHT SPACES**

RIDGID

POWERCLEAR™ MACHINE

CLEAR 3/4" TO 1 1/2" (19 TO 38 MM) DRAIN LINES

Powerful, compact and simple to use. The RIDGID® PowerClear machine breaks through tub, shower or sink blockages with ease. AUTOFEED® Technology lets you advance and retrieve the cable without getting your hands dirty. And, the heavy-duty inner core cable is purpose-built for a long life free from kinks.

- ▶ **AUTOFEED TECHNOLOGY**
Advance and retrieve without handling the cable
- ▶ **CLEAR COVER**
Lets you see how much cable remains
- ▶ **HEAVY-DUTY INNER CORE CABLE**
Long-lasting and kink resistant
- ▶ **TWO-PIECE GUIDE HOSE**
One piece for close applications; an extension when access is limited

CATALOG NO.	MODEL NO.	DESCRIPTION
55808	PowerClear	Drain Cleaning Machine
55983	PowerClear	1/4" x 30' (6 mm x 9 m) Replacement Cable



DRAIN CLEANING SINK MACHINES



K-40 SINK MACHINE

CLEARs 3/4" TO 2 1/2" (19 TO 64 MM) DRAIN LINES

More torque – less mess. That’s the RIDGID® K-40 sink machine. A 175 W induction motor quietly delivers enough force to blast through the toughest blockages, and the two-piece “twist lock” drum housing with its special inner drum design virtually eliminates cable flip-over inside the drum.

▶ **PORTABLE POWER**

Machine sits flat on the floor or countertop or tips onto its back for greater access in tight spaces

▶ **AUTOFEED® TECHNOLOGY**

Advance and retrieve without handling the cable

▶ **TWIST LOCK DRUM**

Special inner drum virtually eliminates cable flip

▶ **QUIET POWER**

175 W induction motor quietly delivers the torque needed for the toughest blockages

▶ **COMPRESSION-WOUND CABLE**

Added strength with the flexibility to prevent kinking

CATALOG NO.	MODEL NO.	DESCRIPTION
71702	K-40	Machine with: C-131C, 5/16" × 35' (8 mm × 11 m) Cable with Inner Drum
71722	K-40AF	Machine with: AUTOFEED, Guide Hose, Mounting Bracket, C-131C SB, 5/16" × 35' (8 mm × 11 m) Speed Bump Cable with Inner Drum

K-45 SINK MACHINE

CLEAR 3/4" TO 2 1/2" (19 TO 64 MM) DRAIN LINES

The RIDGID® K-45 sink machine effectively opens clogged lavatory, sink lines, urinals, tubs and shower drains. Available in two styles – Manual and AUTOFEED® – the K-45 is lightweight, easy to use and packs a punch. Its variable speed power unit rotates cable 0 to 600 RPM.



▶ **AUTOFEED TECHNOLOGY**

Advance and retrieve without handling the cable

▶ **VARIABLE SPEED POWER**

280 W motor spins cable at 600 RPM

▶ **TWO-PIECE TWIST LOCK DRUM**

Special inner drum virtually eliminates cable flip and makes cable changeout simple

▶ **MULTIPLE CABLE OPTIONS**

1/4" (6 mm) cables for 3/4" to 1 1/2" (19 to 38 mm) lines

5/16" (8 mm) cables for 3/4" to 1 1/2" (19 to 38 mm) lines

3/8" (10 mm) cables for 1 1/4" to 2 1/2" (32 to 64 mm) lines



CATALOG NO.	MODEL NO.	DESCRIPTION
36018	K-45	Machine with: C-11C, 5/16" × 25' (8 mm × 7.6 m) Inner Core Cable w/Inner Drum
36013	K-45-1	Machine with: C-11C, 5/16" × 25' (8 mm × 7.6 m) Inner Core Cable w/Inner Drum and C-6429 Carrying Case
36023	K-45-5	Machine with: C-11C, 5/16" × 25' (8 mm × 7.6 m) Inner Core Cable w/Inner Drum, C-6, 3/8" × 35' (10 mm × 11 m) Cable w/Inner Drum, T-250, Five-Piece Tool Set for 3/8" (10 mm) Cable and C-6429 Carrying Case
36028	K-45-7	Machine with: C-11C, 5/16" × 25' (8 mm × 7.6 m) Inner Core Cable w/Inner Drum, C-6, 3/8" × 35' (10 mm × 11 m) Cable w/Inner Drum, C-21, 5/16" × 50' (8 mm × 15 m) Cable w/Inner Drum, T-250, Five-Piece Tool Set for 3/8" (10 mm) Cable and C-6429 Carrying Case
35473	K-45AF	Machine with: AUTOFEED, C-11C, 5/16" × 25' (8 mm × 7.6 m) Inner Core Cable w/Inner Drum
35998	K-45AF-1	Machine with: AUTOFEED, C-11C, 5/16" × 25' (8 mm × 7.6 m) Inner Core Cable w/Inner Drum and C-6429 Carrying Case
36003	K-45AF-5	Machine with: AUTOFEED, C-11C, 5/16" × 25' (8 mm × 7.6 m) Inner Core Cable w/Inner Drum, C-6, 3/8" × 35' (10 mm × 11 m) Cable w/Inner Drum, T-250, Five-Piece Tool Set for 3/8" (10 mm) Cable and C-6429 Carrying Case
36008	K-45AF-7	Machine with: AUTOFEED, C-11C, 5/16" × 25' (8 mm × 7.6 m) Inner Core Cable w/Inner Drum, C-6, 3/8" × 35' (10 mm × 11 m) Cable w/Inner Drum, C-21, 5/16" × 50' (10 mm × 15 m) Cable w/Inner Drum, T-250, Five-Piece Tool Set for 3/8" (10 mm) Cable and C-6429 Carrying Case



DRUM MACHINES

TOUGH ON BLOCKAGES. EASY ON YOU.

RIDGID® drum machines combine high torque, long-running motors with durable cables and cutters to clear blockages in lines ranging from ¾" up to 10" (19 mm to 254 mm). Containing the cable within the drum maximizes cable life while keeping jobsites cleaner.

KEY FEATURES

- | HIGH TORQUE**
- | SUPERIOR MOBILITY**
- | PATENTED CABLE CONTROL SYSTEM**

RIDGID

DRAIN CLEANING DRUM MACHINES



APPLICATION CHART	SINK LINES		LATERALS & MAIN LINES			
	FLOOR/SECONDARY DRAINS					
LINE SIZE:	1½" - 4" (38 mm - 102 mm)	¾" - 4" (19 mm - 102 mm)	3" - 6" (76 mm - 152 mm)	3" - 8" (76 mm - 203 mm)	3" - 6" (76 mm - 152 mm)	3" - 10" (76 mm - 254 mm)
SPEED:	170 RPM	240 RPM	285 RPM	200 RPM	200 RPM	200 RPM
HORSEPOWER:	¼ HP	½ HP	¾ HP	½ HP	½ HP	¾ HP
WEIGHT:	60 lb (27 kg)	65 lb (30 kg)	180 lb (82 kg)	206 lb (94 kg)	194 lb (88 kg)	244 lb (111 kg)

CABLES FOR DRUM MACHINES

PRODUCTS:	K-400		K-3800		K-6200		K-750, K-750R & K-7500	
	CABLE DIAMETER:	¾" and ½" Cable (10 and 13 mm Cable)		¾" and ½" Cable (10 and 13 mm Cable)		⅝" Cable (16 mm Cable)		¾" Cable (19 mm Cable)
AVAILABLE LENGTHS:	50' - 75' - 100' (15 m - 23 m - 30 m)		50' - 75' - 90' - 100' (15 m - 23 m - 28 m - 30 m)		25' - 50' - 75' - 100' (7.6 m - 15 m - 23 m - 30 m)		25' - 50' - 75' - 100' (7.6 m - 15 m - 23 m - 30 m)	
CABLE TYPE:	Integral Wound (IW)		Inner Core (IC), Integral Wound (IW), Hollow Core (HC)		Heavy-Duty Inner Core (HD), Inner Core (IC), Hollow Core (HC)		Heavy-Duty Inner Core (HD), Inner Core (IC), Hollow Core (HC)	

Inner Core Cables Compression-wound for strength, it also resists kinking and negotiates tough bends and traps. Good flexibility while delivering more cleaning power to cable end.

Integral Wound Core Cables Cable is wound tight on wire inner core, creating a solid assembly. Has greater kink resistance.

Hollow Core Cables Provide maximum flexibility for severe bends and traps.

Heavy-Duty Cables Cable is wound tight on wire inner core for excellent stiffness under load.

DRAIN CLEANING DRUM MACHINES



K-400 DRUM MACHINE

CLEARs 1½" TO 4" (38 TO 102 MM) DRAIN LINES

The sleek design and user-friendly features make the K-400 an ideal drum machine for drain cleaners, service plumbers, facility and institutional maintenance departments and property management companies.

- ▶ **INTEGRATED TRANSPORT CART**
Heavy-duty wheels traverse uneven ground or stairs
- ▶ **INTEGRATED TELESCOPING HANDLE**
High-handle height during transport locks into a lower position during operation
- ▶ **PATENTED CABLE CONTROL SYSTEM**
Drum stops spinning when the blade lodges in a blockage to mitigate cable flip in the drum
- ▶ **"SOLID CORE" CABLE**
Rugged and kink-resistant ¾" or ½" (10 or 13 mm) Integral Wound (IW) solid core cable
- ▶ **AUTOFEED®**
Patented, automatic cable feed powers cable in and out of the drain (available as an accessory)
- ▶ **CABLE OPTIONS**
¾" × 100' (10 mm × 30 m) cable for 1½" to 3" (38 to 76 mm) lines
½" × 75' (13 mm × 23 m) cable for 3" to 4" (76 to 102 mm) lines



CATALOG NO.	MODEL NO.	DESCRIPTION
52363	K-400 w/C-32 IW	Machine w/Gloves & Std. Equipment: C-32 IW ¾" × 75' (10 mm × 23 m) Solid Core (Integral Wound) Cable and T-260 Tool Set
26993	K-400 w/C-31 IW	Machine with Gloves & Std. Equipment: C-31 IW ¾" × 50' (10 mm × 15 m) Solid Core (Integral Wound) Cable and T-260 Tool Set
26998	K-400 w/C-45 IW	Machine with Gloves & Std. Equipment: C-45 IW ½" × 75' (13 mm × 23 m) Solid Core (Integral Wound) Cable and T-260 Tool Set
27003	K-400 w/C-44 IW	Machine with Gloves & Std. Equipment: C-44 IW ½" × 50' (13 mm × 15 m) Solid Core (Integral Wound) Cable and T-260 Tool Kit
27008	K-400 AF w/C-32 IW	Machine with Gloves & Std. Equipment: AUTOFEED, C-32 IW ¾" × 75' (10 mm × 23 m) Solid Core (Integral Wound) Cable and T-260 Tool Set
27013	K-400 AF w/C-45 IW	Machine with Gloves & Std. Equipment: AUTOFEED, C-45 IW ½" × 75' (13 mm × 23 m) Solid Core (Integral Wound) Cable and T-260 Tool Set

K-3800 DRUM MACHINE

CLEARs 3/4" TO 4" (19 TO 102 MM) DRAIN LINES

Powerful, easy-to-transport and versatile, the K-3800 is great for clearing indoor drains, sink lines, floor drains and roof vents. The rugged, corrosion-resistant drum won't dent or rust while an inner drum protects against cable flip-over inside the drum.

► **UNIVERSAL MOTOR**

230 W, 240 RPM universal motor automatically gears down for more power when cable hits blockage

► **PORTABILITY**

Cable drum's quick release and built-in hand-holds allow cable change and transport

► **CAPACITY**

Standard drum capacity is 3/8" of 100' (10 mm of 30 m) or 1/2" of 90' (13 mm of 28 m) continuous length cable

► **CABLE SIZE**

3/8" (10 mm) cable is best for 1 1/2" to 3" (38 to 76 mm) lines up to 100' (30 m)
1/2" (13 mm) IC cable is best for 2" to 4" (51 to 102 mm) lines up to 90' (28 m)

► **SINK OPTIONS**

Optional sink drum holds 5/16" or 1/4" (6 or 8 mm) cable up to 50' (15 m) – ideal for cleaning 3/4" to 1 1/2" (19 to 38 mm) sink traps

► **CABLE STRENGTH**

Integral Wound (IW) cables – which are slightly stiffer and more kink resistant – are available

CATALOG NO.	MODEL NO.	DESCRIPTION
53107	K-3800	Machine with Gloves
53112	K-3800 w/C-31	K-3800 Machine with: C-31, 3/8" x 50' (10 mm x 15 m) Cable, T-202 Bulb Auger, T-205 "C" Cutter, T-211 Spade Cutter and A-13 Pin Key
53117	K-3800 w/C-32	K-3800 Machine with: C-32, 3/8" x 75' (10 mm x 23 m) Cable, T-202 Bulb Auger, T-205 "C" Cutter, T-211 Spade Cutter and A-13 Pin Key
53122	K-3800 w/C-45	K-3800 Machine with: C-45, 1/2" x 75' (13 mm x 23 m) Cable, T-102 Funnel Auger, T-142 Knife Blade Cutter, T-107 Spade Cutter and A-12 Pin Key



DRAIN CLEANING DRUM MACHINES



K-750 DRUM MACHINE

CLEARs 3" TO 8" (76 TO 203 MM) DRAIN AND SEWER LINES

The RIDGID® K-750 is a powerful, self-contained drum machine that's ideal for clearing lateral lines. Balanced design gives the machine a lightweight feel while transport wheels make loading on and off the truck easier.

► **RECOMMENDED CABLES**

- 5/8" (16 mm) cable for 3" to 6" (76 to 152 mm) drain lines up to 150' (46 m)
- 3/4" (19 mm) cable for 4" to 8" (102 to 203 mm) drain lines up to 200' (61 m)

► **VERSATILE AUTOFEED®**

- Advance and retrieve cable up to 20' (6 m) per minute
- Adjust for either 5/8" or 3/4" (16 or 19 mm) cable with a twist of a screwdriver

► **SERIOUS STORAGE**

- Drum holds 3/4" × 100' (19 mm × 30 m) or 5/8" × 125' (16 mm × 38 m) cable and is designed for quick, easy removal

CATALOG NO.	MODEL NO.	DESCRIPTION
41977	K-750	Machine with Gloves and AUTOFEED - 3/4" (19 mm) Pigtail
51402	K-750	Machine with Gloves and AUTOFEED - 5/8" (16 mm) Pigtail
42002	K-750 with C-75	Machine with One Pair of Gloves, AUTOFEED, Standard 3/4" (19 mm) Tool Set, and: C-75, 3/4" × 75' (19 mm × 23 m) Cable
42007	K-750	Machine with One Pair of Gloves, w/C-100 AUTOFEED, Standard 3/4" (19 mm) Tool Set, and: C-100, 3/4" × 100' (19 mm × 30 m) Cable
42012	K-750 with C-27	Machine with One Pair of Gloves, AUTOFEED, Standard 5/8" (16 mm) Tool Set, and: C-27, 5/8" × 75' (16 mm × 23 m) Cable
47047	K-750 with C-24	Machine with One Pair of Gloves, AUTOFEED, Standard 5/8" (16 mm) Tool Set, and: C-24, 5/8" × 100' (16 mm × 30 m) Cable



K-750R DRUM MACHINE

CLEARs 3" TO 6" (76 TO 152 MM) DRAIN LINES

The RIDGID K-750R drum machine is ideal for clearing roots, debris and foreign objects from main lines, storm drains, house laterals and leach lines. Its narrow design makes it easy to get through small entryways. Minimal setup along with a large blade assortment make this a perfect fit for tough mainline work.

► **CABLE CONTROL SYSTEM**

- The drum stops spinning when the blade is lodged in a blockage to prevent cable flip

► **CLEAR VIEWING**

- Access to the drum allows immediate viewing of the cable for inspection as well as faster cleaning

► **BALANCED DESIGN**

- Dual kickstands for stability during operation

CATALOG NO.	MODEL NO.	DESCRIPTION
83557	K-750R	5/8" (16 mm) Open Cage Drum Machine with 5/8" x 100' (16 mm x 30 m) IW Solid Core Cable; 2", 3", 4" "C" Cutters; P-Trap Cutter; Spade Blade; Tool Box; Gloves



K-6200 DRUM MACHINE

CLEAR 3" TO 6" (76 TO 152 MM) DRAIN AND SEWER LINES

The RIDGID® K-6200 has a low center of gravity and custom kickstand to stabilize the machine during operation while the smaller footprint makes getting in and out of tight work spaces easier. Direct drive design means the 600 W universal motor and gearbox bear down as torque builds and its cable control system causes the drum to stop spinning when the blade becomes lodged in a blockage to minimize the potential for cable flip.

► **CABLE CONTROL SYSTEM**

The drum stops spinning when the blade is lodged in a blockage to prevent cable flip

► **DIRECT DRIVE DESIGN**

Audible warnings let operator know when the blockage is encountered

No drum adjustments necessary to stay aligned and tight on the drive shaft

► **AUTOFEED® INCLUDED**

Comes standard with AUTOFEED control, toolbox and selection of cutters

CATALOG NO.	MODEL NO.	DESCRIPTION
95737	K-6200	Machine with 5/8" (16 mm) Pigtail
95732	K-6200 with C-24	Machine, Standard Accessories and 5/8" × 100' (16 mm × 30 m) Inner Core Cable
93557	K-6200 with C-24 HD Cable	Machine, Standard Accessories and 5/8" × 100' (16 mm × 30 m) HD Solid Core Cable



K-7500 DRUM MACHINE

CLEAR 3" TO 10" (76 TO 254 MM) DRAIN LINES

The RIDGID K-7500 drum machine is the definition of heavy-duty. Its powerful – yet surprisingly quiet – 600 W universal motor spins cables at 200 RPM making it an ideal solution for tough obstructions like roots. Narrow enough to fit through bathroom doors, the K-7500 also features a two-position stair climber and adjustable handles for ease of transport and loading.

► **CABLE CONTROL**

Inner-drum and ball bearing distributor arm work in tandem with motor and gearbox system to reduce cable flip inside the drum

► **AUTOFEED**

Grease fittings and an open design make for easy maintenance

AUTOFEED advances and retrieves cable up to 22' (6.7 m) per minute

► **TRANSPORT ASSIST**

Two-position stair climber eliminates extra cost for loading wheels

CATALOG NO.	MODEL NO.	DESCRIPTION
59562	K-7500	Machine with 3/4" (19 mm) Pigtail and Standard Accessories
60052	K-7500 C-100	Machine, Standard Accessories, and 3/4" × 100' (19 mm × 30 m) Inner Core Cable.
60062	K-7500 w/C-75	Machine, Standard Accessories, and 3/4" × 75' (19 mm × 23 m) Inner Core Cable.
61102	K-7500	Machine with 5/8" (16 mm) Pigtail and Standard Accessories

SECTIONAL MACHINES



PORTABLE POWER. TOTAL CONTROL.

All RIDGID® sectional machines come equipped with a unique, instant-acting cable clutch for maximum operator control. Push the handle down and the cable spins. Release the handle and the cable stops instantly.

KEY FEATURES

- INSTANT-ACTING CABLE CLUTCH
- HIGH-SPEED CUTTING ACTION
- HIGHLY PORTABLE

RIDGID

DRAIN CLEANING SECTIONAL MACHINES



APPLICATION CHART	SINK LINES		FLOOR/SECONDARY DRAINS			
			LATERALS & MAIN LINES			
	LINE SIZE:	3/4" - 4" (19 - 102 mm)	1 1/4" - 4" (32 - 102 mm)	2" - 8" (51 - 203 mm)	2" - 8" (51 - 203 mm)	2" - 10" (51 - 254 mm)
SPEED:	400 RPM	600 RPM	700 RPM	710 RPM	600 RPM	600 RPM
HORSEPOWER:	1/8 HP	1/2 HP	3/4 HP	3/4 HP	1 HP	6 HP Gas
WEIGHT:	37 lb (17 kg)	41 lb (19 kg)	55 lb (25 kg)	135 lb (61 kg)	141 lb (64 kg)	190 lb (86 kg)

CABLES FOR SECTIONAL MACHINES

PRODUCTS:	K-50		K-60SP		K-5208, K-1500, K-1500SP & K-1500G	
	CABLE DIAMETER:	3/8" (16 mm)	3/8", 7/8" (16 mm, 22 mm)	3/8", 1 1/4" (22 mm, 32 mm)		
	AVAILABLE LENGTHS:	7 1/2', 10' (2 m, 3 m)	7 1/2', 10', 15' (2 m, 3 m, 4.6 m)	15' (4.6 m)		
CABLE TYPE:	Tight Wound, All-Purpose Wound, Heavy-Duty Wound	Tight Wound, All-Purpose Wound, Heavy-Duty Wound, Plastic Core	All-Purpose Wound, Plastic Core, Extra Heavy-Duty Wound, Heavy-Duty Wound, Extra Flexibility			

Tight Wound Cable provides good rigidity in a hollow core cable.

All Purpose Wound Provides excellent flexibility, yet rigid enough for fast tough cleaning.

Heavy-Duty Wound Open wind especially good for long runs.

Extra Heavy-Duty Wound Designed for 4' to 10' (1.2 to 3 m) long runs.

Plastic Core Standard all-purpose wind with plastic core to help prevent buildup inside cable.

Extra Flexibility Recommended for 3" to 6" (76 to 152 mm) lines and ideal for 4" (102 mm) traps.

DRAIN CLEANING SECTIONAL MACHINES



K-50 SECTIONAL MACHINE

CLEARs 3/4" TO 4" (19 TO 102 MM) DRAIN LINES

Compact and versatile, the K-50 has the capability to run three different cable sizes: 5/16" (8 mm), 3/8" (10 mm) and 5/8" (16 mm). At under 40 pounds, it's a great all-around sink, shower and floor drain machine.

▶ **RECOMMENDED USAGE**

C-8 is best for 1/4" to 3" (32 to 76 mm) drains

C-9 is best for 2" to 4" (51 to 102 mm) drains

▶ **INSTANT-ACTING CABLE CLUTCH**

Maximizes operator control

Pull handle down and cable spins. Release handle and cable stops instantly

▶ **POWERFUL MOTOR**

300 W motor spins cable at 400 RPM



CATALOG NO.	MODEL NO.	DESCRIPTION
58920	K-50	Machine Only
58960	K-50-4	Machine with A-30 Cable Kit
58980	K-50-6	Machine with 17-A Adapter, A-30 Cable Kit
59000	K-50-8	Machine, with A-17-A Adapter, A-17-B Adapter, A-30 Cable Kit
52972	K-50-9	Machine, with A-40 Cable Kit



K-60SP SECTIONAL MACHINE

CLEARs 1¼" TO 4" (32 TO 102 MM) DRAIN LINES

The 840 W motor on the RIDGID® K-60SP sectional machine is ideal for institutional, commercial or residential jobs. Its rear handle makes it easier to carry up ladders to clear rooftop vent stacks and it's quickly become a favorite of septic tank vacuum truck operators.

▶ **RECOMMENDED USAGE**

7/8" (22 mm) cable (C-10) cleans 2" to 4" (51 to 102 mm) lines through 150' (46 m)

5/8" (16 mm) cable (C-7, C-8, C-9) cleans 1¼" to 4" (32 to 102 mm) lines through 125' (38 m)

▶ **INSTANT-ACTING CABLE CLUTCH**

Maximizes operator control

Pull handle down and cable spins. Release handle and cable stops instantly

▶ **POWERFUL MOTOR**

840 W motor spins cable at 600 RPM

▶ **EASY ACCESS**

Remove two bolts to access jaw set for cleaning or replacement as well as access to belt drive

▶ **ADJUST IN SECONDS**

Simple adjustment knob allows unit to spin both 7/8" (22 mm) and 5/8" (16 mm) diameter cable

CATALOG NO.	MODEL NO.	DESCRIPTION
66492	K-60SP	Machine with A-1 Operator's Mitt, A-12 Pin Key, and A-60-12 Rear Guide Hose
66497	K-60SP-SE	Machine with A-1 Operator's Mitt, A-12 Pin Key, and A-60-12 Rear Guide Hose, plus: A-61 Tool Kit and A-62 Cable Kit



DRAIN CLEANING
SECTIONAL MACHINES

EVERY DETAIL WITH PURPOSE

RIDGID.COM/K5208



IN-FIELD SERVICEABILITY
Minimize downtime

**TOOL-LESS CLUTCH
ADJUSTMENT**
Quickly switch
cable sizes

SQUARE TUBING
Added strength
and durability

DRAIN PLUG
For increased
bearing life

**TRIDENT
DECOUPLING TOOL**
Easily disconnect
cable sections

RUBBER FEET
Anti-slip grip

DRAIN CLEANING SECTIONAL MACHINES

K-5208 SECTIONAL MACHINE

CLEARs 2" TO 8" (51 TO 203 MM) DRAIN LINES

NEW

The RIDGID® K-5208 is the most powerful, compact sectional machine on the market. Power meets portability as this machine is 35% lighter and 71% smaller than previous RIDGID sectional drain cleaners. It's the sectional machine you need on your truck.



- ▶ **MORE POWER**
1248 W motor spins cable at 700 RPM up to 200' (61 m)
- ▶ **TOOL-LESS CLUTCH ADJUSTMENT**
Quickly switch between cable sizes without additional tools
- ▶ **IN-FIELD SERVICEABILITY**
Minimize downtime when maintenance is necessary
- ▶ **COMPATIBLE TRANSPORT CART**
Easy mobility to and from jobsites
- ▶ **STAIR CLIMBER FEATURE**
Transport Cart helps move machine up and down stairs

CATALOG NO.	MODEL NO.	DESCRIPTION
61688	K-5208	K-5208, 115 V 60 Hz Machine with guide hose
61693	K-5208	K-5208, 115 V 60 Hz Machine with guide hose, qty: 4 C-11 cables, sectional cable carrier, and toolbox (w/cutters) kit
62378	K-5208	K-5208, 115 V 60 Hz Machine with guide hose, qty: 7 C-11 cables, qty: 2 A-8 wire baskets, and toolbox (w/cutters) kit
64678	K-5208	K-5208, 115 V 60 Hz Machine with guide hose, qty: 4 C-11 cables, sectional cable carrier, toolbox (w/cutters) kit & transport cart

Accessories

CATALOG NO.	MODEL NO.	DESCRIPTION
61708	K-5208	Sectional Cable Carrier
61713	K-5208	Sectional Cable Drum
61718	K-5208	Trident Cable Decoupler
61723	K-5208	KIT, K-5208 Toolbox w/cutters
64863	K-5208	K-5208 Transport Cart
62280	K-5208	1¼" x 15' (32 mm x 4.6 m) Standard All-Purpose Wind. ⅜" (10 mm) Pitch. Good for 4" (102 mm) Traps, 3" - 8" (76 - 203 mm) Lines
59400	K-5208	15' (4.6 m) Rear Guide Hose



Cable Carrier
Cat. #61708



Transport Cart
Cat. #64863



Trident Sectional
Cable Decoupler
Cat. #61718



K-5208 Kit
Cat. #61693

DRAIN CLEANING SECTIONAL MACHINES



K-1500 SECTIONAL MACHINE

CLEAR 2" TO 8" (51 TO 203 MM) DRAIN AND SEWER LINES

For the heaviest blockages indoors or out turn to the RIDGID® K-1500 sectional machine. Sturdy wheels on a low-profile “B” frame design make it easy to load and unload the machine from your truck and get into most crawl spaces, while its upright “A” frame features cable carrier storage that is ideal for in-house applications. The easy clutch jaw change-out adapts the K-1500 to run 15' (4.6 m) sections of 7/8" (22 mm) cable up to 175' (53 m).

- ▶ **HEAVY-DUTY POWER**
1196 W motor spins cable at 710 RPM
- ▶ **CLEAR 2" TO 8" (51 TO 203 MM) LINES UP TO 200' (60 M)**
Using easy-to-handle 15' (4.6 m) sections of 1¼" (32 mm) cable
- ▶ **EASY CLUTCH JAW CHANGE-OUT**
Adapts to run 15' (4.6 m) sections of 7/8" (22 mm) cable through 2" to 4" (51 to 203 mm) lines up to 175' (53 m)
- ▶ **LOW-PROFILE DESIGN**
"B" frame design loads and unloads from truck easily and fits in most crawl spaces

Machine Options – A Frame

CATALOG NO.	MODEL NO.	DESCRIPTION
23692	K-1500A	Machine with A-1 Mitt, A-12 Pin Key, and Rear Guide Hose
23702	K-1500A	Machine with A-1 Mitt, A-12 Pin Key, and Rear Guide Hose, Plus: Seven Sections 1¼" (32 mm) (C-14) Cable, Total 105' (32 m), Two A-8 Cable Carriers and Nine-Piece 1¼" (32 mm) Tool Set
23712	K-1500A	Machine with A-1 Mitt, A-12 Pin Key, and Rear Guide Hose, Plus: Seven Sections 1¼" (32 mm) (C-11) Cable, Total 105' (32 m), Two A-8 Cable Carriers and Nine-Piece 1¼" (32 mm) Tool Set

Machine Options – B Frame

CATALOG NO.	MODEL NO.	DESCRIPTION
23697	K-1500B	Machine with A-1 Mitt, A-12 Pin Key, and Rear Guide Hose
23707	K-1500B	Machine with A-1 Mitt, A-12 Pin Key, and Rear Guide Hose, Plus: Seven Sections 1¼" (32 mm) (C-14) Cable Total 105' (32 m), Two A-8 Cable Carriers and Nine-Piece 1¼" (32 mm) Tool Set
23717	K-1500B	Machine with A-1 Mitt, A-12 Pin Key, and Rear Guide Hose, Plus: Seven Sections 1¼" (32 mm) (C-11) Cable, Total 105' (32 m), Two A-8 Cable Carriers and Nine-Piece 1¼" (32 mm) Tool Set



K-1500SP SECTIONAL MACHINE

CLEAR 2" TO 10" (51 TO 254 MM) DRAIN AND SEWER LINES

One man can easily clear the heaviest blockages – indoors or out – with the heavy-duty K-1500SP sectional machine. Its unique, instant-acting cable clutch maximizes operator control of a 1500 W motor. Pull the handle down and the cable spins at 600 RPM. Release the handle and the cable stops instantly. The K-1500SP has a low-profile design with 10" (250 mm) solid ball bearing wheels that makes getting in and out of the job easier.

► **HEAVY-DUTY POWER**

1500 W motor spins cable at 600 RPM

► **EASY CLUTCH JAW CHANGE-OUT**

Adapts to run 15' (4.6 m) sections of 7/8" (22 mm) cable through 2" to 4" lines (51 to 102 mm) up to 175' (53 m)

► **CLEAR 2" TO 10" (51 TO 254 MM) LINES UP TO 200' (60 M)**

Using easy-to-handle 15' (4.6 m) sections of 1 1/4" (32 mm) cable

Machine Options – A Frame

CATALOG NO.	MODEL NO.	DESCRIPTION
46837	K-1500SPA	Machine with A-1 Operator's Mitt and A-12 Pin Key, Plus: Rear Guide Hose
46902	K-1500SPA	Machine with A-1 Operator's Mitt and A-12 Pin Key, Plus: Rear Guide Hose, 150' (46 m), Ten Sections of C-11, 1 1/4" (32 mm) Cable, Three A-8 Cable Carriers, A-3 Tool Box, Eight-Piece 1 1/4" (32 mm) Tool Package
91032	K-1500SPA	Machine with A-1 Operator's Mitt and A-12 Pin Key, Plus: Rear Guide Hose & C-14 Three Carrier Cable Combination Kit
45307	K-1500SPA	Machine with A-1 RIDGID Drain Cleaning Mitt, A-12 Pin Key, and Rear Guide Hose, Plus SE Tool Kit

Machine Options – B Frame

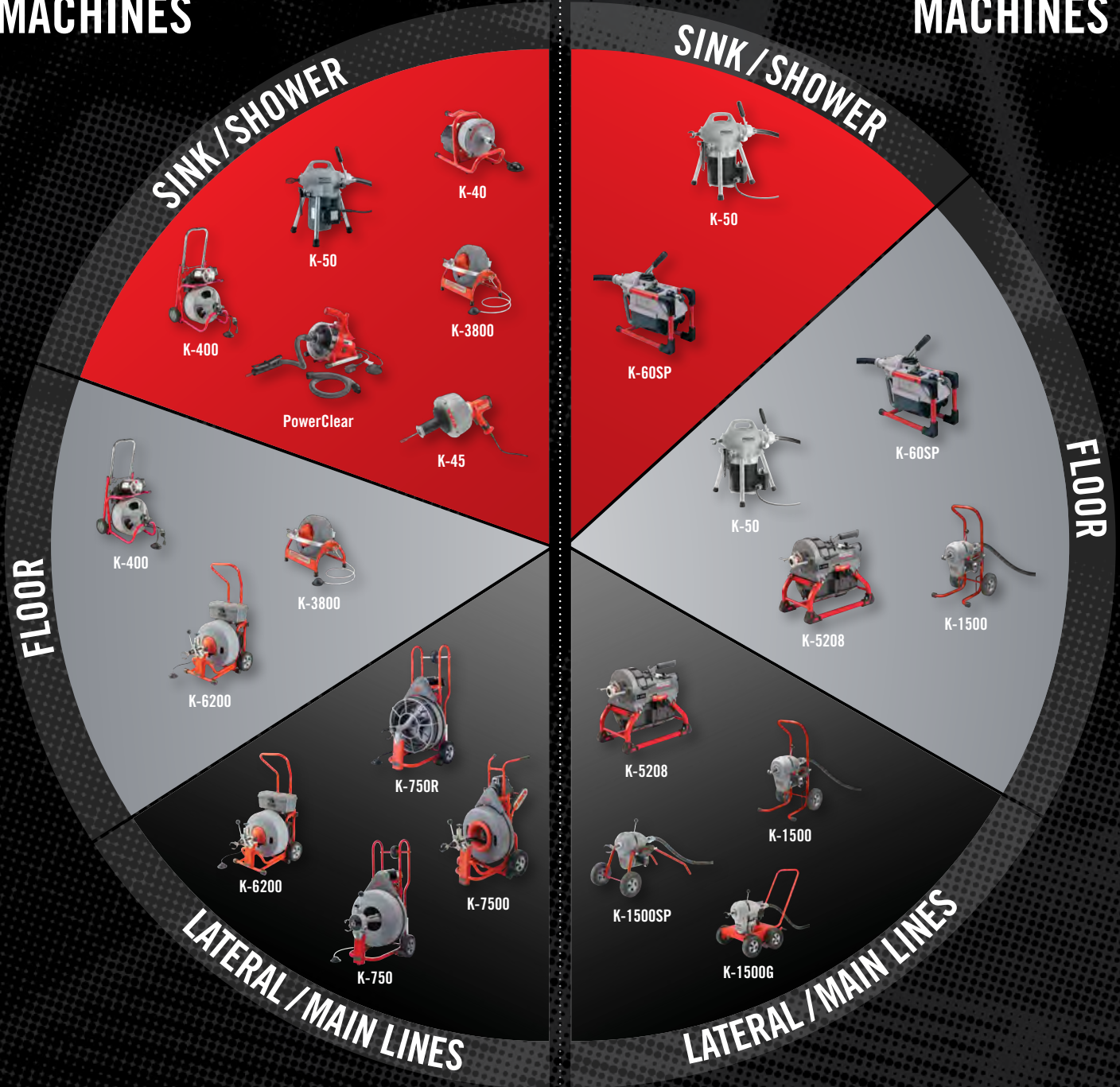
CATALOG NO.	MODEL NO.	DESCRIPTION
43507	K-1500SPB	Machine with A-1 Operator's Mitt and A-12 Pin Key, Plus: Rear Guide Hose
46907	K-1500SPB	Machine with A-1 Operator's Mitt and A-12 Pin Key, Plus: Rear Guide Hose, 150' (46 m), Ten Sections of C-11, 1 1/4" (32 mm) Cable, Three A-8 Cable Carriers, A-3 Tool Box, Eight-Piece 1 1/4" (32 mm) Tool Package
91027	K-1500SPB	Machine with A-1 RIDGID Drain Cleaning Mitt and A-12 Pin Key Plus: Rear Guide Hose - C-14 Three Carrier Cable Combination Kit

DRUM AND SECTIONAL TOOL GUIDE

Every plumbing professional knows that the only way to win the job is to have the right tools on your truck. That's why we have the most complete line of pipe and drain cleaning equipment in the industry. We continue to build on our history of reliability with innovative new products.

DRUM MACHINES

SECTIONAL MACHINES



DRUM MACHINES



APPLICATION CHART

POWERCLEAR K-40 K-45 K-400 K-3800 K-6200 K-750 K-750R K-7500

APPLICATION:	SINK / SHOWER LINES					FLOOR/SECONDARY DRAINS		LATERALS/MAIN LINES		
	LINE SIZE:	3/4" - 1 1/2"	3/4" - 2 1/2"	3/4" - 2 1/2"	1 1/2" - 4"	3/4" - 4"	3" - 6"	3" - 8"	3" - 6"	3" - 10"
	SPEED:	450 RPM	270 RPM	600 RPM	170 RPM	240 RPM	285 RPM	200 RPM	200 RPM	200 RPM
HORSEPOWER:	1/8 HP	1/8 HP	1/2 HP	1/8 HP	1/2 HP	1/10 HP	1/2 HP	1/2 HP	1/10 HP	
WEIGHT:	12 lb	36 lb	12.6 lb	60 lb	65 lb	180 lb	206 lb	194 lb	244 lb	
RECOMMENDED CABLE:	Hose Extension	3/8" or 5/16" Cable	1/4", 5/16", 3/8" Cable	Integral Wound	Inner Core	Inner Core	Inner Core	Inner Core	Inner Core	
CATALOG #:	115 V: 55808	115 V: 71702, 71722, 78347 230 V: 71727, 71732	115 V: 36018, 36013, 36023, 36028 220-240 V: 36048, 36053, 36058	115 V: 52363, 26993, 26998, 27003, 27008, 27013 220-240 V: 27043, 27033, 28103, 28098	115 V: 53107, 53112, 53117, 53122, 53127 220-240 V: 59462, 63827, 63822	115 V: 95737, 95732, 93557	115 V: 41977, 51402, 42002, 42007, 42012, 47047 220-240 V: 44202, 51407, 44212, 44217	115 V: 83557	115 V: 59562, 61102, 60062, 60052 220-240 V: 61542, 61522	

SECTIONAL MACHINES



APPLICATION CHART

K-50 K-60SP K-5208 K-1500 K-1500SP K-1500G

APPLICATION:	SINK / SHOWER LINES		FLOOR/SECONDARY DRAINS		LATERALS/MAIN LINES		
	LINE SIZE:	3/4" - 4"	1 1/4" - 4"	2" - 8"	2" - 8"	2" - 10"	2" - 10"
	SPEED:	400 RPM	600 RPM	700 RPM	710 RPM	600 RPM	600 RPM
HORSEPOWER:	1/8 HP	1/2 HP	3/4 HP	3/4 HP	1 HP	6 HP	
WEIGHT:	37 lb	41 lb	55 lb	135 lb	141 lb	190 lb	
CABLE SIZE:	3/16", 3/8", 3/4"	5/8", 1"	7/8", 1 1/4"	7/8", 1 1/4"	7/8", 1 1/4"	7/8", 1 1/4"	
CATALOG #:	115 V: 58920, 58960, 58980, 59000, 52972 230 V: 76455, 76475, 76485, 76495	115 V: 66492, 66497 220-240 V: 66512, 66517	115 V: 61688, 61693, 62378, 64678 220-240 V: 61698, 61703, 64068, 64073, 64248, 64423, 64688, 64783	B Frame 115 V: 23697, 23717, 23707 220-240 V: 27617, 27597, 27637 A Frame 115 V: 23692, 23712, 23702 220-240 V: 27612, 27592	B Frame 115 V: 43507, 46907, 91027 220-240 V: 43512 A Frame 115 V: 46837, 46902, 91032	GAS: 44587	

DRAIN CLEANING CABLE GUIDE

All RIDGID® drain cleaning machines are designed to minimize downtime of the machine while maximizing cable life. Each cable is built with a unique purpose for a specific application to allow you to expand your business offering and ensure no job is left unsolved.

SECTIONAL CABLES



CABLE TYPE	CATALOG NO.	MODEL NO.	CABLE DESCRIPTION	K-50	K-60 SP	K-5208	K-1500	K-1500SP	K-1500G	FUNCTION
5/8" CABLES	62265	C-7	5/8" x 7.5' Tight-Wind	x	x					Heavy-Duty
	62270	C-8	5/8" x 7.5' All Purpose Wind	x	x					All Around Ability
	25046	C-8IC	5/8" x 7.5' Inner Core Cable	x	x					Heavy-Duty
	51317	C-9	5/8" x 10' Heavy-Duty Wind	x	x					Heavy-Duty
7/8" CABLES	62275	C-10	7/8" x 15' All Purpose Wind		x	x	x	x	x	All Around Ability
	25036	C-10PC	7/8" x 15' All Purpose Wind w/ Inner Core		x	x	x	x	x	Heavy-Duty
1 1/4" CABLES	62280	C-11	1 1/4" x 15' All Purpose Wind			x	x	x	x	All Around Ability
	24226	C-11PC	1 1/4" x 15' All Purpose Wind w/ Plastic Core			x	x	x	x	Heavy-Duty
	62285	C-12	1 1/4" x 15' Extra Heavy-Duty Wind			x	x	x	x	Heavy-Duty
	62295	C-14	1 1/4" x 15' Heavy-Duty Wind			x	x	x	x	Heavy-Duty
	62300	C-15	1 1/4" x 15' Extra Flexible Wind			x	x	x	x	Flexible

The new sectional cable carrier lets you transport cables in and out of the jobsite faster and cleaner. A sturdy base keeps the carrier secure, so you can spin sectional cables in or out of the housing unit efficiently. The carrier keeps soiled cables contained to mitigate jobsite contamination.



SECTIONAL CABLE CARRIER
Cat. # 61708

DRUM CABLES

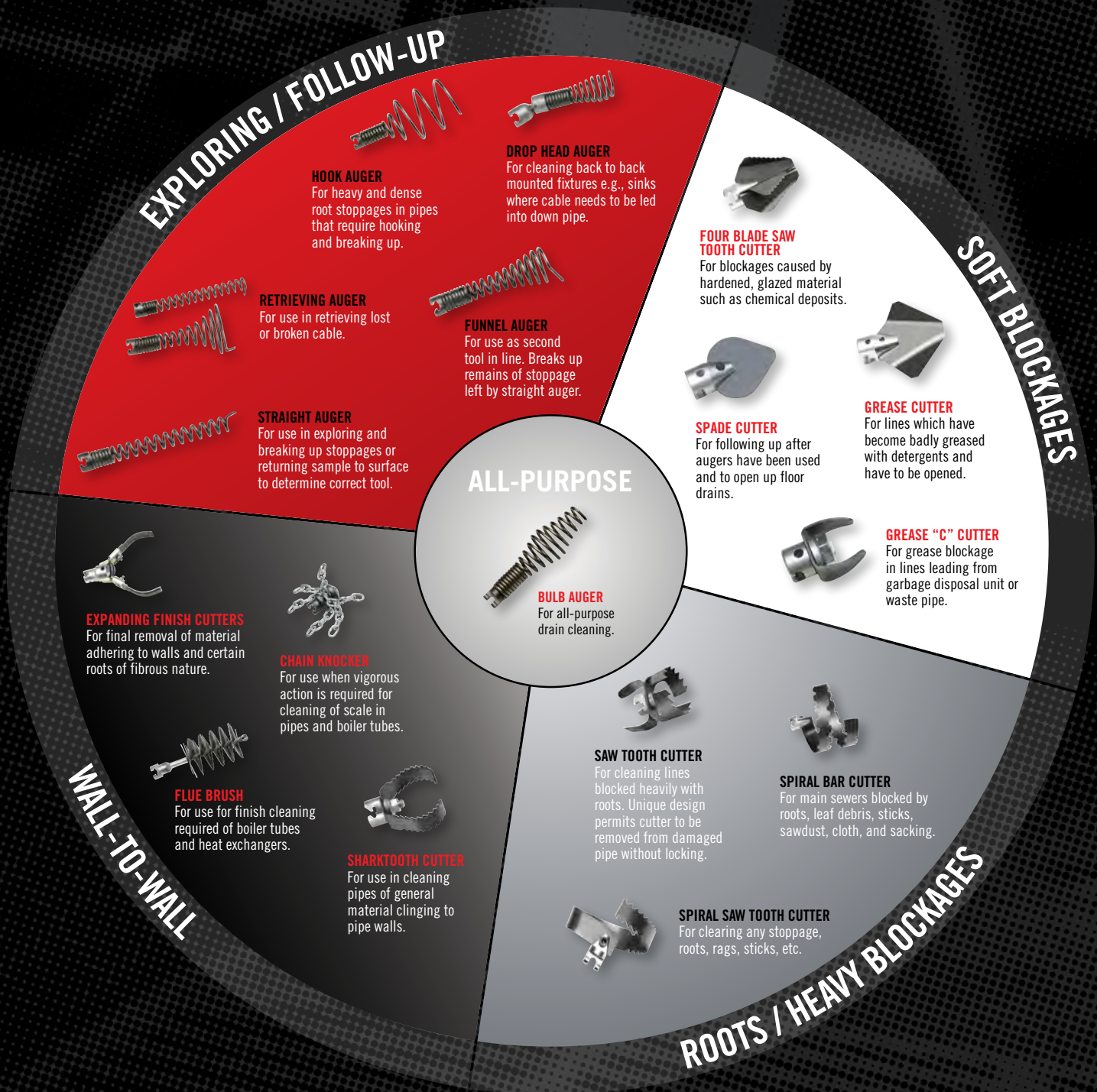


CABLE TYPE	CATALOG NO.	MODEL NO.	CABLE DESCRIPTION	K-50*	K-400	K-3800	K-6200	K-750	K-7500	K-750R	FUNCTION
SINK DRUM	50652	S-2	¼" x 25' w/ Funnel Auger			x					Flexible
	50657	S-3	¼" x 35' w/ Funnel Auger			x					Flexible
	56782	C-11C	⅝" x 25' Inner Core w/ Bulb Auger	x		x					All Around Ability
	56792	C-131C	⅝" x 35' w/ Bulb Auger	x		x					Flexible
	56787	C-21C	⅝" x 25' Inner Core w/ Drop Head Auger	x		x					All Around Ability
	56797	C-231C	⅝" x 35' w/ Drop Head Auger	x		x					Flexible
⅜" CABLES	87577	C-311W	⅜" x 50' Integral Wound Cable	x	x	x					Heavy-Duty
	87582	C-321W	⅜" x 75' Integral Wound Cable		x	x					Heavy-Duty
	87587	C-331W	⅜" x 100' Integral Wound Cable		x	x					Heavy-Duty
	37842	C-31	⅜" x 50' Inner Core Cable	x		x					All Around Ability
	37847	C-32	⅜" x 75' Inner Core Cable			x					All Around Ability
	37852	C-33	⅜" x 100' Inner Core Cable			x					All Around Ability
½" CABLES	87592	C-441W	½" x 50' Integral Wound Cable		x	x					Heavy-Duty
	87597	C-451W	½" x 75' Integral Wound Cable		x	x					Heavy-Duty
	37857	C-44	½" x 50' Inner Core Cable			x					All Around Ability
	37862	C-45	½" x 75' Inner Core Cable			x					All Around Ability
	37867	C-45HC	½" x 75' Hollow Core Cable			x					Flexible
	55467	C-46	½" x 90' Inner Core Cable			x					All Around Ability
⅝" CABLES	92460	C-25	⅝" x 25' Inner Core Cable				x	x	x	x	All Around Ability
	92465	C-26	⅝" x 50' Inner Core Cable				x	x	x	x	All Around Ability
	92470	C-27	⅝" x 75' Inner Core Cable				x	x	x	x	All Around Ability
	43647	C-24	⅝" x 100' Inner Core Cable				x	x	x	x	All Around Ability
	32737	C-27HC	⅝" x 75' Hollow Core Cable				x	x	x	x	Flexible
	58192	C-24HC	⅝" x 100' Hollow Core Cable				x	x	x	x	Flexible
	37628	C-25HD	⅝" x 25' Heavy-Duty Cable				x	x	x	x	Heavy-Duty
	37633	C-26HD	⅝" x 50' Heavy-Duty Cable				x	x	x	x	Heavy-Duty
	37638	C-27HD	⅝" x 75' Heavy-Duty Cable				x	x	x	x	Heavy-Duty
	37643	C-24HD	⅝" x 100' Heavy-Duty Cable				x	x	x	x	Heavy-Duty
¾" CABLES	92475	C-28	¾" x 25' Inner Core Cable					x	x	x	All Around Ability
	92480	C-29	¾" x 50' Inner Core Cable					x	x	x	All Around Ability
	41212	C-75	¾" x 75' Inner Core Cable					x	x	x	All Around Ability
	41697	C-100	¾" x 100' Inner Core Cable					x	x	x	All Around Ability
	47427	C-75HC	¾" x 75' Hollow Core Cable					x	x	x	Flexible
	47432	C-100HC	¾" x 100' Hollow Core Cable					x	x	x	Flexible

*Drum cable can be used with adapter

DRAIN CLEANING CABLE TOOLS

RIDGID® offers a wide variety of cutters, augers and chain knockers to clean everything from grease to root blockages. With the RIDGID line of cable tools, you will always have the right tool for the job.



DRAIN CLEANING CABLE TOOLS

EXPLORING / FOLLOW-UP

DESCRIPTION	CAT #	MODEL #	MACHINE USED
Hook Auger	63200	T-7	K-1500, K-1500SP, K-1500G, K-5208
Drop Head 4" Long	63065	T-217	K-50, K-400, K-3800
Straight Retrieving Auger	55457	T-225	K-50, K-400, K-3800
Straight Retrieving Auger	27642	T-125	K-60, K-1500, K-1500SP, K-1500G, K-5208
Straight Retrieving Auger	63190	T-5	K-1500, K-1500SP, K-1500G, K-5208
Funnel Retrieving Auger	63195	T-6	K-1500, K-1500SP, K-1500G, K-5208
Funnel Retrieving Auger	92500	T-407	K-6200, K-750, K-7500, K-750R
Funnel Auger 3"	63010	T-206	K-50, K-400, K-3800
Funnel Auger	62855	T-102	K-60, K-1500, K-1500SP, K-1500G, K-5208
Funnel Auger	63105	T-3	K-1500, K-1500SP, K-1500G, K-5208
Heavy-Duty Funnel Auger	61790	T-4	K-1500, K-1500SP, K-1500G, K-5208
Straight 5" Auger	62990	T-201	K-50, K-400, K-3800
Straight Auger	62850	T-101	K-60, K-1500, K-1500SP, K-1500G, K-5208
Straight Auger	62840	T-1	K-1500, K-1500SP, K-1500G, K-5208
Heavy-Duty Straight Auger	61800	T-2	K-1500, K-1500SP, K-1500G, K-5208

SOFT BLOCKAGES

DESCRIPTION	CAT #	MODEL #	MACHINE USED
4-Blade Cutter 1"	63045	T-213	K-50, K-400, K-3800
4-Blade Cutter 1½"	63050	T-214	K-50, K-400, K-3800
4-Blade Cutter 1¾"	63055	T-215	K-50, K-400, K-3800
4-Blade Cutter 1¾"	62930	T-112	K-60, K-1500, K-1500SP, K-1500G, K-5208
4 Blade Cutter 3"	62935	T-113	K-60, K-1500, K-1500SP, K-1500G, K-5208
4-Blade Cutter 2½"	59765	T-24	K-1500, K-1500SP, K-1500G, K-5208
4-Blade Cutter 3½"	59770	T-25	K-1500, K-1500SP, K-1500G, K-5208
4-Blade Cutter 4½"	59775	T-26	K-1500, K-1500SP, K-1500G, K-5208
4-Blade Cutter 5½"	59780	T-26A	K-1500, K-1500SP, K-1500G, K-5208
Spade Cutter 1¼"	63030	T-210	K-50, K-400, K-3800
Spade Cutter 1¾"	63035	T-211	K-50, K-400, K-3800
Spade Cutter 1¾"	63040	T-212	K-50, K-400, K-3800
Spade Cutter 1¾"	92495	T-406	K-6200, K-750, K-7500, K750R
Spade Cutter 1¾"	62880	T-107	K-60, K-1500, K-1500SP, K-1500G, K-5208
Grease Cutter 2½"	62870	T-105	K-60, K-1500, K-1500SP, K-1500G, K-5208
Grease Cutter 3½"	62875	T-106	K-60, K-1500, K-1500SP, K-1500G, K-5208
Grease Cutter 2½"	63205	T-8	K-1500, K-1500SP, K-1500G, K-5208
Grease Cutter 3½"	63210	T-9	K-1500, K-1500SP, K-1500G, K-5208
Grease Cutter 4½"	62845	T-10	K-1500, K-1500SP, K-1500G, K-5208
"C" Cutter 1"	54837	T-204	K-50, K-400, K-3800
"C" Cutter 1¾"	63005	T-205	K-50, K-400, K-3800
Heavy-Duty "C" Cutter 2"	52812	T-230	K-50, K-400, K-3800
Heavy-Duty "C" Cutter 2½"	52817	T-231	K-50, K-400, K-3800
Heavy-Duty "C" Cutter 3"	52822	T-232	K-50, K-400, K-3800

ALL-PURPOSE

DESCRIPTION	CAT #	MODEL #	MACHINE USED
Bulb Auger 1¼" OD	62995	T-202	K-50, K-400, K-3800
Bulb Auger ¾" OD	63000	T-203	K-50, K-400, K-3800
H-D Bulb Auger-1¾"	51762	T-409	K-6200, K-750, K-7500, K-750R

WALL-TO-WALL

DESCRIPTION	CAT #	MODEL #	MACHINE USED
Expanding Cutter 4"-6"	61770	T-15A	K-1500, K-1500SP, K-1500G, K-5208
Expanding Cutter 6"-8"	61825	T-15B	K-1500, K-1500SP, K-1500G, K-5208
Chain Knocker 2"	63060	T-216	K-50, K-400, K-3800
Chain Knocker	62940	T-114	K-60, K-1500, K-1500SP, K-1500G, K-5208
Flue Brush 1½"	63220	T-221	K-50, K-400, K-3800
Flue Brush 2"	63080	T-220	K-50, K-400, K-3800
Flue Brush 2½"	63070	T-219	K-50, K-400, K-3800
Flue Brush 3"	63280	T-218	K-50, K-400, K-3800
Flue Brush 1½"	63145	T-38	K-1500, K-1500SP, K-1500G, K-5208
Flue Brush 2"	63150	T-39	K-1500, K-1500SP, K-1500G, K-5208
Flue Brush 2½"	63155	T-40	K-1500, K-1500SP, K-1500G, K-5208
Flue Brush 3"	63160	T-41	K-1500, K-1500SP, K-1500G, K-5208
Flue Brush 3½"	63165	T-42	K-1500, K-1500SP, K-1500G, K-5208
Flue Brush 4"	63170	T-43	K-1500, K-1500SP, K-1500G, K-5208
Flue Brush 4½"	6315	T-44	K-1500, K-1500SP, K-1500G, K-5208
Flue Brush 5"	63240	T-45	K-1500, K-1500SP, K-1500G, K-5208
Flue Brush 5½"	36180	T-46	K-1500, K-1500SP, K-1500G, K-5208
Flue Brush 6"	36185	T-47	K-1500, K-1500SP, K-1500G, K-5208
Sharktooth Cutter 3"	98055	T-150-1	K-60, K-1500, K-1500SP, K-1500G, K-5208
Sharktooth Cutter 4"	98060	T-150-2	K-60, K-1500, K-1500SP, K-1500G, K-5208
Sharktooth Cutter 3"	98035	T-50-1	K-1500, K-1500SP, K-1500G, K-5208
Sharktooth Cutter 4"	98040	T-50-2	K-1500, K-1500SP, K-1500G, K-5208
Sharktooth Cutter 6"	98045	T-50-3	K-1500, K-1500SP, K-1500G, K-5208

ROOTS / HEAVY BLOCKAGES

DESCRIPTION	CAT #	MODEL #	MACHINE USED
Sawtooth Cutter 2½"	62860	T-103	K-60, K-1500, K-1500SP, K-1500G, K-5208
Sawtooth Cutter 2½"	61970	T-13	K-1500, K-1500SP, K-1500G, K-5208
Sawtooth Cutter 3½"	61975	T-14	K-1500, K-1500SP, K-1500G, K-5208
Sawtooth Cutter 3"	92505	T-408	K-6200, K-750, K-7500, K-750R
Spiral Sawtooth Cutter 1½"	62915	T-109	K-60, K-1500, K-1500SP, K-1500G, K-5208
Spiral Sawtooth Cutter 2¼"	62920	T-110	K-60, K-1500, K-1500SP, K-1500G, K-5208
Spiral Sawtooth Cutter 3"	62925	T-111	K-60, K-1500, K-1500SP, K-1500G, K-5208
Spiral Sawtooth Cutter 2½"	59625	T-21	K-1500, K-1500SP, K-1500G, K-5208
Spiral Sawtooth Cutter 3½"	63075	T-22	K-1500, K-1500SP, K-1500G, K-5208
Spiral Sawtooth Cutter 4½"	63085	T-23	K-1500, K-1500SP, K-1500G, K-5208
Spiral Bar Cutter 4"	61960	T-16	K-1500, K-1500SP, K-1500G, K-5208
Spiral Bar Cutter 6"	61850	T-17	K-1500, K-1500SP, K-1500G, K-5208
Spiral Bar Cutter 8"	61855	T-18	K-1500, K-1500SP, K-1500G, K-5208

FlexShaft™

RIDGID.COM/FLEXSHAFT



RIDGID® FLEXSHAFT MACHINES

NEW

FLEX YOUR COVERAGE

RIDGID FlexShaft machines deliver wall-to-wall clean in 1¼" to 6" (32 to 152 mm) lines from 50' to 125' (15 to 38 m). Designed with portability and efficiency in mind, these machines provide in-and-out speed that gets you from job to job faster. Perfect for clearing grease, sludge, small tree roots and soft blockages, FlexShaft machines are the trusted choice by drain cleaning professionals.

▶ LIGHTWEIGHT PORTABILITY

FlexShaft machines' lightweight design means you can carry one from your truck to jobsites effortlessly and its compact profile makes for simple storage. All FlexShaft machines are fully contained systems to help mitigate jobsite contamination.

▶ WALL-TO-WALL CLEAN

Powerful chain knockers expand to the size of the pipe and deliver wall-to-wall clean with astonishing speed. Designed with the perfect balance of flexibility and durability, cables can navigate tight turns and clean long runs.

▶ INSPECT WHILE CLEANING

Inspection cameras can remain in-pipe while drain cleaning. Simultaneous camera use delivers results you can see, providing efficiency on every job.

▶ ACCESSORIES

Get the most out of your FlexShaft machine with a variety of field-tested accessories. From standard, carbide tip and penetrating head chain knockers designed for clearing different blockages to sheath stock, your FlexShaft can be customized to your exact preferences.



See pages 42 and 43 for the full range of available chain knockers

DRAIN CLEANING FLEXSHAFT™ MACHINES



Drill not included

*K9-102 includes: Knocker, K9-102 1¼"
Knocker, K9-102 2"
Lubricant, FlexShaft 4 oz
Accessory, PVC 1¼" attachment
Accessory, PVC 1½" attachment
Tool, Hex Key 4 mm
Tool, Hex Key 3 mm
Sheath Stock
RIDGID Tool Bag
Manual Pack, K9-102 & K9-204

**K9-204 includes: Knocker, K9-204 2"
Knocker, K9-204 4"
Lubricant, FlexShaft 4 oz
Tool, Hex Key 4 mm
Tool, Hex Key 3 mm
Sheath Stock
RIDGID Tool Bag
Manual Pack, K9-102 & K9-204

K9-102 AND K9-204 NEW FLEXSHAFT MACHINES

CLEARs FROM 1¼" TO 4" (32 TO 102 MM) DRAIN LINES

These lightweight, compact machines deliver wall-to-wall clean in drain lines up to 70' (21 m). Specialized chain knockers are spun at high speeds by a cordless drill attached to the center drive shaft. The flexible cable is housed in durable nylon sheath to navigate tight turns and long runs, while a fully contained system means less jobsite mess.

► **SIMULTANEOUS CAMERA USE**

FlexShaft machines let you keep your camera in-pipe while you work

► **INCREASE PRODUCTIVITY**

Quick cleaning and easy to transport

► **ACCESSORIES**

See pages 42 and 43 for the full range of available chain knockers

CATALOG NO.	MODEL NO.	DESCRIPTION
64263	K9-102	FlexShaft, NA 1¼" - 2" (32 - 51 mm) Pipes Includes: ¼" × 50' (6 mm × 15 m) cable and kit*
64273	K9-204	FlexShaft, NA 2" - 4" (51 - 102 mm) Pipes Includes: ⅜" × 70' (8 mm × 21 m) cable and kit**

Accessories

CATALOG NO.	DESCRIPTION
64283	FlexShaft Knocker, ¼" (6 mm) cable, 1¼" - 1½" (32 - 38 mm) pipe, single chain, carbide tip
64288	FlexShaft Knocker, ¼" (6 mm) cable, 2" (51 mm) pipe, 2 chain, carbide tip
64293	FlexShaft Knocker, ¼" (6 mm) cable, 1¼" - 1½" (32 - 38 mm) pipe, single chain
64298	FlexShaft Knocker, ¼" (6 mm) cable, 2" (51 mm) pipe, 2 chain
64308	FlexShaft Knocker, ⅜" (8 mm) cable, 2" (51 mm) pipe, 2 chain, carbide tip
64313	FlexShaft Knocker, ⅜" (8 mm) cable, 3" (76 mm) pipe, 3 chain, carbide tip
64318	FlexShaft Knocker, ⅜" (8 mm) cable, 4" (102 mm) pipe, 3 chain, carbide tip
64323	FlexShaft Knocker, ⅜" (8 mm) cable, 2" (51 mm) pipe, 2 chain
64328	FlexShaft Knocker, ⅜" (8 mm) cable, 3" (76 mm) pipe, 3 chain
64333	FlexShaft Knocker, ⅜" (8 mm) cable, 4" (102 mm) pipe, 3 chain
66568	FlexShaft Knocker, ¼" (6 mm) cable, 1¼" - 1½" (32 - 38 mm) pipe, single chain, penetrating head
66573	FlexShaft Knocker, ¼" (6 mm) cable, 2" (51 mm) pipe, 2 chain, penetrating head
66578	FlexShaft Knocker, ⅜" (8 mm) cable, 2" (51 mm) pipe, 2 chain, penetrating head
66583	FlexShaft Knocker, ⅜" (8 mm) cable, 3" (76 mm) pipe, 3 chain, penetrating head
66588	FlexShaft Knocker, ⅜" (8 mm) cable, 4" (102 mm) pipe, 3 chain, penetrating head
64338	FlexShaft Lubricant, 8 oz
64343	FlexShaft ¼" (6 mm) Assembly, 50' (15 m) cable, sheath, couplings
64348	FlexShaft ⅜" (8 mm) Assembly, 70' (21 m) cable, sheath, couplings
64363	Modified Wallpipe 1¼" (32 mm)
64368	Modified Wallpipe 1½" (38 mm)
64643	FlexShaft ¼" (6 mm) sheath stock, 12" (30 cm)
64648	FlexShaft ⅜" (8 mm) sheath stock, 12" (30 cm)

NEW



K9-306 FLEXSHAFT MACHINE

CLEARs 3" TO 6" (76 TO 152 MM) PIPE UP TO 125' (38 M)

Get wall-to-wall clean in longer lines with the RIDGID® K9-306. Its 1.5 HP (1119 W) internal motor packs a major punch, fighting through tough clogs from drain to clean-out with one step of the foot switch. Powerful chain knockers expand to pipe size, delivering 125' (38 m) of total clean. Drill-less operation provides more efficient setup and cleanup, getting you in and out of jobs faster.

- ▶ **SIMULTANEOUS CAMERA USE**
Inspect while cleaning
- ▶ **INTERNAL POWER**
1.5 HP (1119 W) internal universal motor
- ▶ **INCREASED PRODUCTIVITY**
Quick cleaning and easy to transport
- ▶ **FULLY ENCLOSED SYSTEM**
Faster setup and cleanup
- ▶ **ACCESSORIES**
See pages 42 and 43 for the full range of available chain knockers

CATALOG NO.	MODEL NO.	DESCRIPTION
66593	K9-306	FlexShaft, K9-306 NA 3" - 6" (76 - 152 mm) Pipes Includes: 3/8" x 125' (10 mm x 38 m) cable and kit*

*K9-306 includes: Knecker, K9-306 4", Knecker, K9-306 6", Lubricant, FlexShaft 4 oz, Tool, Hex Key 4 mm, Tool, Hex Key 3 mm, Sheath Stock, RIDGID Tool Bag, Manual Pack, K9-306



Chain Knockers



Carbide Tipped Chain Knockers



Penetrating Head Chain Knockers

See pages 42 and 43 for the full range of available chain knockers

Accessories

CATALOG NO.	DESCRIPTION
66618	FlexShaft Knecker, 3/8" (10 mm) cable, 3" (76 mm) pipe, 3 chain
66623	FlexShaft Knecker, 3/8" (10 mm) cable, 4" (102 mm) pipe, 3 chain
66628	FlexShaft Knecker, 3/8" (10 mm) cable, 5" - 6" (127 - 152 mm) pipe, 3 chain
66633	FlexShaft Knecker, 3/8" (10 mm) cable, 3" (76 mm) pipe, 3 chain, carbide tip
66638	FlexShaft Knecker, 3/8" (10 mm) cable, 4" (102 mm) pipe, 3 chain, carbide tip
66643	FlexShaft Knecker, 3/8" (10 mm) cable, 5" - 6" (127 - 152 mm) pipe, 3 chain, carbide tip
66648	FlexShaft Knecker, 3/8" (10 mm) cable, 3" (76 mm) pipe, 3 chain, penetrating head
66653	FlexShaft Knecker, 3/8" (10 mm) cable, 4" (102 mm) pipe, 3 chain, penetrating head
66658	FlexShaft Knecker, 3/8" (10 mm) cable, 5" - 6" (127 - 152 mm) pipe, 3 chain, penetrating head
64338	RIDGID FlexShaft Lubricant, 8 oz
66663	FlexShaft 3/8" (10mm) Assembly, cable, sheath, couplings 125' (38 M)
66668	FlexShaft 3/8" (10mm) Sheath Stock, 12" (30 CM)

FIND THE RIGHT CHAIN KNOCKER FOR THE JOB TO GET WALL-TO-WALL CLEAN

Use the table below for recommended options based on blockage, pipe size and pipe type.



	K9-102 MACHINE						K9-204 MACHINE								
	Chain Knockers		Carbide Tipped Chain Knockers		Penetrating Head Chain Knockers		Chain Knockers			Carbide Tipped Chain Knockers			Penetrating Head Chain Knockers		
CATALOG NO.	64293	64298	64283	64288	66568	66573	64323	64328	64333	64308	64313	64318	66578	66583	66588
DESCRIPTION	K9-102 1½"	K9-102 2"	K9-102 1½" CARBIDE	K9-102 2" CARBIDE	K9-102 - 1½" PENETRATING HEAD	K9-102 - 2" PENETRATING HEAD	K9-204 2"	K9-204 3"	K9-204 4"	K9-204 2" CARBIDE	K9-204 3" CARBIDE	K9-204 4" CARBIDE	K9-204 - 2" PENETRATING HEAD	K9-204 - 3" PENETRATING HEAD	K9-204 - 4" PENETRATING HEAD
PIPE SIZE	1¼"-1½" (32-40 mm)	1½"-2" (40-50 mm)	1¼"-1½" (32-40 mm)	1½"-2" (40-50 mm)	1¼"-1½" (32-40 mm)	1½"-2" (40-50 mm)	2" (50 mm)	3" (75 mm)	4" (100 mm)	2" (50 mm)	3" (75 mm)	4" (100 mm)	2" (50 mm)	3" (75 mm)	4" (100 mm)
PIPE TYPE	COPPER	✓	✓	✓	✓	✓	✓	✓	✓	✓	✓	✓	✓	✓	✓
	GALVANIZED	✓	✓	✓	✓	✓	✓	✓	✓	✓	✓	✓	✓	✓	✓
	CAST IRON	✓	✓	✓	✓	✓	✓	✓	✓	✓	✓	✓	✓	✓	✓
	PVC	✓	✓					✓	✓	✓					
	ABS	✓	✓					✓	✓	✓					
	ORANGEBURG	✓	✓					✓	✓	✓					
	CORRUGATED	✓	✓					✓	✓	✓					
	CLAY	✓	✓					✓	✓	✓					
BLOCKAGE	GREASE	✓	✓	✓	✓	✓	✓	✓	✓	✓	✓	✓	✓	✓	✓
	SOFT BLOCKAGE	✓	✓	✓	✓	✓	✓	✓	✓	✓	✓	✓	✓	✓	✓
	SCALING			✓	✓	✓	✓			✓	✓	✓	✓	✓	✓
	LIGHT ROOTS			✓	✓	✓	✓			✓	✓	✓	✓	✓	✓
	WIPES					✓	✓						✓	✓	✓
	INCLUDED WITH KIT	✓	✓					✓	✓						

A QUICK GUIDE FOR PROPER DRILL SETUP AND CLEANING

1 THE RIGHT TOOL FOR THE JOB

FlexShaft machines require a cordless drill equipped with an adjustable clutch and a speed range between 1800 and 2500 RPM. Do not use with an impact driver or corded drill.

2 DIAL UP THE SPEED

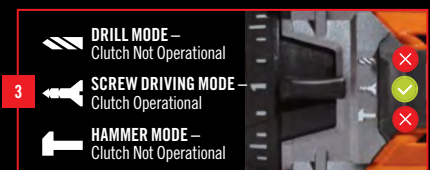
Set your drill to the highest speed – typically setting “2” or “3” is optimal.

3 MODE MATTERS

Always set your drill to **screw driving mode** to enable the adjustable clutch. The clutch is not operational in drill or hammer modes (common markings are shown).

4 MANAGE YOUR CLUTCH

Always start cleaning with the adjustable clutch set relatively low (~25% of the max range).



FLEX YOUR COVERAGE.

Use the table below for recommended options based on blockage, pipe size and pipe type.



K9-306 MACHINE

K9-306 MACHINE



Chain Knockers



Carbide Tipped Chain Knockers



Penetrating Head Chain Knockers

		66618	66623	66628	66633	66638	66643	66648	66653	66658
DESCRIPTION		K9-306 3"	K9-306 4"	K9-306 6"	K9-306 3" CARBIDE	K9-306 4" CARBIDE	K9-306 6" CARBIDE	K9-306 - 3" PENETRATING HEAD	K9-306 - 4" PENETRATING HEAD	K9-306 - 6" PENETRATING HEAD
PIPE SIZE		3" (76 mm)	4" (102 mm)	5"- 6" (127-152 mm)	3" (76 mm)	4" (102 mm)	5"- 6" (127-152 mm)	3" (76 mm)	4" (102 mm)	5"- 6" (127-152 mm)
PIPE TYPE	COPPER	☑	☑	☑	☑	☑	☑	☑	☑	☑
	GALVANIZED	☑	☑	☑	☑	☑	☑	☑	☑	☑
	CAST IRON	☑	☑	☑	☑	☑	☑	☑	☑	☑
	PVC	☑	☑	☑						
	ABS	☑	☑	☑						
	ORANGEBURG	☑	☑	☑						
	CORRUGATED	☑	☑	☑						
	CLAY	☑	☑	☑						
BLOCKAGE	GREASE	☑	☑	☑	☑	☑	☑	☑	☑	☑
	SOFT BLOCKAGE	☑	☑	☑	☑	☑	☑	☑	☑	☑
	SCALING				☑	☑	☑	☑	☑	☑
	ROOTS				☑	☑	☑	☑	☑	☑
	WIPES							☑	☑	☑
INCLUDED WITH KIT			☑	☑						



WATER JETTERS

RESTORE DRAINS TO FREE-FLOWING CAPACITY

RIDGID® water jetters fully clear grease and soft blockage obstructions in both residential and commercial applications. Available in both electric and gas models, these machines propel a flexible hose through drain lines to blast through sludge, soap and grease blockages with 1350 to 3000 psi. As you pull the hose back, it scrubs the line flushing debris away and restoring drains to their free-flowing capacity.

KEY FEATURES

- | GAS AND ELECTRIC MODELS AVAILABLE
- | 1350 TO 3000 PSI
- | BEST SOLUTION FOR SOFT BLOCKAGES

RIDGID

DRAIN CLEANING WATER JETTERS



KJ-1350



KJ-1750



KJ-2200



KJ-3100

APPLICATION CHART	SINK LINES			
	FLOOR/SECONDARY DRAINS			
	LATERALS			MAIN LINES
	LINE SIZE:	MAXIMUM PRESSURE:	FLOW:	
LINE SIZE:	1¼" - 4" (32 to 102 mm)	1¼" - 4" (32 to 102 mm)	1¼" - 6" (32 to 152 mm)	2" - 10" (51 to 254 mm)
MAXIMUM PRESSURE:	1350 psi (93 bar)	1750 psi (120 bar)	2200 psi (151 bar)	3000 psi (206 bar)
FLOW:	1.4 gpm (5.3 lpm)	1.4 gpm (5.3 lpm)	2.4 gpm (9.1 lpm)	5.5 gpm (20.8 lpm)
POWERED BY:	Electric 15 amp	Electric 20 amp	Gas Engine	Gas Engine
HORSEPOWER:	1.5 HP (1120 W)	2 HP (1491 W)	6.5 HP (4847 W)	16 HP (11931 W)
WEIGHT:	70 lb (32 kg)	75 lb (32 kg)	65 lb (30 kg)	272 lb (123 kg)

DRAIN CLEANING WATER JETTERS



KJ-1350 WATER JETTER

CLEAR 1¼" TO 4" (32 TO 102 MM) DRAIN LINES

The RIDGID® KJ-1350 water jetter effectively cleans lines with an actual working pressure of 1350 psi (93 bar) and a flow of 1.4 gpm (5.3 lpm). Easily navigate difficult bends or traps with the standard pulse action feature (the Model KJ-1350-2 has a second level of pulse). Its 1.5 HP (1120 W) motor draws a maximum of 14 amps and can run on most standard 115 V circuits. Purpose built with quality components, the KJ-1350 features a duplex pump with a corrosion-resistant forged brass head. The control valve lets you quickly and easily adjust water pressure.

▶ **POWERFUL PRESSURE**

Actual working pressure of 1350 psi (93 bar) and flow of 1.4 gpm (5.3 lpm)

▶ **ELECTRICAL REQUIREMENTS**

1.5 HP (1120 W) motor draws a maximum of 14 amps and can run on most standard 115 V circuits

▶ **EASY OPERATION**

Thrust propels the hose down the line

▶ **CLEAN BEYOND THE DRAIN**

Optional power washer package cleans cables, tools and heavily soiled equipment

CATALOG NO.	MODEL NO.	DESCRIPTION
62587	KJ-1350	KJ-1350 Standard Jetter with Pulse: H-21, H-22, and H-24 ¼" (3 mm) NPT Nozzles, ¼" × 25' (3 mm × 8 m) Sink Trap Hose, Nylon Storage Bag, Nozzle Cleaning Tool
62597	KJ-1350-C	Same as above with: H-10 Cart, ¼" × 100' (6 mm × 30 m) Trap Hose
63107	KJ-1350-2	KJ-1350 Jetter with Dual Pulse: H-21, H-22, and H-24 ¼" (3 mm) NPT Nozzles, ¼" × 50' (3 mm × 15 m) Sink Trap Hose, Nylon Storage Bag, Nozzle Cleaning Tool
63112	KJ-1350-2C	Same as above with: H-10 Cart, ¼" × 100' (6 mm × 30 m) Trap Hose



KJ-1750 WATER JETTER

CLEAR 1¼" TO 4" (32 TO 102 MM) DRAIN LINES

The RIDGID® KJ-1750 water jetter effectively cleans lines with an actual working pressure of 1750 psi (121 bar) and a flow of 1.4 gpm (5.3 lpm). Two levels of pulse are standard and let you easily navigate difficult bends or traps. Its 2 HP (1491 W) motor draws a maximum of 17 amps which requires a 20 amp, 115 V circuit. Purpose built with quality components, the KJ-1750 features a duplex pump with a corrosion-resistant, forged brass head. The control valve lets you quickly and easily adjust water pressure.

▶ **POWERFUL PRESSURE**

Actual working pressure of 1750 psi (121 bar) and flow of 1.4 gpm (5.3 lpm)

▶ **ELECTRICAL REQUIREMENTS**

2 HP (1491 W) motor draws a maximum of 17 amps which requires a 20 amp, 115 V circuit

▶ **EASY OPERATION**

Thrust propels the hose down the line

▶ **CLEAN BEYOND THE DRAIN**

Optional power washer package cleans cables, tools and heavily soiled equipment

CATALOG NO.	MODEL NO.	DESCRIPTION
62687	KJ-1750	KJ-1750 Jetter with Dual Pulse: H-41, H-42, and H-44 1/8" (3 mm) NPT Nozzles, H-51 and H-52 1/4" (6 mm) NPT Nozzles, 1/8" x 50' (3 mm x 15 m) Sink Trap Hose, Nylon Storage Bag, Nozzle Cleaning Tool
62697	KJ-1750-C	Same as above with: H-30 Cart, 1/2" x 110' (13 mm x 34 m) Jet Hose
67332	—	62687 with: H-10 Cart, 1/4" x 100' (6 mm x 30 m) Trap Hose

DRAIN CLEANING WATER JETTERS



KJ-2200 WATER JETTER

CLEAR 1¼" TO 6" (32 TO 152 MM) DRAIN LINES

The RIDGID® KJ-2200 water jetter effectively cleans lines with an actual working pressure of 2200 psi (150 bar) and a flow of 2.4 gpm (9 lpm). Activate the KJ-2200's pulse action to easily navigate difficult bends or traps. Its new and improved 6.5 HP (4847 W) recoil start gasoline engine starts easily every time and features: on/off switch, choke and throttle controls, and easy access oil fill and dip stick. Purpose built with quality components, the KJ-2200 features a triplex pump with a corrosion-resistant forged brass head. The control valve lets you quickly and easily adjust water pressure.

▶ **POWERFUL PRESSURE**

Actual working pressure of 2200 psi (150 bar) and flow of 2.4 gpm (9 lpm)

▶ **GAS ENGINE**

6.5 HP (4847 W) recoil start gasoline engine starts easily every time

▶ **EASY OPERATION**

Thrust propels the hose down the line

▶ **TOTAL CONTROL**

Includes FV-1 foot valve so you can control the jetting action at the drain while leaving the jetter outdoors

▶ **CLEAN BEYOND THE DRAIN**

Optional power washer package cleans cables, tools and heavily soiled equipment

CATALOG NO.	MODEL NO.	DESCRIPTION
63877	KJ-2200	KJ-2200 Jetter with Triple Pulse: H-61, H-62, and H-64 ¼" (3 mm) NPT Nozzles, H-71 and H-72 ¼" (6 mm) NPT Nozzles, ¾" × 75' (5 mm × 23 m) Trap Hose, FV-1 Foot Valve, Nozzle Cleaning Tool and H-1235 Wash Wand Hose ½" × 35' (13 mm × 11 m)
63882	KJ-2200-C	Same as above with: H-30 Cart and ¼" × 110' (6 mm × 34 m) Jet Hose



KJ-3100 WATER JETTER

CLEAR 2" TO 10" (51 TO 254 MM) DRAIN LINES

The RIDGID® Model KJ-3100 portable water jetter gives you 3000 psi (205 bar) actual working pressure to handle large commercial and industrial applications. With its removable hose reel, there is no need to purchase expensive portable hose reels. Standard packages come equipped to handle indoor and remote applications. Completely remove the hose reel to ease loading onto service trucks. Simply rotate the hose reel forward to gain full access to the engine's gas tank and air filter. The RIDGID KJ-3100 is one of the most maneuverable jetters on the market. The unit, on its unique two-wheeled cart, easily fits through standard size doors and can negotiate tight turns with the greatest of ease.



▶ **POWERFUL PRESSURE**

Actual working pressure of 3000 psi (205 bar) and flow of 5.5 gpm (21 lpm)

▶ **REMOVABLE HOSE REEL**

Eliminates the need to purchase expensive portable hose reels

▶ **SUPERIOR MANEUVERABILITY**

Unique two-wheeled cart easily fits through standard size doors

▶ **GAS ENGINE**

16 HP (11931 W) recoil start gasoline engine starts easily every time

▶ **CLEAN BEYOND THE DRAIN**

Power wash package and chemical injector system cleans cables, tools and heavily soiled equipment

CATALOG NO.	MODEL NO.	DESCRIPTION
37413	KJ-3100	KJ-3100 Jetter with Pulse, H-111 and H-112 ¼" (6 mm) NPT Nozzles, H-38 Hose Reel with ¾" × 200' (10 mm × 61 m) ID Jet Hose, ¾" × 50' (10 mm × 15 m) ID Jet/Wash Hose, FV-1 Foot Valve, Nozzle Cleaning Tool, HW-30 Wash Wand, Root Ranger Root Cutting Nozzle, HF-4 Quick Connect Hose



RR 3000 Nozzle
Catalog No. 16713

CAMERA REELS



THE INDUSTRY STANDARD FOR TOUGHNESS AND EASE OF USE

RIDGID® SeeSnake® camera reels are premier diagnostic systems that take pipe inspections to the next level. Offering unmatched reliability with exceptional in-pipe viewing, SeeSnake camera reels feature a variety of push cables that are stiff enough to push out long runs yet flexible enough to make tight turns. Rugged, small-diameter cameras feature powerful LEDs that illuminate the pipe's interior, providing crisp, clear in-pipe imaging.

KEY FEATURES

- | RUGGED LED LIGHTS FOR EXCEPTIONAL VIEWING
- | COMPATIBLE WITH ANY SEESNAKE MONITOR
- | SELF-LEVELING FOR UPRIGHT IMAGES

RIDGID

RIDGID® SEESNAKE®

SELECTING THE RIGHT CAMERA SYSTEM FOR YOU

The best decisions are made from an abundance of information and a thorough understanding of your options. Buying a RIDGID SeeSnake camera system is no different.

A camera's rated pipe capacity can be one of the first things customers look at when determining which system fits their needs. We define pipe capacity as the range of pipe sizes where a given SeeSnake system performs best. This means we rate where it can physically fit and where it can operate, both in terms of its ability to deliver a useful image that illuminates a pipe's interior and where it may be pushed to complete an inspection.

On the large side, our rating ends where we feel the cable has enough stiffness to push through a given diameter while supplying sufficient light to create a usable image of the pipe's interior. A camera can readily be used beyond its rated capacity, but the experience of pushing the cable will be more difficult and may yield less-satisfying results. High dynamic range (HDR) image sensors on TruSense® cameras illuminate many pipes that are wider than the rated pipe capacity, leaving push cable stiffness to be the limiting factor for those systems. More flexible cables navigate turns more readily, but the lack of stiffness of these cables limits the distance they can be pushed, even in straight runs. Stiffer push cables will push farther in straight runs but are more quickly limited when the pipe makes multiple turns.

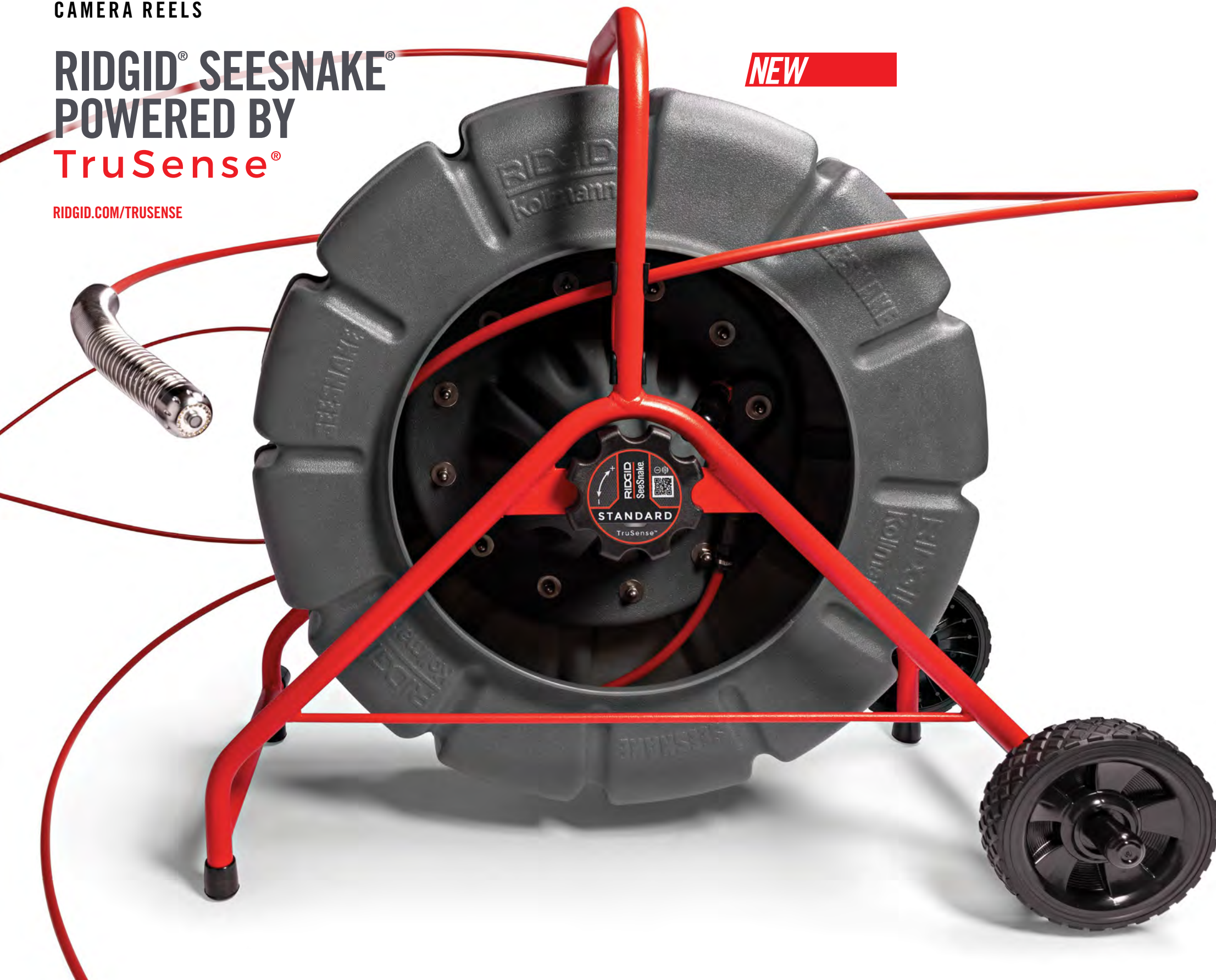
When choosing an inspection camera, it is important to match the expected job requirements with a camera system's attributes:



RIDGID® SEESNAKE® POWERED BY TruSense®

RIDGID.COM/TRUSENSE

NEW



THE FIRST TRUE DATA-ENABLED PLUMBING DIAGNOSTIC CAMERAS

RIDGID® SeeSnake® cameras with TruSense® technology bring powerful data capability to plumbing diagnostics. TruSense establishes a two-way datalink path between the camera head and a connected SeeSnake CSx series* Wi-Fi enabled monitor. With TruSense, advanced sensors on the camera head convey valuable information about the in-pipe environment.

HIGH DYNAMIC RANGE IMAGE SENSOR

SeeSnake cameras with TruSense technology include a high dynamic range (HDR) image sensor that takes the next leap forward in diagnostic imaging. A common challenge faced by diagnostic professionals is being able to see far down the pipe as well as the image just in front of the camera's lights. An HDR image sensor expands the camera's dynamic range, allowing a greater ratio of bright and dark areas to be displayed in the same image at the same time without reducing visibility. This means fewer blown-out areas and sections of the pipe that are too dark to see, offering superior clarity and detail.

TILTSENSE™

TiltSense is an on-camera inclinometer that is included on SeeSnake cameras with TruSense technology. The inclinometer measures the camera's angle. When connected to a SeeSnake CSx series monitor, the camera can convey the camera's degree of tilt on the monitor display – giving you a useful indicator of the pitch of the camera.

FEATURES

- ▶ Enables two-way data communication between the camera and a CSx series monitor
- ▶ High dynamic range image sensor provides bright, saturated images with improved detail, even in difficult lighting conditions
- ▶ TiltSense inclinometer lets you know camera's degree of tilt inside the pipe (when used with a CSx series monitor)
- ▶ Self-leveling camera models keep the image upright



Camera with TruSense



Camera without TruSense

* CSx series digital recording monitors include the RIDGID SeeSnake CS6x Versa, SeeSnake CS65x, and SeeSnake CS12x

NEW

RIDGID® SEESNAKE® STANDARD WITH TRUSENSE®

INSPECT 2" TO 12" (50 TO 300 MM) LINES UP TO 325' (99 M)

The RIDGID SeeSnake Standard has the stiffest push cable and is available in lengths up to 325' (99 m) – making it perfect for long runs, particularly in larger pipes with fewer turns. Now available with TruSense technology - including TiltSense™ inclinometer and an HDR image sensor – this camera delivers unmatched clarity and performance.

- ▶ **TOTAL COMPATIBILITY**
Can be used with TiltSense and HDR image sensor
- ▶ **HIGH-INTENSITY LED LIGHTS**
For exceptional viewing and long life
- ▶ **SELF-LEVELING CAMERA AVAILABLE**
Crisp, always upright in-pipe images
- ▶ **POWERFUL FLEXMITTER® SONDE**
Compatible with all RIDGID locators



CATALOG NO.	DESCRIPTION
63583	325' (99 m) Standard 35 mm SL TruSense
63588	325' (99 m) Standard 35 mm TruSense
63603	200' (61 m) Standard 35 mm SL TruSense
63613	200' (61 m) Standard 35 mm TruSense

Accessories

CATALOG NO.	DESCRIPTION
64497	75 mm Star Guide, 35 mm Camera, Pkg of 20
97852	85 mm Pipe Guide, 35 mm Camera, Pkg of 10
64502	150 mm Pipe Guide, 35 mm Camera, Pkg of 10
93387	Guide Hoop, 35 mm Camera, Pkg of 4
97832	75 mm Roller Dolly, up to 6" (152 mm) Pipe
17563	Spanner Wrench, 35 mm
66463	TruSense Camera Upgrade Kit, 35 mm, Self-leveling
66468	TruSense Camera Upgrade Kit, 35 mm, Fixed



RIDGID® SEESNAKE® MINI **NEW** WITH TRUSENSE®

**INSPECT 1½" TO 8" (38 TO 203 MM)
LINES UP TO 200' (61 M)**

A smaller version of the iconic RIDGID SeeSnake Standard system, the RIDGID SeeSnake Mini comes equipped with TruSense technology featuring TiltSense™ inclinometer and an HDR image sensor. The Mini features a moderately stiff push cable that strikes a good balance between inspecting long runs and navigating tight turns.

- ▶ **TOTAL COMPATIBILITY**
Can be used with TiltSense and HDR image sensor
- ▶ **HIGH-INTENSITY LED LIGHTS**
For exceptional viewing and long life
- ▶ **SELF-LEVELING CAMERA AVAILABLE**
Crisp, always upright in-pipe images
- ▶ **POWERFUL FLEXMITTER® SONDE**
Compatible with all RIDGID locators



CATALOG NO.	DESCRIPTION
63628	200' (61 m) Mini 30 mm SL TruSense
63633	200' (61 m) Mini 30 mm TruSense

Accessories

CATALOG NO.	DESCRIPTION
67312	101 mm Star Guide, 30 mm Camera, Pkg of 20
95507	75 mm Star Guide, 30 mm Camera, Pkg of 6
97462	Pipe Guide, 30 mm Camera, Pkg of 6
93392	Guide Hoop, 30 mm Camera, Pkg of 4
17558	Spanner Wrench, 30 mm
66473	TruSense Camera Upgrade Kit, 30 mm, Self-leveling
66478	TruSense Camera Upgrade Kit, 30 mm, Fixed



RIDGID® SEESNAKE® COMPACT C40 WITH TRUSENSE®

NEW

**INSPECTS 1½" TO 6" (38 TO 152 MM) LINES
UP TO 131' (40 M)**

The RIDGID SeeSnake Compact C40 camera reel offers fast, easy setup, and can take on diverse and demanding inspection conditions. Included TruSense technology features an HDR image sensor for superior in-pipe viewing and on-camera TiltSense™ inclinometer. The C40 is compatible with all SeeSnake monitors, and features an easy to use docking system for the RIDGID SeeSnake CS6x Versa® monitor. Its small diameter, flexible push cable makes it ideal for small/restricted branch lines with tight turns and short runs in main laterals.

- ▶ **QUICK-RELEASE DOCKING SYSTEM**
Create the optimal viewing angle with the CS6x Versa monitor
- ▶ **TRUSENSE TECHNOLOGY**
HDR image sensor offers bright, clear images, and TiltSense inclinometer provides angle of the camera head inside the pipe
- ▶ **SELF-LEVELING 25 MM CAMERA**
Crisp, always upright in-pipe images
- ▶ **POWERFUL 512 HZ FLEXMITTER® SONDE**
Easy to trace and compatible with all RIDGID locators



CATALOG NO.	DESCRIPTION
63668	Compact C40, 131' (40 m) Reel Only
63823	Compact C40 System with CS6x Versa Monitor
63828	Compact C40 System with CS6x Versa Monitor, Battery and Charger
66543	Compact C40 System with CSx Via
66548	Compact C40 System with CSx Via, Battery and Charger

Accessories

CATALOG NO.	DESCRIPTION
47793	36 mm Pipe Guide, 25 mm Camera, Pkg of 1
35338	45 mm Pipe Guide, 25 mm Camera, Pkg of 2
40598	60 mm Pipe Guide, 25 mm Camera, Pkg of 2
46708	85 mm Pipe Guide, 25 mm Camera, Pkg of 2
46713	125 mm Pipe Guide, 25 mm Camera, Pkg of 2
63868	Various Pipe Guides, 25 mm Camera Head
17553	Spanner Wrench, 25 mm

NEW

RIDGID® SEESNAKE® COMPACT M40 WITH TRUSENSE®

**INSPECTS 1½" TO 8" (38 TO 203 MM) LINES
UP TO 131' (40 M)**

Delivering big performance in a small package, the RIDGID SeeSnake Compact M40 camera reel is built to tackle a variety of demanding inspections. TruSense technology delivers valuable information about the in-pipe environment with an HDR image sensor and TiltSense™ inclinometer. Features easy setup with the RIDGID SeeSnake CS6x Versa® monitor that can be mounted in multiple positions, and is compatible with all SeeSnake monitors. Medium diameter, flexible push cable makes it ideal for longer runs in main and branch lines.



▶ **QUICK-RELEASE DOCKING SYSTEM**

Create the optimal viewing angle with the CS6x Versa monitor

▶ **TRUSENSE TECHNOLOGY**

HDR image sensor offers bright, clear images, and TiltSense inclinometer provides angle of the camera head inside the pipe

▶ **SELF-LEVELING 25 MM CAMERA**

Crisp, always upright in-pipe images

▶ **POWERFUL 512 HZ FLEXMITTER® SONDE**

Easy to trace and compatible with all RIDGID locators

CATALOG NO.	DESCRIPTION
63673	Compact M40, 131' (40 m) Reel Only
63813	Compact M40 System with CS6x Versa Monitor
63818	Compact M40 System with CS6x Versa Monitor, Battery and Charger
66553	Compact M40 System with CSx Via
66558	Compact M40 System with CSx Via, Battery and Charger

Accessories

CATALOG NO.	DESCRIPTION
47793	36 mm Pipe Guide, 25 mm Camera, Pkg of 1
35338	45 mm Pipe Guide, 25 mm Camera, Pkg of 2
40598	60 mm Pipe Guide, 25 mm Camera, Pkg of 2
46708	85 mm Pipe Guide, 25 mm Camera, Pkg of 2
46713	125 mm Pipe Guide, 25 mm Camera, Pkg of 2
63868	Various Pipe Guides, 25 mm Camera Head
17553	Spanner Wrench, 25 mm



RIGID® SEESNAKE® COMPACT2

**INSPECT 1½" TO 6" (38 TO 152 MM) LINES
UP TO 100' (30 M)**

The RIDGID SeeSnake Compact2 delivers superb image quality in a smaller package. Its docking system is compatible with the RIDGID SeeSnake CS6x Versa® monitor for fast, easy setup. The Compact2 includes a 100' (30 m) flexible push cable that fits in smaller diameter pipes and navigates turns with ease.

- ▶ **QUICK-RELEASE DOCKING SYSTEM**
For use with the CS6x Versa monitor, and compatible with all CSx series monitors
- ▶ **RUGGED METAL FRAME**
Provides a solid base for pushing and retrieving cable
- ▶ **SELF-LEVELING 25 MM CAMERA**
Crisp, always upright in-pipe images
- ▶ **POWERFUL FLEXMITTER® SONDE**
Compatible with all RIDGID locators

CATALOG NO.	DESCRIPTION
48093	SeeSnake Compact2 (Reel Only)
65098	SeeSnake Compact2 System with CS6x Versa Monitor
65103	SeeSnake Compact2 System with CS6x Versa Monitor, Battery and Charger
66533	Compact2 System with CSx Via
66538	Compact2 System with CSx Via, Battery and Charger



Accessories

CATALOG NO.	DESCRIPTION
47793	36 mm Pipe Guide, 25 mm Camera, Pkg of 1
35338	45 mm Pipe Guide, 25 mm Camera, Pkg of 2
40598	60 mm Pipe Guide, 25 mm Camera, Pkg of 2
46708	85 mm Pipe Guide, 25 mm Camera, Pkg of 2
46713	125 mm Pipe Guide, 25 mm Camera, Pkg of 2
63868	Various Pipe Guides, 25 mm Camera Head
17553	Spanner Wrench, 25 mm Handleless
45363	AC Battery Adapter
44693	18 V Advanced Lithium 2.0 Ah Battery
44698	18 V Advanced Lithium 4.0 Ah Battery
43458	18 V Advanced Lithium Battery Charger



RIDGID® SEESNAKE® MICROREEL™

**INSPECTS 1½" TO 3" OR 4" (40 TO 75 OR 100 MM)*
LINES UP TO 100' (30 M)**

The RIDGID SeeSnake microReel is a budget-friendly option for pipe inspection, particularly for those that do not require a self-leveling camera head. The microReel passes 90-degree bends in most 2" (51 mm) lines. Lightweight and portable, the microReel is compatible with the micro CA-350 and all SeeSnake monitors.

- ▶ **EASY TRANSPORT**
Lightweight and compact
- ▶ **REMOVABLE DRUM**
Can be swapped with microDrain™ and nanoReel™ drums
- ▶ **GUIDE INCLUDED**
For better in-pipe imaging

* 3" (76 mm) when used with a micro CA-350 inspection camera. 4" (102 mm) when used with a SeeSnake monitor.

microReel L100/L100C for SeeSnake Monitor

CATALOG NO.	DESCRIPTION
35133	microReel L100 (SeeSnake Monitor) Sonde (NTSC)
35183	microReel L100C (SeeSnake Monitor) Sonde & Counter (NTSC)

microReel L100/L100C for micro CA-350

CATALOG NO.	DESCRIPTION
40798	microReel L100/micro CA-350 System (NTSC)
40808	microReel L100C/micro CA-350 System (NTSC)
35143	microReel L100 (micro CA-350) Sonde (NTSC)
35188	microReel L100C (micro CA-350) Sonde & Counter (NTSC)

Accessories

CATALOG NO.	DESCRIPTION
35338	45 mm Pipe Guide, 25 mm Camera, Pkg of 2
40598	60 mm Pipe Guide, 25 mm Camera, Pkg of 2
17553	Spanner Wrench, 25 mm Handleless
33108	Interconnect Cable for SeeSnake Monitor
33113	Interconnect Cable CA-350
55898	micro CA-350 Inspection Camera
34623	Drum, microReel L100 115V
35243	Drum, microReel L100C 115V

DIAGNOSTICS CAMERA REELS



RIDGID® SEESNAKE® MICRODRAIN™

**INSPECT 1¼" TO 3" OR 4" (32 TO 76 OR 102 MM)*
LINES UP TO 65' (20 M)**

The RIDGID SeeSnake microDrain is a specialty system built for small-diameter inspections like toilet traps, sinks and P-traps. Lightweight and compact, the microDrain is roughly half the size of other inspection systems and uses an extremely flexible cable to effectively navigate tight turns.

- ▶ **EASY TRANSPORT**
Lightweight and portable
- ▶ **REMOVABLE DRUM**
Can be swapped with microReel™ and nanoReel™ drums
- ▶ **GUIDE INCLUDED**
For better in-pipe imaging

* 3" (76 mm) when used with a micro CA-350 inspection camera. 4" (102 mm) when used with a SeeSnake monitor.



CATALOG NO.	DESCRIPTION
37468	microDrain D65S Reel (SeeSnake) (NTSC)
37473	microDrain D65S Reel (micro CA-350) (NTSC)
40788	microDrain D65S/micro CA-350 System (SeeSnake) (NTSC)

Accessories

CATALOG NO.	DESCRIPTION
34318	42 mm Pipe Guide, 22 mm Camera, Pkg of 2
40593	36 mm Pipe Guide, 22 mm Camera, Pkg of 2
53088	Spanner Wrench, 22 mm Handleless
33108	Interconnect Cable for SeeSnake Monitor
33113	Interconnect Cable for micro CA-350
55898	micro CA-350 Inspection Camera
37483	Drum, microDrain D65S 115V



RIGID® SEESNAKE® NANOREEL™

INSPECTS 3/4" TO 2" (19 TO 51 MM) LINES UP TO 82' (25 M)

The RIDGID SeeSnake nanoReel is perfect for long-run, small diameter applications. Previously only accessible with bore scopes, the nanoReel system is a great option for inspecting boiler tubes, supply lines, sprinkler systems and a wide array of specialty applications. It passes 90-degree bends in most 1-3/16" (30 mm) lines.

- ▶ **COMPACT SIZE**
Stores easily on a truck
- ▶ **REMOVABLE DRUM**
Can be swapped with microDrain™ and microReel™ drums
- ▶ **GUIDE INCLUDED**
For better in-pipe imaging



CATALOG NO.	DESCRIPTION
40008	nanoReel N85S (SeeSnake) (NTSC)
39998	nanoReel N85S (micro CA-350) (NTSC)
40818	nanoReel N85S/micro CA-350 System (NTSC)

Accessories

CATALOG NO.	DESCRIPTION
42778	30mm and 25mm Pipe Guide Set, 16mm Camera Head, Pkg of 2
40443	Drum, nanoReel N85S NTSC
55898	micro CA-350 Inspection Camera
33108	Interconnect Cable for SeeSnake Monitor
33113	Interconnect Cable for micro CA-350



DIAGNOSTICS CAMERA REELS



rM200B D2B Drum
Catalog No. 47538



rM200 D2A Drum
Catalog No. 47548



RIDGID® SEESNAKE® RM200 MAX

**INSPECT 1½" TO 8" (38 TO 203 MM)
LINES UP TO 200' (61 M)**

The stow bin and transport system makes the RIDGID SeeSnake rM200 Max camera system one of the most convenient reels on the market. The rM200 D2A configuration uses a moderately stiff 200' (61 m) push cable that provides a good compromise between cable stiffness and ability to navigate turns in the pipe. The rM200 D2B includes 165' (50 m) of our stiffest push cable, coupled with a dual nested spring to navigate tight corners that are not usually passable with such a stiff cable.

- ▶ **INTERCHANGEABLE DRUM SYSTEM**
For on-the-job flexibility
- ▶ **BUILT-IN DOCKING SYSTEM**
For use with CS12x and CS65x monitors. Reels compatible with CS6x Versa® monitor
- ▶ **ACCESSORIES INCLUDE**
Pipe guides for better in-pipe imaging and a stow bin for storing tools

CATALOG NO.	DESCRIPTION
42348	Reel, SeeSnake MAX rM200A w/D2A Drum
47528	Reel, SeeSnake MAX rM200B w/D2B Drum

Accessories

CATALOG NO.	DESCRIPTION
47793	36 mm Pipe Guide, 25 mm Camera, Pkg of 1
35338	45 mm Pipe Guide, 25 mm Camera, Pkg of 2
40598	60 mm Pipe Guide, 25 mm Camera, Pkg of 2
46708	85 mm Pipe Guide, 25 mm Camera, Pkg of 2
46713	125 mm Pipe Guide, 25 mm Camera, Pkg of 2
17553	Spanner Wrench, 25 mm
44038	rM200 Stow Bins
47548	Drum, rM200 D2A NTSC
47538	Drum, rM200 D2B NTSC

SIMILAR APPLICATIONS: SYSTEM DIFFERENCES

NANOREEL™ AND MICRODRAIN™ — SPECIALTY SMALL LINES, HIGH FLEXIBILITY



nanoReel

- Ultra Flex Push Cable
- 15 mm
- 82' (25 m)
- Integrated Sonde



microDrain

- High Flex Push Cable
- 22 mm
- 65' (20 m)
- Integrated Sonde

MICROREEL™, COMPACT2 AND COMPACT C40 — MID-SIZE PIPES, MODERATE FLEXIBILITY



microReel

- Mid Flex Push Cable
- 25 mm
- 100' (30 m)
- Integrated Sonde



Compact2

- Mid Flex Push Cable
- 25 mm Self Leveling
- 100' (30 m)
- Flexmitter® Sonde



COMPACT C40
with TruSense®

- Mid Flex Push Cable
- 25 mm HDR Self-Leveling
- 131' (40 m)
- Flexmitter Sonde
- TiltSense™

COMPACT M40, RM200 D2A AND SEESNAKE® MINI — MID-SIZE PIPES, MODERATE/STIFF FLEXIBILITY



COMPACT M40
with TruSense

- Mid-Stiff Flex Push Cable
- 25 mm HDR Self-Leveling
- 131' (40 m)
- Flexmitter Sonde
- TiltSense



rM200 D2A

- Mid-Stiff Flex Push Cable
- 25 mm Self-Leveling
- 200' (61 m)
- Flexmitter Sonde



MINI
with TruSense

- Mid-Stiff Flex Push Cable
- 30 mm HDR Self-Leveling
- 200' (61 m)
- Flexmitter Sonde
- TiltSense

RM200 D2B AND SEESNAKE STANDARD — LONG RUNS, LARGE PIPES, STIFFEST



rM200 D2B

- Stiff Push Cable
- 165' (50 m)
- Flexmitter Sonde



STANDARD
with TruSense

- Stiff Push Cable
- 35 mm HDR Self-Leveling
- 200'/325' (61/99 m)
- Flexmitter Sonde
- TiltSense



DIGITAL REPORTING MONITORS

TOTALLY CONNECTED.

The entire line of RIDGID® SeeSnake® digital reporting monitors comes equipped with Wi-Fi connectivity. Stream inspections to your iOS® or Android™ device with the free HQx® Live companion app. Every RIDGID SeeSnake monitor integrates seamlessly with our SeeSnake camera reels.

KEY FEATURES

- | WI-FI CONNECTIVITY — STREAM TO A SECOND SCREEN
- | SMARTER REPORTING — GENERATE DETAILED REPORTS IN THE FIELD
- | SEAMLESS INTEGRATION — COMPATIBLE WITH ALL RIDGID SEESNAKE REELS

NEW

RIDGID® SEESNAKE® CS6X VERSA® REPORTING MONITOR

VERSATILE PIVOTING FRAME ALLOWS FOR ON-SITE EASE OF USE WITH FLEXIBLE PLACEMENT

The RIDGID SeeSnake CS6x Versa is an ergonomic, all-in-one solution for capturing media and delivering inspection results to your customers. The CS6x Versa easily docks onto Compact series reels and features multiple mounting positions and an adjustable kickstand to suit jobsite conditions. A 5.7" (145 mm) daylight viewable display provides a crisp, clear in-pipe image. The CS6x Versa supports the use of TruSense® features on SeeSnake camera reels with TruSense technology.

- ▶ **ON-SITE FLEXIBILITY**
Dock on Compact series camera reels, or use free standing with all RIDGID camera reels
- ▶ **ADJUSTABLE MONITOR**
Rotate the kickstand and mounting frame for optimal inspection viewing
- ▶ **ENHANCED CONNECTIVITY**
Integrated Wi-Fi lets you stream or record inspections to an iOS® or Android™ device with the HQx® Live app, or to a Windows-powered device with HQ software for Windows
- ▶ **HIGH-QUALITY IMAGE**
Daylight display with glare reduction provides a clear view of the in-pipe image



CATALOG NO.	DESCRIPTION
64943	CS6x Versa Monitor
64968	System, CS6x Versa w/2 Batteries and Charger
45363	AC Battery Adapter
44693	18 V Advanced Lithium 2.0 Ah Battery
44698	18 V Advanced Lithium 4.0 Ah Battery
43458	18 V Advanced Lithium Battery Charger



CS6x Versa docks on all Compact series reels for easy transport and all-in-one workflow.

*Download the HQx Live App From



DIAGNOSTICS

DIGITAL REPORTING MONITORS



SeeSnake rM200 with CS65x docked for easy transport.

RIDGID® SEESNAKE® CS65X DIGITAL REPORTING MONITOR

INTERNAL SOLID STATE DRIVE LETS YOU STORE IMAGES AND VIDEOS FROM MULTIPLE JOBS

The RIDGID SeeSnake CS65x digital reporting monitor makes reporting easy. Directly capture inspection media on up to two USB drives as well as the CS65x's internal storage. The water-resistant, built-in keyboard and on-board reporting software let you enhance captured media with overlaying notes and customer information right from the job site.

▶ **WI-FI COMPATIBILITY**

Lets you stream or record inspections to an iOS® or Android™ device with the HQx® Live app



HQx Live App*

▶ **USB PORTS**

For easy delivery of multiple copies of an inspection

▶ **INTERNAL GPS**

Geotag media with positional information when available

▶ **INTERNAL STORAGE**

Internal solid state drive offers plenty of storage

CATALOG NO.	DESCRIPTION
54363	CS65x Digital Reporting Monitor
55978	CS65x w/2 Batteries and 1 Charger
45363	AC Battery Adapter
44693	18 V Advanced Lithium 2.0 Ah Battery
44698	18 V Advanced Lithium 4.0 Ah Battery
43458	18 V Advanced Lithium Battery Charger



*Download the HQx Live App From



RIDGID® SEESNAKE® CS12X DIGITAL REPORTING MONITOR

**LARGEST SCREEN. LONGEST BATTERY LIFE.
HIGHEST RESOLUTION.**

The RIDGID SeeSnake CS12x monitor features dual battery power for maximum runtime on the job. Its 12.1" (307 mm) screen with a 1024 × 768 resolution delivers a high-contrast display that is still crisp and clear in the daylight. The CS12x comes equipped with our most powerful processor for fast start-up time and high-speed performance.

► **ENHANCED CONNECTIVITY**

Integrated Wi-Fi lets you stream or record inspections to an iOS® or Android™ device with the HQx® Live app



HQx Live App*

► **DUAL BATTERY POWER**

Two batteries can be installed for maximum runtime

► **POWERFUL PROCESSOR**

Faster start-up and performance

► **LARGE 12.1" (307 MM) DISPLAY**

With a crisp, clear 1024 × 768 resolution



CATALOG NO.	DESCRIPTION
57278	CS12x Digital Reporting Monitor
57288	CS12x Monitor w/2 Batteries and 1 Charger
45363	AC Battery Adapter
44693	18 V Advanced Lithium 2.0 Ah Battery
44698	18 V Advanced Lithium 4.0 Ah Battery
43458	18 V Advanced Lithium Battery Charger



*Download the HQx Live App From



DIAGNOSTICS

DIGITAL REPORTING MONITORS



RIDGID® SEESNAKE® CSX VIA™

NEW

The RIDGID SeeSnake CSx Via is a flexible, bring-your-own-screen solution, providing a convenient means to stream, capture, and share superior inspection images using an iOS®, Android™, or Windows device. The CSx Via utilizes the free HQx® Live app to remotely control the camera functions and features, such as the distance counter and the sonde. CSx Via is also compatible with TruSense® SeeSnake systems and will enable TruSense features in the app.



▶ **PURPOSE BUILT DESIGN**

Provides superior durability and protection

▶ **CONVENIENCE AND FLEXIBILITY**

Interchangeable across multiple reels through the interconnect cable port

▶ **RELIABLE CONNECTIVITY**

Between the CSx Via and the mobile device for enhanced productivity with the HQx Live app or HQ software for Windows

▶ **RAPID COMMUNICATION**

Instantly email, text or upload photos or videos to customers or colleagues in real time, directly from the job site

▶ **MULTI-REEL COMPATIBILITY**

Compatible with the RIDGID SeeSnake microDrain™, microReel™, nanoReel™, Compact Series reels and rM Series reels

CATALOG NO.	DESCRIPTION
66523	CSx Via Monitor-Less Wi-Fi Hub

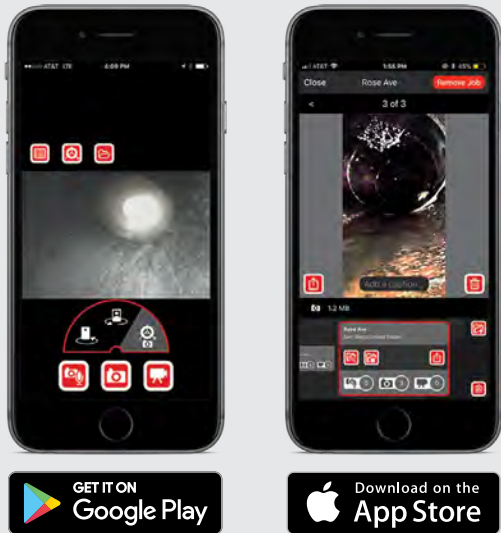
*Download the HQx Live App From



RIDGID SEESNAKE HQX DOCK™

The RIDGID SeeSnake HQx Dock is designed to deliver a flexible, convenient way to mount your tablet when using the SeeSnake HQx Live app. Featuring a spring-loaded tablet holder, double ball and socket arm, and pivoting kickstand, the HQx Dock can hold most tablets and is adjustable for optimal viewing at the jobsite. Use as a free-standing unit or mount onto any RIDGID SeeSnake Compact Series reels for fast, easy setup.

CATALOG NO.	DESCRIPTION
67363	HQx Dock w/Spring Loaded Holder



* Download the HQX Live App and RIDGIDConnect App From Google Play or the App Store

** Messaging and data rates may apply. Some Android devices may not be able to send and receive data over a cellular network while connected to a CSx monitor over Wi-Fi.

iOS is a trademark or registered trademark of Cisco in the U.S. and other countries and is used under license. Android is a trademark of Google LLC.



HQx Live App*

RIDGID® SEESNAKE® HQX® LIVE DIGITAL INSPECTION SOFTWARE

HQx Live is a free app that works with your SeeSnake CSx series Wi-Fi enabled monitor to share inspections with your customers. Available on iOS® and Android™ devices, HQx Live provides second screen flexibility, allowing you to stream live video directly to a mobile device. You can also capture and share photos, PhotoTalk™ media, and video.

MONITOR AND RECORD

- ▶ Turn on the monitor's built-in Wi-Fi to quickly connect to an iOS or Android device
- ▶ Stream inspection footage directly on a connected mobile device
- ▶ Capture photos, video, and PhotoTalk media, and quickly share over a cellular connection**
- ▶ Open the Job Gallery to easily view, edit, and manage jobs and inspection media
- ▶ Quickly annotate media with shareable captions
- ▶ Email, text, or upload inspection media through a variety of platforms, including YouTube™ (Google account required)
- ▶ Remotely control camera and monitor functions, such as camera brightness and the sonde
- ▶ Keep your SeeSnake CSx series monitor updated with wireless over-the-air updating

RIDGIDCONNECT™ ONLINE BUSINESS TOOL

RIDGIDConnect is the online solution that streamlines your reporting process, integrates digital media and files into a hosted archive environment, and makes professional reports that you can share with anyone.



RIDGIDConnect App*

RIDGIDCONNECT ALLOWS YOU TO:

- ▶ Create job reports for one or many to see
- ▶ Associate any type of digital file or media with a report to share
- ▶ Tag your media for reference and quick lookup
- ▶ Edit video, extract frames as images and add image mark-ups to tell the story
- ▶ Add bookmarks to videos to direct viewers to areas of interest
- ▶ Control access to your information by expiration date or total number of views
- ▶ Manage your customer list and associate geotags with provided addresses
- ▶ Choose QuickSend to upload and share the report all in one step
- ▶ Desktop application to compress media prior to upload
- ▶ Post level videos to compensate for camera heads that are not self-leveling
- ▶ Keep company-only notes about jobs and customers to help recall service information
- ▶ Schedule jobs, set reminders and dispatch work within your company
- ▶ Enable your customers to upload media to a report so you can understand the issue before arriving on site
- ▶ Seamlessly integrate job reports from SeeSnake HQx Live
- ▶ Have daily backups and 24/7 access via web browser to all your information



The RIDGIDConnect site is full of application ideas as well as screen casts and videos to help you quickly get started. Register for a Basic or higher level account to share all types of media or choose an Express account to share image-only reports. Visit www.ridgidconnect.com to get started.



HAND-HELD INSPECTION

ELIMINATE THE GUESSWORK

RIDGID® hand-held inspection cameras reduce the amount of time it takes to detect and diagnose hard-to-reach problems. Using a camera and light source attached to a flexible cable, these cameras send live images back to a high visibility digital LCD display.

KEY FEATURES

- | COLOR LCD SCREEN
- | LED LIGHTING WITH ADJUSTABLE BRIGHTNESS
- | ERGONOMIC PISTOL GRIP DESIGN

RIDGID



RIDGID® MICRO CA-25 INSPECTION CAMERA

PERFECT FOR BASIC AND SHORT-RANGE INSPECTION JOBS

The RIDGID micro CA-25 features a 17 mm aluminum imager head with four ultra-bright LED lights, bringing superior image quality to its 2.7" Color LCD Screen. It also features Video Out for transferring live images to external devices and 180° Digital Image Rotation for getting upright images.

- ▶ **COLOR PICTURE**
2.7" (69 mm) Color LCD screen
- ▶ **VIDEO OUT**
Transfer live images to external devices
- ▶ **UPRIGHT IMAGES**
Digital images can be rotated 180 degrees

CATALOG NO.	DESCRIPTION
40043	micro CA-25 Inspection Camera





RIDGID® MICRO CA-150 INSPECTION CAMERA

CAPTURE UP TO 20 STILL IMAGES FOR PLAYBACK ON SCREEN LATER

The RIDGID micro CA-150 inspection camera allows you to perform more detailed visual inspections in even harder-to-reach areas. Its ergonomic one-handed grip gives you steady control while four bright LED lights on a waterproof camera head help you diagnose the problem. The micro CA-150 has a large 3.5" color display for clear viewing.

- ▶ **COLOR PICTURE**
3.5" (89 mm) color display
- ▶ **WATERPROOF CAMERA**
Illuminated by four bright LED lights
- ▶ **PLAYBACK LATER**
Capture up to 20 still images for playback



CATALOG NO.	DESCRIPTION
36848	micro CA-150 Inspection Camera

Accessories

CATALOG NO.	DESCRIPTION
37098	6 mm Imager with 1 m Cable
37093	6 mm Imager with 4 m Cable
37108	3' (1 m) Cable Extension
37113	6' (2 m) Cable Extension

RIDGID® MICRO CA-350 INSPECTION CAMERA

12 V RECHARGEABLE LITHIUM-ION BATTERY FOR EXTENDED INSPECTIONS

The RIDGID micro CA-350 inspection camera is great for identifying leaks or other issues behind walls and in hard to reach areas. The 12 V rechargeable Lithium-Ion battery gives you longer runtime for extended inspections. Enhanced features like image rotation and digital zoom make it easier to diagnose potential problems.

- ▶ **LONGER RUN TIME**
12 V rechargeable Lithium-Ion battery for extended inspections
- ▶ **COLOR PICTURE**
3.5" (89 mm) color display
- ▶ **WATERPROOF CAMERA**
Illuminated by four bright LED lights
- ▶ **ENHANCED FEATURES**
Image rotation and digital zoom



CATALOG NO.	DESCRIPTION
55898	micro CA-350 Inspection Camera

Included: micro CA-350 with 17 mm imager, battery, charger, USB cable, hook, magnet and mirror accessories, RCA cable, AC adapter, headset with microphone, 8GB SD card.

Accessories

CATALOG NO.	DESCRIPTION
37098	6 mm Imager with 1 m Cable
37093	6 mm Imager with 4 m Cable
37108	3' (1 m) Cable Extension
37113	6' (2 m) Cable Extension

Compatible Camera Reels

CATALOG NO.	DESCRIPTION
39998	nanoReel® N85S (micro CA-350) NTSC
37473	microDrain® D65S Reel (micro CA-350) NTSC
35143	microReel® L100 (micro CA-350) Sonde NTSC



UTILITY LOCATING



FIND IT FASTER.

RIDGID® utility locators feature an easy-to-use visual mapping display that allows you to locate utility lines and sondes or beacons with confidence. These locators can be used with RIDGID SeeSnake® cameras equipped with sonde transmitters to find the camera head during an inspection. They can also be used with a line transmitter to find buried utilities.

KEY FEATURES

- FIND SONDES OR BEACONS UNDERGROUND
- EASY TO USE VISUAL MAPPING DISPLAY
- INDUCE A SIGNAL TO LOCATE UTILITIES

RIDGID

UTILITY LOCATING EQUIPMENT

RIDGID® SEEKTECH® AND NAVITRACK® LOCATING RECEIVERS

RIDGID locating receivers give users an accurate and instantly intuitive way to locate sondes and trace utility lines. Powered by an omnidirectional antenna system and real-time signal processing, RIDGID receivers provide an easy-to-use visual mapping display that allows you to locate with confidence. Use with a SeeSnake® camera equipped with a sonde transmitter to locate the camera head during an inspection, or use with a line transmitter to find buried utilities.



SeekTech SR-60



SeekTech SR-24



SeekTech SR-20



NaviTrack Scout®

CATALOG NO.	22163	44473	21893	19238
OMNIDIRECTIONAL MAPPING DISPLAY	Yes	Yes	Yes	Yes
USER-DEFINED FREQUENCIES	Yes - All Available	Yes up to 35 kHz	Yes up to 35 kHz	No
NUMBER OF ACTIVE LINE TRACE FREQUENCIES	All up to 490 kHz	All up to 35 kHz	All up to 35 kHz	3
SONDE FREQUENCIES	All up to 490 kHz	All up to 35 kHz	All up to 35 kHz	4
PASSIVE SEARCH	OmniSeek (searches all passive bands at once)	OmniSeek (searches all passive bands at once)	OmniSeek (searches all passive bands at once)	50/60 Hz
DEPTH	Continuous	Continuous	Continuous	Semi-Continuous
WEIGHT W/BATTERIES	5.4 lb / 2.5 kg	4.1 lb / 1.9 kg	4 lb / 1.8 kg	3 lb / 1.4 kg
BLUETOOTH®	No	Yes	No	No
POWER SOURCE	4 C-cell	4 C-cell	4 C-cell	4 C-cell

RIDGID SEEKTECH LINE TRANSMITTERS

Accurately trace buried utilities by applying a signal with a RIDGID SeekTech ST series transmitter. All transmitters have multiple frequency options and are capable of applying a signal by direct connection and induction. Powerful 5 W and 10 W transmitters apply a strong signal for easy locates.



SeekTech ST-33Q+



SeekTech ST-510



SeekTech ST-305



SeekTech ST-305R

CATALOG NO.	49338	21903	21898	50798
MAX POWER OUTPUT	10 W	10 W	5 W	5 W
DIGITAL DISPLAY	Yes	Yes	No	No
LINE TRACE FREQUENCIES	All up to 490 kHz	Selections up to 262 kHz	4	4
INDUCTIVE FREQUENCIES	8 kHz or 33 kHz	4	3	3
SIMULTANEOUS TRANSMIT 2 LINE FREQUENCIES	No	No	Yes	Yes
WEIGHT W/ BATTERIES	11.8 lb / 5.4 kg (18 V) 12.5 lb / 5.7 kg (D-cell)	7.9 lb / 3.6 kg	2.9 lb / 1.3 kg	3.1 lb / 1.4 kg
BLUETOOTH®	Yes	No	No	No
POWER SOURCE	18 V/6 D-cell/External*	8 D-cell/External*	6 C-cell*	18 V/6 C-cell*

*External power source is supplied by user

RIDGID SEEKTECH 18 V ADAPTOR

Attach the adaptor to the SeekTech SR-20, SR-24, or NaviTrack Scout to enable use with a RIDGID 18 V battery. The adaptor easily fits into the alkaline battery cavity, providing a flexible power option.

CATALOG NO.	DESCRIPTION
66503	Locator 18 V Adaptor
66518	Locator 18 V Adaptor with 2 Batteries and Charger





RIDGID® SEEKTECH® SR-60 LOCATOR

TRACE ANY FREQUENCY FROM 10 HZ TO 490 KHZ

The RIDGID SeekTech SR-60 has the largest display and widest frequency range for quickly and easily locating underground cables and pipes. The SR-60 locator quickly and confidently locates under tough conditions including: poor conductors, poor soil conditions and poor grounding.

- ▶ **LOCATING VERSATILITY**
Trace any frequency from 10 Hz to 490 kHz
- ▶ **MAPPING DISPLAY**
Shows the utility's estimated position, direction and depth
- ▶ **OMNIDIRECTIONAL ANTENNA**
Captures the complete signal field for greater speed and accuracy
- ▶ **GRADIENT ANTENNAS**
Deliver left/right guidance and help evaluate signal shape

CATALOG NO.	DESCRIPTION
22163	SeekTech SR-60 Line Locator w/batteries



Accessories

CATALOG NO.	DESCRIPTION
20973	SeekTech 4" (100 mm) Inductive Signal Clamp
21898	SeekTech ST-305 Transmitter (5 W)
50798	SeekTech ST-305R Transmitter (5 W; 18 V Compatible)
29798	SR-60 Replacement Case





RIDGID® SEEKTECH® SR-24 LOCATOR WITH BLUETOOTH® AND GPS

TRACE ANY FREQUENCY FROM 10 HZ TO 35 KHZ

The RIDGID SeekTech SR-24 is a precision utility locating receiver with integrated GPS and Bluetooth technology. Its omnidirectional antennas capture the complete signal field, making it easy to acquire the signal and trace its path. The receiver maps the utility's position and direction on its display for an intuitive locating experience. Audio and visual warnings notify the operator if the shape of the signal field is being distorted so action can be taken to avoid mismarking the utility's position.

- ▶ **OMNIDIRECTIONAL ANTENNAS**
Capture the complete signal field for greater speed and accuracy
- ▶ **BUILT-IN GPS**
Track location coordinates for mapping and GIS applications
- ▶ **RIDGIDTRAX**
Stream data to iOS® and Android™ phones and tablets or high-precision GPS instruments
- ▶ **LARGE DISPLAY**
Shows the utility's estimated position, direction and depth

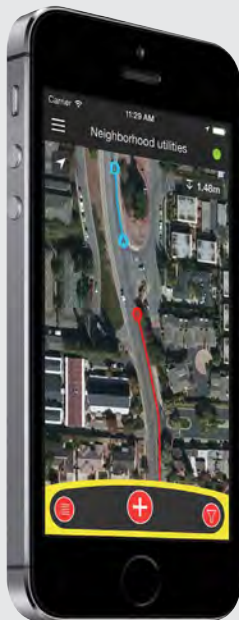


RIDGIDTrax App*

CATALOG NO.	DESCRIPTION
44473	SeekTech SR-24 Line Locator w/Bluetooth and GPS
66513	SeekTech SR-24 Line Locator w/18 V Adaptor and Case

Accessories

CATALOG NO.	DESCRIPTION
20973	SeekTech 4" (100 mm) Inductive Signal Clamp
21898	SeekTech ST-305 Transmitter (5 W)
22173	SR-20/SR-24 Replacement Case (C-cell Batteries)
50798	SeekTech ST-305 Transmitter(5 W; 18 V Compatible)
66503	Locator 18 V Adaptor
66518	Locator 18 V Adaptor Kit with 2 Batteries and Charger
66498	SR-20/SR-24 Replacement Case (18 V Battery)



*Download the RIDGIDTrax App From





RIDGID® SEEKTECH® SR-20 LOCATOR

TRACE ANY FREQUENCY FROM 10 HZ TO 35 KHZ

The RIDGID SeekTech SR-20 is a lightweight, yet rugged utility line locator that provides all the information you need for locating underground cables and pipes. It features an omnidirectional antenna array and gradient antennas to quickly locate and follow the target line's path.

- ▶ **OMNIDIRECTIONAL ANTENNAS**
Capture the complete signal field for greater speed and accuracy
- ▶ **MAPPING DISPLAY**
Shows the utility's estimated position, direction and depth
- ▶ **GRADIENT ANTENNAS**
Deliver left/right guidance and help evaluate signal shape
- ▶ **FOLDABLE MAST**
For easy transport and storage

CATALOG NO.	DESCRIPTION
21893	SeekTech SR-20 Line Locator (Includes Case)
46918	SR-20 + ST-305 Transmitter + 4" Inductive Signal Clamp
66508	SR-20 + ST-305R Transmitter + Inductive Signal Clamp and Locator 18 V Adaptor



Accessories

CATALOG NO.	DESCRIPTION
20973	SeekTech 4" (100 mm) Inductive Signal Clamp
21898	SeekTech ST-305 Transmitter (5 W)
22173	SR-20/SR-24 Replacement Case (C-cell Batteries)
50798	SeekTech ST-305R Transmitter (5 W; 18 V Compatible)
66503	Locator 18 V Adaptor
66518	Locator 18 V Adaptor Kit with 2 Batteries and Charger
66498	SR-20/SR-24 Replacement Case (18 V Battery)

RIDGID® NAVITRACK SCOUT® LOCATOR

LOCATES RIDGID SEESNAKE® IN-LINE TRANSMITTERS, SONDES AND ENERGIZED METALLIC LINES

The NaviTrack Scout locator is designed to solve the most demanding sonde locators using the same omnidirectional locating technology as the full-featured SR® series utility line locators. The NaviTrack Scout offers continuous depth measurement when the receiver's orientation is correctly aligned.

- ▶ **MULTI-DIRECTIONAL ANTENNA**
No nulls or false peaks to complicate the locate
- ▶ **GREATER ACCURACY**
Verify the locate position using a micro-mapping display to mark distinctive poles in front of and behind the target
- ▶ **AUTOMATIC DEPTH**
Depth is automatically calculated and displayed when over the target



CATALOG NO.	DESCRIPTION
19238	NaviTrack Scout Locator

Accessories

CATALOG NO.	DESCRIPTION
16728	NaviTrack Battery Sonde, 512-AAA





RIDGID® SEEKTECH® ST-33Q+ TRANSMITTER

DIRECT CONNECT ANY FREQUENCY FROM 10 HZ TO 490 KHZ

The RIDGID SeekTech ST-33Q+ line transmitter with Bluetooth® is a powerful line transmitter for applying a signal to buried pipes and cables. It will direct connect using any frequency from 10Hz to 490kHz* with power up to 10 W. The ST-33Q+ is flexible - using D-Cell alkaline batteries or 18 V rechargeable RIDGID batteries for minimal interruptions on the job. And, its Bluetooth feature allows you to finish complex locates faster by wirelessly changing the transmitted frequency from the SR-24 receiver from up to 200 yards away.

▶ **MORE CURRENT**

Induce 8x more current than traditional transmitters allowing you to walk and trace further

▶ **POWER OPTIONS**

Runs on Lithium-Ion 18 V rechargeable battery, six D-cell batteries or an external 10-28 VDC power source

▶ **WIRELESS CONTROL**

Change transmitted frequency remotely from up to 200 yards away

* Up to 90 kHz for devices sold in Europe, Australia and New Zealand

CATALOG NO.	DESCRIPTION
49338	SeekTech ST-33Q+ Transmitter w/Bluetooth and 18 V Ridgid Battery
20973	SeekTech 4" (100 mm) Inductive Signal Clamp
44853	Set of (2) 2.0 Ah Batteries and (1) 120 V Charger



RIDGID SEEKTECH ST-510 TRANSMITTER

ENERGIZE METALLIC LINES FOR TRACING WITH A LOCATOR

The RIDGID SeekTech ST-510 transmitter features 10 W of fully variable power output. Its LCD display provides instant visual feedback on line resistance and current flow while audio feedback confirms a good circuit before beginning a trace.

▶ **VARIABLE POWER**

10 W of fully variable power output

▶ **LCD DISPLAY**

Instant visual feedback on line resistance and current flow

▶ **AUDIO CONFIRMATION**

Confirm a good circuit before beginning a trace

CATALOG NO.	DESCRIPTION
21903	SeekTech ST-510 Transmitter (10 W)

RIDGID® SEEKTECH® ST-305 AND ST-305R TRANSMITTERS

The RIDGID SeekTech ST-305 and ST-305R are compact yet powerful multi-frequency transmitters. They can be used with any RIDGID SeekTech or NaviTrack® receiver to find buried conductors such as pipes, cables, and wires.

▶ **THREE OPERATING MODES**

Apply a signal onto a buried conductor directly using the metallic leads, inductively with the internal antenna, or with the optional SeekTech Inductive Clamp accessory

▶ **MULTIPLE FREQUENCY OUTPUT OPTIONS**

Low, medium, and high frequencies from 1 to 262 kHz are available

▶ **FULL RECEIVER COMPATIBILITY**

Designed for use with any SeekTech or NaviTrack receiver to trace and mark the positions of buried pipes and cables



With its battery shoe, the ST-305R can be powered by a Li-Ion 18 V rechargeable battery or six alkaline or NiMH C-cell batteries.

CATALOG NO.	DESCRIPTION
21898	SeekTech ST-305 Transmitter (5 W)
50798	SeekTech ST-305R Transmitter (5 W; 18 V Compatible)
66933	SeekTech ST-305R System with Battery and Charger

RIDGID SEEKTECH INDUCTIVE SIGNAL CLAMP ACCESSORY

COMPATIBLE WITH ALL RIDGID TRANSMITTERS

The RIDGID SeekTech inductive signal clamp lets you apply a signal to a cable or pipe when direct connection is not possible.



CATALOG NO.	DESCRIPTION
20973	SeekTech 4" (100 mm) Inductive Clamp

RIDGID NAVITRACK BATTERY SONDE

MEETS FCC CLASS B AND EN 55022 CLASS B REQUIREMENTS

The RIDGID remote transmitter attaches to a drain cleaning cable or water jetter hose for in-line locating. It features a 512 Hz signal and flashing LED lights that indicate that the sonde is transmitting.



CATALOG NO.	DESCRIPTION
16728	NaviTrack Battery Sonde, 512 – AAA



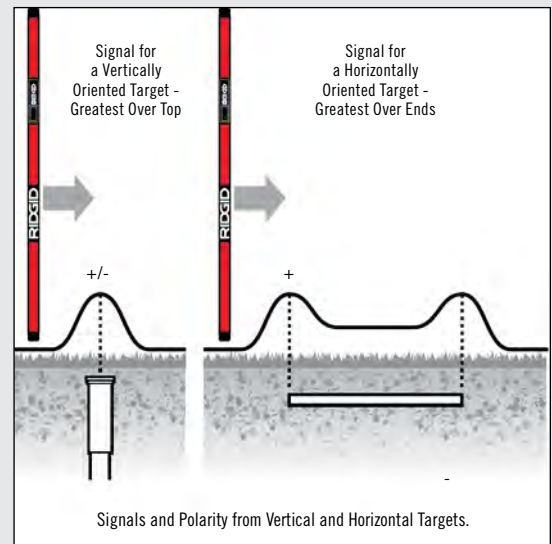
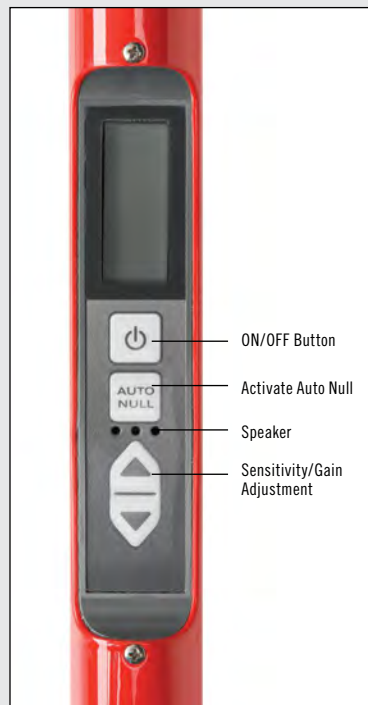
RIDGID® MR-10 MAGNETIC LOCATOR

QUICKLY LOCATE BURIED IRON OR STEEL OBJECTS

The RIDGID MR-10 Magnetic Locator quickly locates buried iron or steel objects like: valve/curb boxes, manhole covers, cast iron pipes, steel enclosures, well casings, reinforced septic tanks and survey pins. Its AutoNull feature blocks out nearby metallic interference like automobiles or chain link fences.

- ▶ **RUGGED DESIGN**
Includes carrying case and batteries
- ▶ **AUTONULL**
Blocks out metallic interference

CATALOG NO.	DESCRIPTION
53068	MR-10 Magnetic Locator with Case



RIDGID® A-FRAME FAULT LOCATOR

LOCATES INSULATION FAULTS UP TO 2 MEGOHMS

The RIDGID A-Frame Fault Locator simplifies the location of ground faults in direct buried insulated wire. Its lightweight powder-coated aluminum frame is incredibly durable while the weatherproof membrane buttons stand up to everything Mother Nature dishes out.

► **FAULT FINDER**

Locates insulation faults up to 2 megohms

► **RUGGED CONSTRUCTION**

Durable powder-coated aluminum frame and weatherproof membrane buttons



CATALOG NO.	DESCRIPTION
56613	A-Frame Fault Locator (FR-30) and Receiver (FT-103)

Accessories

CATALOG NO.	DESCRIPTION
20973	SeekTech 4" (100 mm) Inductive Signal Clamp
22163	RIDGID SeekTech SR-60 Line Locator w/Case
44473	RIDGID SR-24 Line Locator w/Bluetooth® and GPS
21893	RIDGID SeekTech SR-20 Line Locator w/Case

Replacement Parts

CATALOG NO.	DESCRIPTION
57753	Transmitter, FT-103 3 W
57758	A-Frame Receiver, FR-30 Fault Locator
57763	Ground Stake, FT-103
57768	Red and Black Test Leads, FT-103



TEST & MEASUREMENT

PREDICT. PREVENT. PERFORM.

RIDGID® thermal imagers feature the latest technology, including the best image in their class and an easy-to-use interface, to help you more efficiently predict problems before they happen and prevent costly downtime. Our ruggedly built thermal imagers - backed by the industry's best warranty - give you the confidence to take on any job.

KEY FEATURES

- | SUPERRESOLUTION EFFECTIVELY DOUBLES THE RESOLUTION OF YOUR CAMERA**
- | ϵ -ASSIST EASILY SETS THE EMISSIVITY AND THE REFLECTED TEMPERATURE (RTC) OF THE OBJECT BEING EXAMINED**
- | SCALEASSIST AUTOMATICALLY SETS THE OPTIMUM THERMAL IMAGE SCALE**

RIDGID



RIDGID® RT-3 THERMAL IMAGER

**INFRARED RESOLUTION – 160 × 120 PIXELS
(WITH SUPERRESOLUTION 320 × 240 PIXELS)**

The RIDGID RT-3 is the perfect entry into thermography. Visualize temperature differences from 0.12 °C, and automatically recognize hot-cold spots.

- ▶ **SCALEASSIST**
Automatically sets the optimum thermal image scale
- ▶ **MEASURING RANGE**
-20°C to +280°C
- ▶ **FIELD OF VIEW (FOV)**
– 31° × 23°

CATALOG NO.	DESCRIPTION
57533	RIDGID RT-3 Thermal Imager



RIDGID RT-5X THERMAL IMAGER

**INFRARED RESOLUTION – 160 × 120 PIXELS
(WITH SUPERRESOLUTION 320 × 240 PIXELS)**

The RIDGID RT-5x is an integrated digital thermal imager that lets you quickly send reports on site. It has a measuring range of -30°C to +650°C with a field of view ranging from – 31° × 23°.

- ▶ **SCALEASSIST**
Automatically sets the optimum thermal image scale
- ▶ **ε-ASSIST**
Easily sets the emissivity and the reflected temperature (RTC) of the object being examined
- ▶ **WI-FI ENABLED**
Quickly send reports from the field
- ▶ **RIDGID THERMAL APP**
View, edit, and analyze captured images from the thermal imager directly on your mobile device and share reports



RIDGID Thermal App*

CATALOG NO.	DESCRIPTION
57528	RIDGID RT-5x Thermal Imager with Wi-Fi

*Download the RIDGID Thermal App From





RIDGID® RT-7X THERMAL IMAGER

**INFRARED RESOLUTION – 240 × 180 PIXELS
(WITH SUPERRESOLUTION 480 × 360 PIXELS)**

The RIDGID RT-7x thermal imager has a 240×180 resolution that can identify temperature differences from 0.09 °C. It has a measuring range of -30°C to +650°C with a field of view ranging from -35° × 26°. Tap into the thermal app to quickly send reports on site.

- ▶ **SCALEASSIST**
Automatically sets the optimum thermal image scale
- ▶ **E-ASSIST**
Easily sets the emissivity and the reflected temperature (RTC) of the object being examined
- ▶ **WI-FI ENABLED**
Quickly send reports from the field
- ▶ **RIDGID THERMAL APP**
View, edit, and analyze captured images from the thermal imager directly on your mobile device and share reports



RIDGID Thermal App*

CATALOG NO.	DESCRIPTION
57523	RIDGID RT-7x Thermal Imager with Wi-Fi



RIDGID RT-9X THERMAL IMAGER

**INFRARED RESOLUTION – 320 × 240 PIXELS
(WITH SUPERRESOLUTION 640 × 480 PIXELS)**

The RIDGID RT-9x is a professional thermal imager with the highest resolution RIDGID has to offer. The digital camera can identify temperature differences from 0.06°C. It has a measuring range of -30°C to +650°C with a field of view ranging from -42° × 30°. Tap into the thermal app to quickly send reports on site.

- ▶ **SCALEASSIST**
Automatically sets the optimum thermal image scale
- ▶ **E-ASSIST**
Easily sets the emissivity and the reflected temperature (RTC) of the object being examined
- ▶ **WI-FI ENABLED**
Quickly send reports from the field
- ▶ **DIGITAL ZOOM**
2x, 3x and 4x
- ▶ **RIDGID THERMAL APP**
View, edit, and analyze captured images from the thermal imager directly on your mobile device and share reports



RIDGID Thermal App*

CATALOG NO.	DESCRIPTION
57518	RIDGID RT-9x Thermal Imager with Wi-Fi

*Download the RIDGID Thermal App From





MICRO IR-200 INFRARED THERMOMETER

QUICK AND ACCURATE SURFACE TEMPERATURE READINGS

- ▶ **ULTRA-SHARP DUAL CLASS II LASERS**
Easily identify the surface area being measured
- ▶ **ACCURATE MEASUREMENTS**
30-to-1 distance-to-spot-ratio lets you take accurate measurements from further away
- ▶ **ADJUSTABLE EMISSIVITY**
Measure the temperature of virtually any surface
- ▶ **CUSTOM RANGE**
Audible and visual high and low alarms alert you to temperatures outside the range you set

CATALOG NO.	DESCRIPTION
36798	micro IR-200 Non-Contact Infrared Thermometer



MICRO CD-100 GAS DETECTOR

THE FAST AND EASY WAY TO IDENTIFY COMBUSTIBLE GASES

- ▶ **TRI-MODE DETECTION™**
Visual, audible or vibration alerts can be adjusted for your environment
- ▶ **ONE-TOUCH ADJUSTMENT**
Change sensitivity settings with the touch of a button
- ▶ **DETECT IN CONFINED SPACES**
16" (40 cm) flexible probe is perfect for hard-to-reach areas
- ▶ **IN-FIELD SERVICEABILITY**
Replace the sensor on the job for more up-time

CATALOG NO.	DESCRIPTION
36163	micro CD-100 Combustible Gas Detector



LM-400



LM-100

MICRO LM-400 ADVANCED LASER DISTANCE METER

MICRO LM-100 LASER DISTANCE METER

QUICK DISTANCE READINGS AND ADVANCED CALCULATIONS SHARABLE BY SMARTPHONE OR TABLET

- ▶ **CLEAR VIEWING**
Large, backlit four-line display
- ▶ **INCLINATION ANGLE MEASUREMENT**
Get indirect measurements for hard-to-reach areas
- ▶ **BLUETOOTH® CONNECTION**
View, store and share data via smartphone or tablet (LM-400 only)
- ▶ **RIDGIDSKETCH™ APP**
Annotate measurements within a picture

CATALOG NO.	DESCRIPTION
36813	micro LM-400 Laser Distance Meter w/BLE
36158	micro LM-100 Laser Distance Meter

*Download the RIDGIDSketch App From



RIDGIDSketch App*

RIDGID

