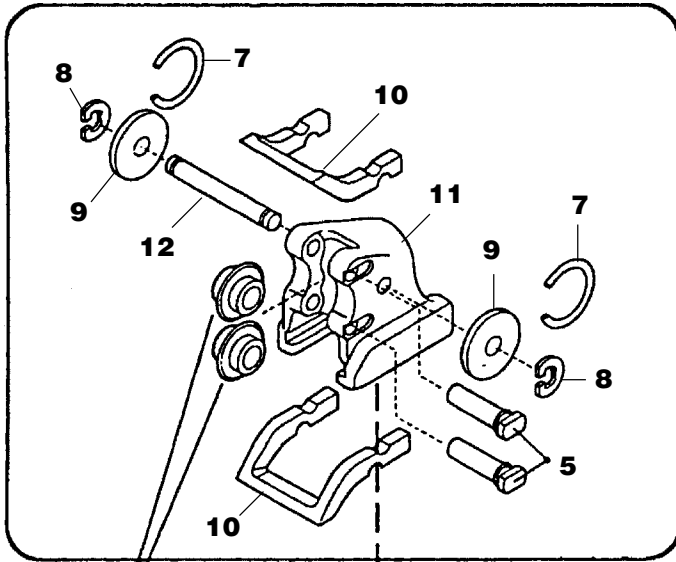




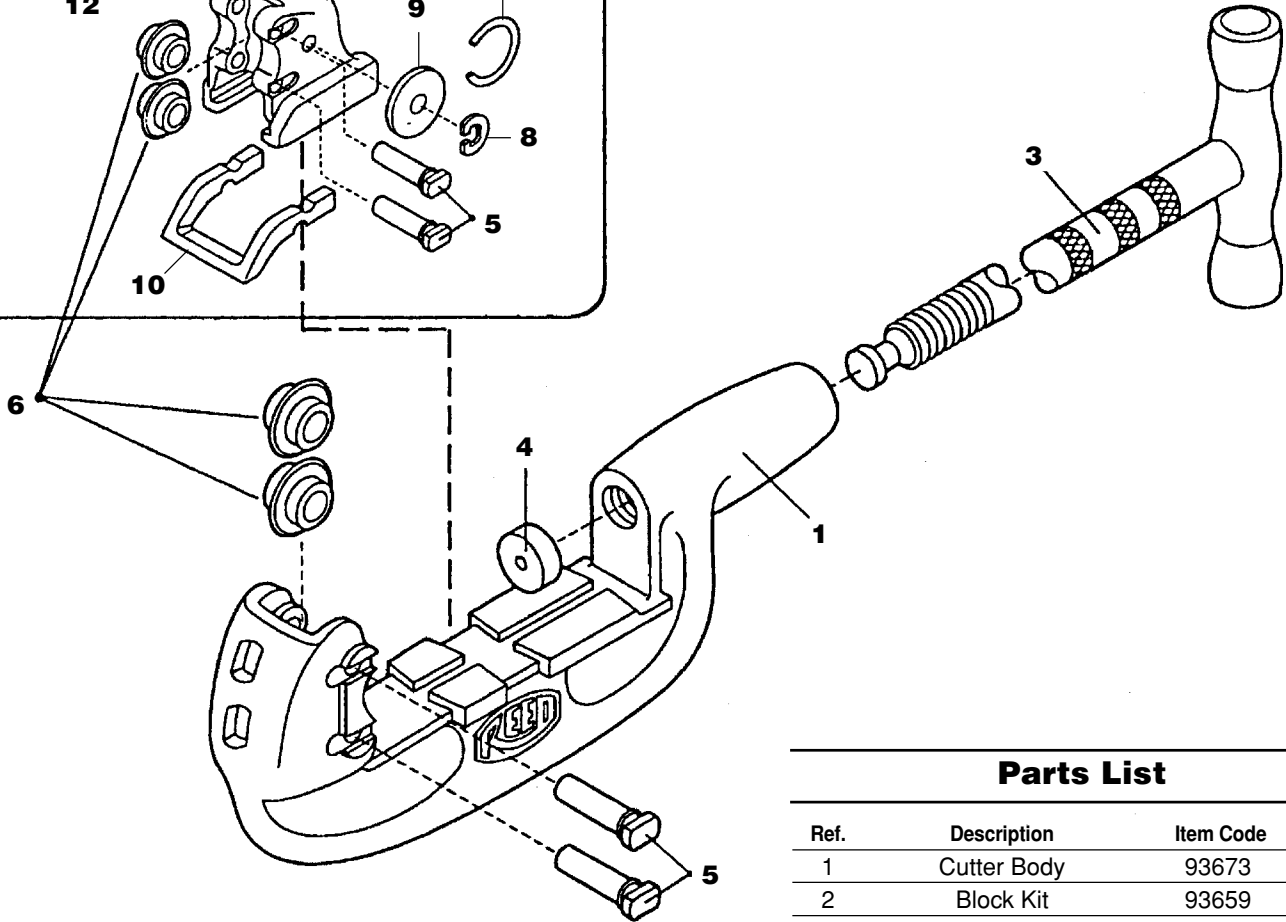
PIPE TOOLS & VISES
SINCE 1896

Steel Pipe Cutter With Guides (Model 2-4WGA)

Replacement Parts



2
Block Kit #93659
does not include cutter
wheels or wheel pins.



Parts List

Ref.	Description	Item Code	Qty.
1	Cutter Body	93673	1
2	Block Kit	93659	1
3	Handle Assembly	93681	1
4	Thrust Cup	93679	1
5	Wheel Pin	93310	2
6	Cutter Wheel	03612	2
7	Guide Spring	40017	1
8	Retaining Ring	30009	2
9	Guide Washer	40022	2
10	Guide Assembly	93683	2
11	Cutter Block	93680	1
12	Guide Pin	93685	1

Reed Manufacturing Company
1425 West 8th Street
Erie, PA 16502 USA

QUALITY
& Service
that Last a Lifetime

Phone: 800-666-3691 or 814-452-3691
Fax: 800-456-1697 or 814-455-1697
www.reedmfgco.com

RP-308-95